



We are building solutions.

FRAMED CABINETS SPECIFICATIONS





## FRAMED CABINETRY SPECIFICATIONS TABLE OF CONTENTS

<b>FRAMED CONSTRUCTION AND STYLES</b> . . . . .	<b>ii-xii</b>	<b>FRAMED TALLS</b> . . . . .	<b>C1-C8</b>
Door Style Collections . . . . .	ii	<b>STANDARD</b>	
Framed Construction and Options . . . . .	iii	Pantry Cabinets . . . . .	C1-C2
Framed Door Style Specifications . . . . .	iv-xii	Bookshelves . . . . .	C3
<b>FRAMED WALLS</b> . . . . .	<b>A1-A14</b>	Linen Cabinets . . . . .	C4
Wall Cabinets . . . . .	A1-A3	Oven Cabinets . . . . .	C5-C6
Refrigerator Cabinets . . . . .	A4	<b>UNIVERSAL ACCESS</b>	
Accessory Wall Cabinets . . . . .	A5-A7	Pantry Cabinets . . . . .	C7-C8
Corner / Blind Wall Cabinets . . . . .	A8-A9	<b>FRAMED ACCESSORIES</b> . . . . .	<b>D1-D12</b>
Recessed Bottom Wall Cabinets . . . . .	A10-A13	Panels, Fillers, and Support . . . . .	D1-D3
Bathroom Wall Cabinets . . . . .	A14	Decorative End Panels . . . . .	D4-D5
<b>FRAMED BASES</b> . . . . .	<b>B1-B38</b>	End Skins and Skirts . . . . .	D6
<b>STANDARD</b>		Miscellaneous Accessories . . . . .	D7
Base Cabinets . . . . .	B1-B2	Valance . . . . .	D8
Accessory Base Cabinets . . . . .	B3-B4	Toe Kick Overlays . . . . .	D8
Blind / Corner Base Cabinets . . . . .	B5-B6	Moldings . . . . .	D9-D10
Base Cabinets with Roll Out Shelves . . . . .	B7-B8	Touch-Up Supplies . . . . .	D11-D12
Appliance Base Cabinets . . . . .	B9	<b>DECORATIVE HARDWARE</b> . . . . .	<b>I1-I4</b>
Peninsula Base Cabinets . . . . .	B9	<b>CABINETRY CARE GUIDE, AND WARRANTY</b> . . . . .	<b>J1-J2</b>
Sink Base Cabinets . . . . .	B10-B12	<b>INDEX</b> . . . . .	<b>K1-K4</b>
Accessible/UFAS Base Cabinets . . . . .	B13-B14		
Drawer Skirts . . . . .	B15		
<b>UNIVERSAL ACCESS</b>			
Base Cabinets . . . . .	B16-B17		
Accessory Base Cabinets . . . . .	B18-B19		
Blind / Corner Base Cabinets . . . . .	B20-B21		
Appliance Base Cabinets . . . . .	B21		
Sink Base Cabinets . . . . .	B22-B23		
Accessible/UFAS Base Cabinets . . . . .	B24-B25		
<b>VANITY</b>			
Sink Base Cabinets . . . . .	B26-B27		
Full Height Sink Base Cabinets . . . . .	B28		
Door and Drawer Base Cabinets . . . . .	B29		
Drawer Base Cabinets . . . . .	B30		
Combo Sink Base Cabinets . . . . .	B31-B34		
UFAS Vanity Sink Base Cabinets . . . . .	B35		
<b>DESK</b>			
Door and Drawer Base Cabinets . . . . .	B36		
Full Height Base Cabinets . . . . .	B37		
Accessory Desk Base Cabinets . . . . .	B38		

## LEEDO FRAMED DOOR STYLE COLLECTIONS

---

Leedo framed cabinetry is offered in six different collections. Choose from our Maple, Paint, Oak, Thermofoil, TruTouch or Laminate door styles to create the perfect look for any project.

**Maple** — Maple has been the choice of wood for fine furniture craftsmanship for centuries. Maple is a strong wood with a subtle grain pattern and a smooth, uniform appearance that works well with both contemporary and traditional settings. Available in a wide selection of door styles and finishes, the natural beauty of maple cabinetry will enhance the style and design of any home.

---

**Paint** — Beautiful paint requires the perfect canvas. Our enamel painted door styles start with a dense fiberboard that provides the perfect canvas for painted cabinetry. The end product is visually superior to painted wood products that can have visible grain patterns and cracks at door joints. Our painted doors have a consistent and smooth finish and a clear top coat to provide an extra layer of protection. Timeless and suitable for any décor, painted cabinetry is always in style.

---

**Oak** — Oak hardwood has a pronounced grain pattern and texture that proudly displays the beauty of natural wood. These inherent characteristics of oak help to mask minor dents and scratches. This classic wood and its unique visual qualities have made it a popular choice for traditional décor.

---

**Thermofoil** — Thermofoil door styles are created through an intense heat and pressure bonding process where rigid vinyl is applied to a sculpted fiberboard to provide a uniform and durable finish. Offered in a wide variety of exterior colors, we also offer your choice of white or natural maple interior. The simple clean lines of our thermofoil door styles create a clean look that works in almost any design or décor.

---

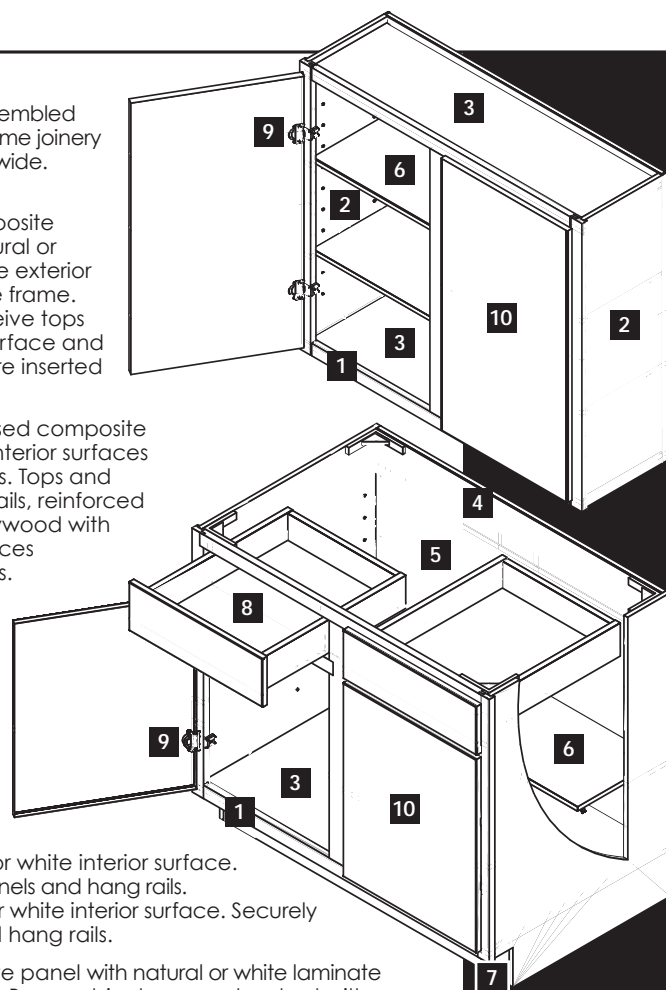
**TruTouch** — TruTouch is a textured, high-definition decorative finish created through an embossed thermofused lamination process. Through this state-of-the-art process, the decorative overlay is applied to an industrial grade engineered wood substrate to create a detailed wood veneer appearance. TruTouch finish has superior resistance to scratches, scuffs, and stains yet has the visual beauty of fine wood furniture.

---

**Laminate** — Laminate door styles have an appearance of wood and are available in smooth and textured finishes. The slab styling of our laminate doors provides a very durable finish that is easy to clean and perfect for any modern or contemporary design.

## FRAMED CONSTRUCTION AND OPTIONS

- 1 FRONT FRAME** — 3/4" thick kiln dried solid hardwood. Assembled under pressure with mortise and tenon construction. Frame joinery reinforced with glue and nails. Stiles and Rails are 1-1/2" wide. Mullions are 3" wide.
- 2 END PANELS** — **Standard:** 1/2" thick wood based composite panel dadoed to receive tops and bottoms, with natural or white laminate interior surface and matching laminate exterior surfaces. All end panels are inserted into dado in face frame. **Plywood Upgrade:** 1/2" thick plywood dadoed to receive tops and bottoms, with natural or white laminate interior surface and matching laminate exterior surfaces. All end panels are inserted into dado in face frame.
- 3 TOP/BOTTOM PANELS** — **Standard:** 1/2" thick wood based composite panel with natural or white laminate on exterior and interior surfaces for wall cabinets and interior surface for base cabinets. Tops and bottoms are set into dados in end panels and front rails, reinforced with glue and staples. **Plywood Upgrade:** 1/2" thick plywood with natural or white laminate on exterior and interior surfaces for wall cabinets and interior surface for base cabinets. Tops and bottoms are set into dados in end panels and front rails, reinforced with glue and staples.
- 4 HANG RAILS** — **Standard:** Wall and base cabinets have 1/2" thick wood based composite hanging rail. Assembled between the end panels at the top and bottom of cabinets behind the back panel. **Plywood Upgrade:** Wall and base cabinets have 1/2" thick plywood hanging rail. Assembled between the end panels at the top and bottom of cabinets behind the back panel.
- 5 BACK PANEL** — **Standard:** 1/8" thick MDF with natural or white interior surface. Securely glued with industrial grade hot melt to end panels and hang rails. **Plywood Upgrade:** 3.6mm thick plywood with natural or white interior surface. Securely glued with industrial grade hot melt to end panels and hang rails.
- 6 SHELVES** — **Standard:** 1/2" thick wood based composite panel with natural or white laminate on both faces and matching edgeband on front edge. Base cabinets come standard with half depth adjustable shelves. Wall cabinets feature full depth adjustable shelves. Butt door wall cabinets that are 30" and wider come standard with 3/4" thick shelves. All base cabinets that are 30" and wider come standard with 3/4" thick shelves. **Plywood Upgrade:** 1/2" thick plywood panel with natural or white laminate on both faces and matching edgeband on front edge. **Upgrade:** 3/4" shelf thickness available. **Full depth shelf (FDS) upgrade:** available on select base cabinets.
- 7 TOE KICK** — **Standard:** 1/2" thick unfinished wood based composite panel assembled between end panels. Toe kick is 4-1/2" high for standard base cabinets and 5-1/2" high for universal access base cabinets. **Plywood Upgrade:** 1/2" thick unfinished plywood panel assembled between end panels. Toe kick is 4-1/2" high for standard base cabinets and 5-1/2" high for universal access base cabinets. **No Toe Kick (NTK) Upgrade:** available on select vanity cabinets.
- 8 DRAWER BOX** — **Standard:** 1/2" thick laminate wood based composite panel sides and ends. Rabbet-jointed, assembled with glue and nails. Drawer bottoms are 1/4" laminated composite panel except for 20" wide and narrower drawer boxes which have 1/8" laminated MDF bottoms. **Plywood Upgrade:** 1/2" thick plywood sides and ends. Rabbet-jointed, assembled with glue and nails. Drawer bottoms are nominal 1/4" laminated plywood. Bottoms are captured in dados in the drawer sides. **Plywood Dovetail Upgrade:** 1/2" thick plywood sides and ends. Dovetail construction. Drawer bottoms are nominal 1/4" laminated plywood. Bottoms are captured in dados in the drawer sides.
- 9 HINGE** — **Standard:** 6-way adjustable, concealed steel hinges. **Upgrade:** 6-way adjustable, concealed steel hinges with soft-close feature.
- 10 DOORS** — Please refer to individual door style specifications



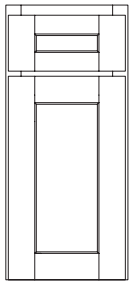
**DRAWER GUIDE OPTIONS** — **Standard:** 100lb epoxy coated side mount drawer guides. **Upgrade:** Side mount full extension ball bearing guides. **Upgrade:** Side mount full extension ball bearing guides with soft-close feature.

**ALTERED DEPTH (AD) OPTION** — Most wall cabinets can be increased to a 15" or 18" depth. Select base cabinets can be decreased to a 15", 18" or 21" depth. AD availability is noted by cabinet.

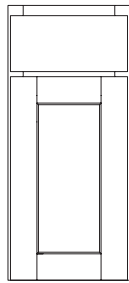
FRAMED DOOR STYLES BY COLLECTION

MAPLE

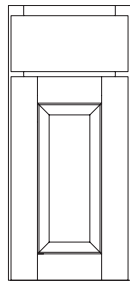
FULL OVERLAY



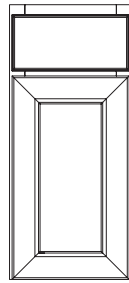
Alliance 5PC



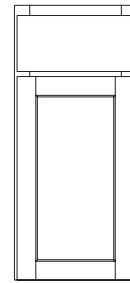
Ashton



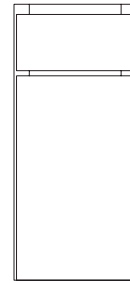
Buckingham



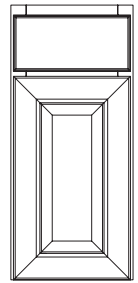
Churchill



Concord Shaker

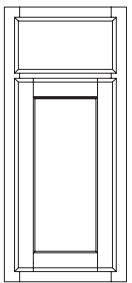


Plano

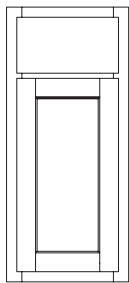


Roosevelt

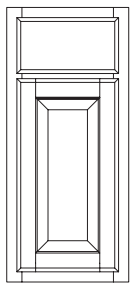
STANDARD REVEAL



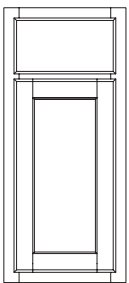
Fillmore



Hartford Shaker



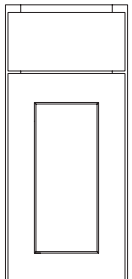
Radisson



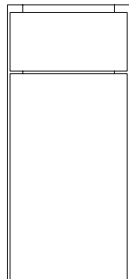
Rainier

PAINT

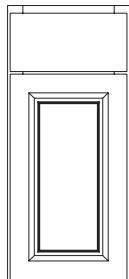
FULL OVERLAY



Chandler



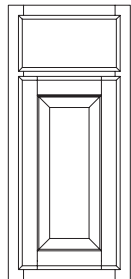
Pearland



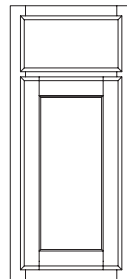
Rockford

OAK

STANDARD REVEAL



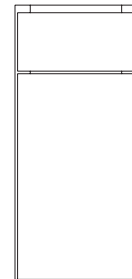
Brookshire



Huntington

TRU TOUCH

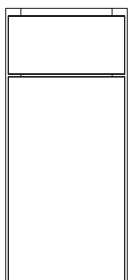
FULL OVERLAY



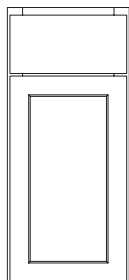
London

THERMOFOIL

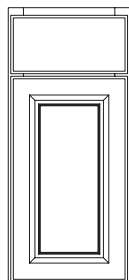
FULL OVERLAY



Midtown

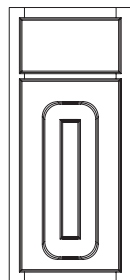


Savannah



Vancouver

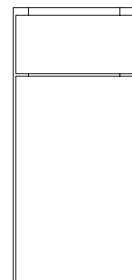
STANDARD REVEAL



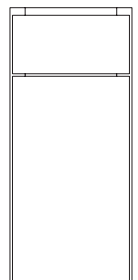
Bridgeport

LAMINATE

FULL OVERLAY

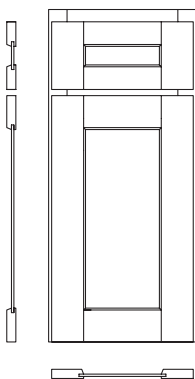


Lucina  
(textured)



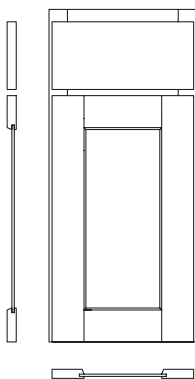
Astoria  
(smooth)

## FRAMED MAPLE DOORS



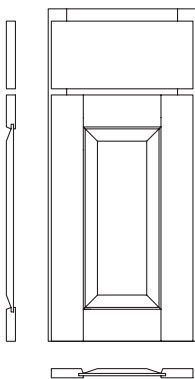
### ALLIANCE 5PC

- Flat panel shaker door style with oversized rails and stiles
- Hardwood door and drawer front
- Full overlay
- Five piece drawer front
- Route for glass door option available for wall cabinets.  
Doors prepared for glass do not include glass or glass fasteners.
- Hardware is required



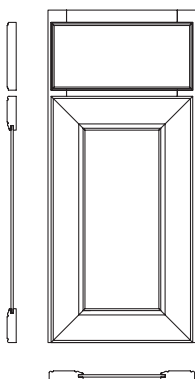
### ASHTON

- Flat panel shaker door style with oversized rails and stiles
- Hardwood door and drawer front
- Full overlay
- Route for glass door option available for wall cabinets.  
Doors prepared for glass do not include glass or glass fasteners.
- Hardware is required



### BUCKINGHAM

- Raised panel shaker door style with oversized rails and stiles
- Hardwood door and drawer front
- Full overlay
- Route for glass door option available for wall cabinets.  
Doors prepared for glass do not include glass or glass fasteners.
- Hardware is required



### CHURCHILL

- Flat panel door style with oversized rails and stiles
- Hardwood door and drawer front
- Full overlay
- Route for glass door option available for wall cabinets.  
Doors prepared for glass do not include glass or glass fasteners.
- Hardware is required

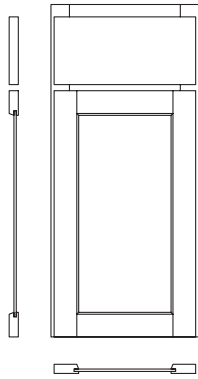
MAPLE DOOR  
STYLES ARE  
AVAILABLE IN  
THE FOLLOWING  
FINISHES:

Ash  
Bordeaux  
Caramel  
Chestnut  
Espresso  
Java  
Natural  
Nutmeg  
Oyster  
Pecan  
Spice

## FRAMED MAPLE DOORS

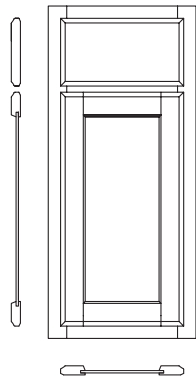
MAPLE DOOR  
STYLES ARE  
AVAILABLE IN  
THE FOLLOWING  
FINISHES:

Ash  
Bordeaux  
Caramel  
Chestnut  
Espresso  
Java  
Natural  
Nutmeg  
Oyster  
Pecan  
Spice



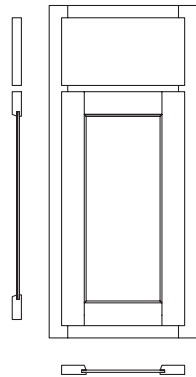
### CONCORD SHAKER

- Flat panel shaker door style with cope-joined construction
- Hardwood door and drawer front
- Full overlay
- Route for glass door option available for wall cabinets.  
Doors prepared for glass do not include glass or glass fasteners.
- Hardware is required



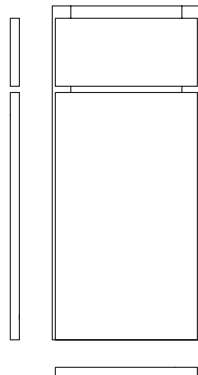
### FILLMORE

- Flat panel door style with cope-joined construction
- Hardwood door and drawer front
- Standard reveal
- Back bevel feature
- Route for glass door option available for wall cabinets.  
Doors prepared for glass do not include glass or glass fasteners.
- Hardware is suggested



### HARTFORD SHAKER

- Flat panel shaker door style with cope-joined construction
- Hardwood door and drawer front
- Standard reveal
- Route for glass door option available for wall cabinets.  
Doors prepared for glass do not include glass or glass fasteners.
- Hardware is suggested

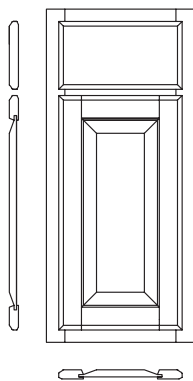


### PLANO

- Hardwood veneer slab door style
- Hardwood door and drawer front
- Full overlay
- Hardware is required

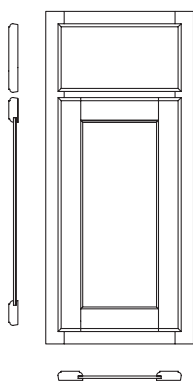


## FRAMED MAPLE DOORS



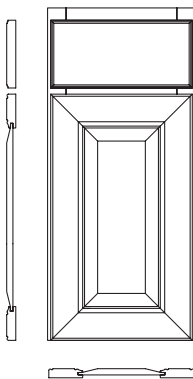
### RADISSON

- Raised panel door style with cope-joined construction
- Hardwood door, drawer front, and frame
- Standard reveal
- Back bevel feature
- Route for glass door option available for wall cabinets.  
Doors prepared for glass do not include glass or glass fasteners.
- Hardware is suggested



### RAINIER

- Flat panel door style with cope-joined construction
- Hardwood door, drawer front, and frame
- Standard reveal
- Back panel feature
- Route for glass door option available for wall cabinets.  
Doors prepared for glass do not include glass or glass fasteners.
- Hardware is suggested



### ROOSEVELT

- Raised panel door style with oversized beaded rails and stiles
- Hardwood door and drawer front
- Full overlay
- Route for glass door option available for wall cabinets.  
Doors prepared for glass do not include glass or glass fasteners.
- Hardware is required

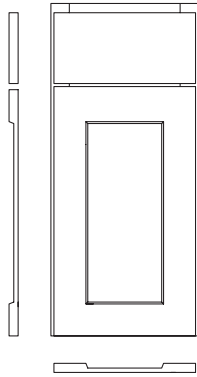
### MAPLE DOOR STYLES ARE AVAILABLE IN THE FOLLOWING FINISHES:

Ash  
Bordeaux  
Caramel  
Chestnut  
Espresso  
Java  
Natural  
Nutmeg  
Oyster  
Pecan  
Spice

## FRAMED PAINTED DOORS

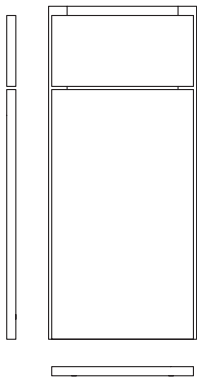
PAINT DOOR  
STYLES ARE  
AVAILABLE IN  
THE FOLLOWING  
FINISHES:

Atlantic Grey  
Baltic Beige  
Mid Grey  
Terra Grey  
White



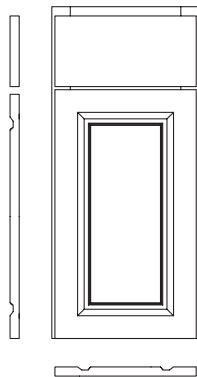
### CHANDLER

- Shaker door style
- 3/4" thick fiberboard door and drawer front
- Durable and easy to clean
- Full overlay
- Color matching back
- Door and drawer front have clear top coat over painted finish
- Hardware is required



### PEARLAND

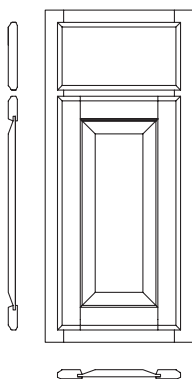
- Slab door style
- 3/4" thick fiberboard door and drawer front
- Durable and easy to clean
- Full overlay
- Color matching back
- Door and drawer front have clear top coat over painted finish
- Hardware is required



### ROCKFORD

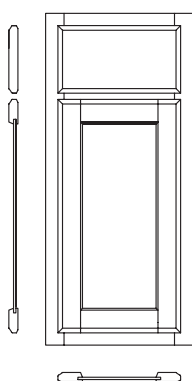
- Raised panel door style
- 3/4" thick fiberboard door and drawer front
- Durable and easy to clean
- Full overlay
- Color matching back
- Door and drawer front have clear top coat over painted finish
- Hardware is required

## FRAMED OAK DOORS



### BROOKSHIRE

- Raised panel door style with cope-joined construction
- North American red oak door, drawer front, and frame
- Standard reveal
- Back bevel feature
- Route for glass door option available for wall cabinets.  
Doors prepared for glass do not include glass or glass fasteners.
- Hardware is suggested



### HUNTINGTON

- Flat panel door style with cope-joined construction
- North American red oak door, drawer front, and frame
- Standard reveal
- Back bevel feature
- Route for glass door option available for wall cabinets.  
Doors prepared for glass do not include glass or glass fasteners.
- Hardware is suggested

OAK DOOR  
STYLES ARE  
AVAILABLE IN  
THE FOLLOWING  
FINISHES:

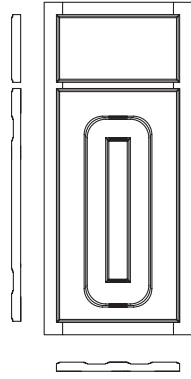
Bordeaux  
Espresso  
Java  
Natural  
Nutmeg  
Spice

## FRAMED THERMOFOIL DOORS

THERMOFOIL DOOR STYLES ARE AVAILABLE IN THE FOLLOWING FINISHES:

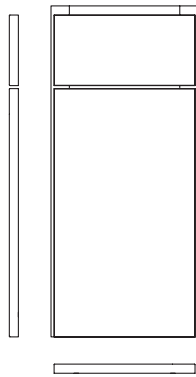
Ambassador Oak  
 Baltic Beige  
 Chocolate Pecan  
 Dove Grey  
 Driftwood  
 Euro Wenge  
 Java  
 Linea Black  
 Linea White  
 Olivewood  
 Smooth White  
 Snow White Gloss\*  
 Steel Grey  
 Terra Grey High Gloss\*  
 Vintage Grey  
 Western Wheat  
 Wood Grain White

\*Only the door and drawer front material is high gloss.



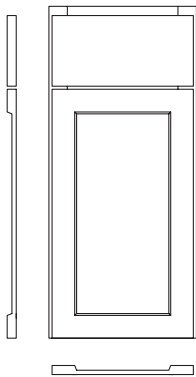
## BRIDGEPORT

- 3D laminate raised panel door with stepped edge treatment
- 5/8" thick melamine-backed doors and drawer fronts
- **Available only in the following colors: Baltic Beige, Dove Grey, Java, Smooth White, Steel Grey, and Western Wheat**
- Solid wood frame finished to match
- Recommended to use solid wood or veneer wood fillers to best match the cabinet frame color
- Durable and easy to clean
- Standard reveal
- Hardware is suggested



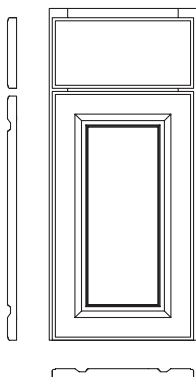
## MIDTOWN

- 3D laminate slab door with decreased reveal between door and drawer front
- 5/8" thick melamine-backed doors and drawer fronts
- Solid wood frame finished to match
- Durable and easy to clean
- Full overlay
- Hardware is required



## SAVANNAH

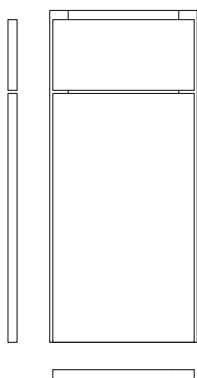
- 3D laminate flat panel, shaker door style
- 5/8" thick melamine-backed doors and drawer fronts
- Solid wood frame finished to match
- Durable and easy to clean
- Full overlay
- Hardware is required



## VANCOUVER

- 3D laminate raised panel door style with routed edges
- 5/8" thick melamine-backed doors and drawer fronts
- Solid wood frame finished to match
- Durable and easy to clean
- Full overlay
- Hardware is required

## FRAMED TRU TOUCH DOOR



### LONDON

- Thermofused laminate slab door style with TruTouch finish\*
- 5/8" thick door and drawer front
- 1mm thick edgebanding on four sides
- Vertical grain on door and drawer fronts
- Durable, scratch resistant melamine door resists damage and cleans easily
- Full overlay
- Hardware is required

\*Leedo's TruTouch Thermofused Technology replicates both the beauty and feel of natural wood cabinets, producing a visually stunning, realistic high-end product with extraordinary durability.

TRU TOUCH  
DOOR STYLE IS  
AVAILABLE IN  
THE FOLLOWING  
FINISHES:

Chestnut  
Espresso  
Grey Cashmere  
Obsidian Ash  
Pecan  
Spice  
White Tusk

**FRAMED LAMINATE DOORS**

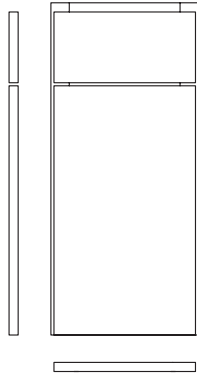
LAMINATE DOOR STYLES ARE AVAILABLE IN THE FOLLOWING FINISHES:

**TEXTURED**

- Grey Pine
- Light Teak
- Midnight Teak
- Texas Cypress
- Weathered Oak

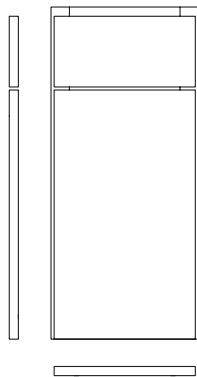
**SMOOTH**

- White



**ASTORIA (smooth)**

- Melamine slab door on particleboard
- 5/8" thick door and drawer front
- Edgebanding on four sides
- Durable and easy to clean
- Full overlay
- Door back matches door front
- Hardware is required

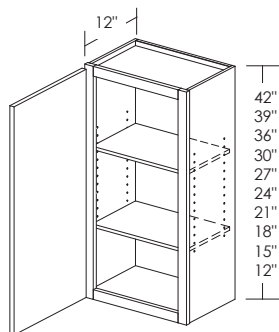


**LUCINA (textured)**

- Melamine slab door on particleboard
- 5/8" thick door and drawer front
- Door back matches door front
- Edgebanding on four sides
- Durable and easy to clean
- Full overlay
- Hardware is required

## WALL CABINETRY

AD = Altered depth option



## SINGLE DOOR WALL

- Two hinges per door, except 42" high cabinets have three hinges per door
- Specify L or R door hinging
- AD 15"

**42" High (3 shelves)**

W0942 L or R  
 W1242 L or R  
 W1542 L or R  
 W1842 L or R  
 W2142 L or R  
 W2442 L or R

**24" High (1 shelf)**

W0924 L or R  
 W1224 L or R  
 W1524 L or R  
 W1824 L or R  
 W2124 L or R  
 W2424 L or R

**39" High (2 shelves)**

W0939 L or R  
 W1239 L or R  
 W1539 L or R  
 W1839 L or R  
 W2139 L or R  
 W2439 L or R

**21" High (1 shelf)**

W0921 L or R  
 W1221 L or R  
 W1521 L or R  
 W1821 L or R  
 W2121 L or R  
 W2421 L or R

**36" High (2 shelves)**

W0936 L or R  
 W1236 L or R  
 W1536 L or R  
 W1836 L or R  
 W2136 L or R  
 W2436 L or R

**18" High (No shelf)**

W0918 L or R  
 W1218 L or R  
 W1518 L or R  
 W1818 L or R  
 W2118 L or R  
 W2418 L or R

**30" High (2 shelves)**

W0930 L or R  
 W1230 L or R  
 W1530 L or R  
 W1830 L or R  
 W2130 L or R  
 W2430 L or R

**15" High (No Shelf)**

W0915 L or R  
 W1215 L or R  
 W1515 L or R  
 W1815 L or R  
 W2115 L or R  
 W2415 L or R

**27" High (1 shelf)**

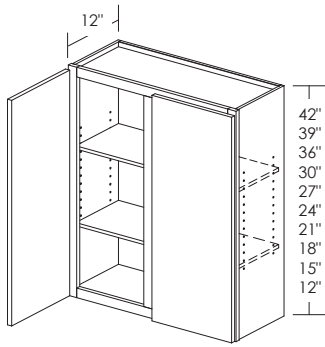
W0927 L or R  
 W1227 L or R  
 W1527 L or R  
 W1827 L or R  
 W2127 L or R  
 W2427 L or R

**12" High (No shelf)**

W0912 L or R  
 W1212 L or R  
 W1512 L or R  
 W1812 L or R  
 W2112 L or R  
 W2412 L or R

## WALL CABINETRY

AD = Altered depth option



## DOUBLE DOOR WALL

- Two hinges per door, except 42" high cabinets have three hinges per door
- AD 15"

**42" High (3 shelves)**

W2742  
W3042  
W3342  
W3642  
W3942  
W4242  
W4542  
W4842

**24" High (1 shelf)**

W2724  
W3024  
W3324  
W3624  
W3924  
W4224  
W4524  
W4824

**39" High (2 shelves)**

W2739  
W3039  
W3339  
W3639  
W3939  
W4239  
W4539  
W4839

**21" High (1 shelf)**

W2721  
W3021  
W3321  
W3621  
W3921  
W4221

**36" High (2 shelves)**

W2736  
W3036  
W3336  
W3636  
W3936  
W4236  
W4536  
W4836

**18" High (No shelf)**

W2718  
W3018  
W3318  
W3618  
W3918  
W4218

**30" High (2 shelves)**

W2730  
W3030  
W3330  
W3630  
W3930  
W4230  
W4530  
W4830

**15" High (No shelf)**

W2715  
W3015  
W3315  
W3615  
W3915

**27" High (1 shelf)**

W2727  
W3027  
W3327  
W3627  
W3927  
W4227  
W4527  
W4827

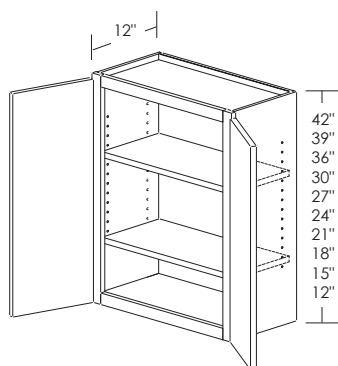
**12" High (No shelf)**

W2712  
W3012  
W3312  
W3612  
W3912



## WALL CABINETRY

AD = Altered depth option



## BUTT DOOR WALL

- Two hinges per door, except 42" high cabinets have three hinges per door
- AD 15"

**42" High (3 shelves)**

W2442BD  
W2742BD  
W3042BD  
W3342BD  
W3642BD

**24" High (1 shelf)**

W2424BD  
W2724BD  
W3024BD  
W3324BD  
W3624BD

**39" High (2 shelves)**

W2439BD  
W2739BD  
W3039BD  
W3339BD  
W3639BD

**21" High (1 shelf)**

W2421BD  
W2721BD  
W3021BD  
W3321BD  
W3621BD

**36" High (2 shelves)**

W2436BD  
W2736BD  
W3036BD  
W3336BD  
W3636BD

**18" High (No shelf)**

W2418BD  
W2718BD  
W3018BD  
W3318BD  
W3618BD

**30" High (2 shelves)**

W2430BD  
W2730BD  
W3030BD  
W3330BD  
W3630BD

**15" High (No shelf)**

W2415BD  
W2715BD  
W3015BD  
W3315BD  
W3615BD

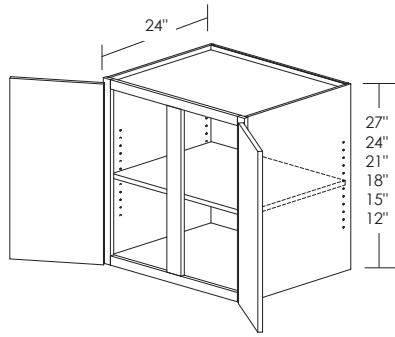
**27" High (1 shelf)**

W2427BD  
W2727BD  
W3027BD  
W3327BD  
W3627BD

**12" High (No shelf)**

W2412BD  
W2712BD  
W3012BD  
W3312BD  
W3612BD

## WALL CABINETRY



### 24" DEEP DOUBLE DOOR REFRIGERATOR WALL

- Two hinges per door
- Must be installed between tall cabinetry and/or walls of equal or greater depth for proper support. These should never be hung on a wall by themselves.

#### 27" High (1 shelf)

W2727X24  
W3027X24  
W3327X24  
W3627X24  
W3927X24

#### 18" High (No shelf)

W2718X24  
W3018X24  
W3318X24  
W3618X24  
W3918X24

#### 24" High (1 shelf)

W2724X24  
W3024X24  
W3324X24  
W3624X24  
W3924X24

#### 15" High (No shelf)

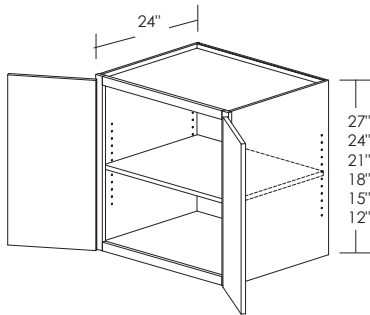
W2715X24  
W3015X24  
W3315X24  
W3615X24  
W3915X24

#### 21" High (1 shelf)

W2721X24  
W3021X24  
W3321X24  
W3621X24  
W3921X24

#### 12" High (No shelf)

W2712X24  
W3012X24  
W3312X24  
W3612X24  
W3912X24



### 24" DEEP BUTT DOOR REFRIGERATOR WALL

- Two hinges per door
- Must be installed between tall cabinetry and/or walls of equal or greater depth for proper support. These should never be hung on a wall by themselves.

#### 27" High (1 shelf)

W2727BDX24  
W3027BDX24  
W3327BDX24  
W3627BDX24

#### 18" High (No shelf)

W2718BDX24  
W3018BDX24  
W3318BDX24  
W3618BDX24

#### 24" High (1 shelf)

W2724BDX24  
W3024BDX24  
W3324BDX24  
W3624BDX24

#### 15" High (No shelf)

W2715BDX24  
W3015BDX24  
W3315BDX24  
W3615BDX24

#### 21" High (1 shelf)

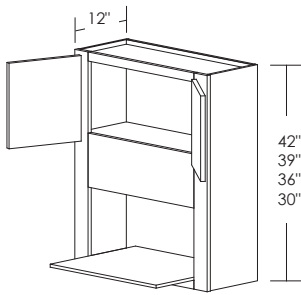
W2721BDX24  
W3021BDX24  
W3321BDX24  
W3621BDX24

#### 12" High (No shelf)

W2712BDX24  
W3012BDX24  
W3312BDX24  
W3612BDX24

WALL CABINETRY

AD = Altered depth option



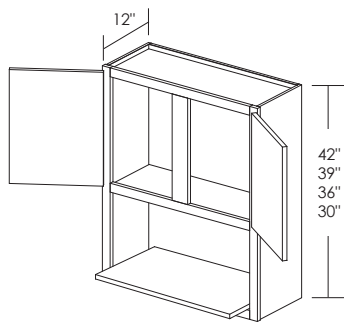
TRIMMABLE MICROWAVE WALL CABINETS WITH BUTT DOORS

- Two hinges per door
- Designed to be trimmable to accommodate built in microwave
- Maximum cutout dimensions is 19-1/2"H x 28"W
- Color matching interior
- **Microwave shelf (MWS3018) must be ordered separately for use with 12" deep cabinet and shelf can be modified in the field to fit**
- **AD 18" and 21"**

NOTE: Drawing is shown with 18" deep microwave shelf ordered separately.

- MWC3042BD
- MWC3039BD
- MWC3036BD

CABINET	OPENING SIZE
MWC30__BD	12"H x 24"W



MICROWAVE WALL CABINETS WITH DOUBLE DOORS

- Two hinges per door
- Color matching interior
- **Microwave shelf (MWS) must be ordered separately for use with 12" deep cabinet**
- **AD 18" and 21"**

NOTE: Drawing is shown with 18" deep microwave shelf ordered separately.

- 42" High**  
 MWC2742  
 MWC3042  
 MWC3342

- 39" High**  
 MWC2739  
 MWC3039  
 MWC3339

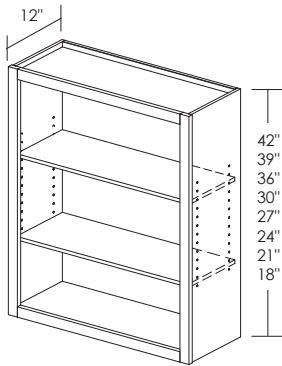
- 36" High**  
 MWC2736  
 MWC3036  
 MWC3336

- 30" High**  
 MWC2730  
 MWC3030  
 MWC3330

CABINET	OPENING SIZE
MWC27__	13-1/2"H x 27"W
MWC30__	13-1/2"H x 30"W
MWC33__	13-1/2"H x 33"W

## WALL CABINETRY

AD = Altered depth option



## WALL BOOK SHELF CABINETS

- Adjustable shelves
- Color matching interior
- AD 15"

**42" High (3 shelves)**

WBS1242  
WBS1542  
WBS1842  
WBS2142  
WBS2442  
WBS2742  
WBS3042

**27" High (1 shelf)**

WBS1227  
WBS1527  
WBS1827  
WBS2127  
WBS2427  
WBS2727  
WBS3027

**39" High (2 shelves)**

WBS1239  
WBS1539  
WBS1839  
WBS2139  
WBS2439  
WBS2739  
WBS3039

**24" High (1 shelf)**

WBS1224  
WBS1524  
WBS1824  
WBS2124  
WBS2424  
WBS2724  
WBS3024

**36" High (2 shelves)**

WBS1236  
WBS1536  
WBS1836  
WBS2136  
WBS2436  
WBS2736  
WBS3036

**21" High (1 shelf)**

WBS1221  
WBS1521  
WBS1821  
WBS2121  
WBS2421  
WBS2721  
WBS3021

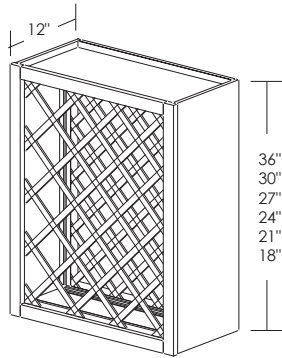
**30" High (2 shelves)**

WBS1230  
WBS1530  
WBS1830  
WBS2130  
WBS2430  
WBS2730  
WBS3030

**18" High (No shelf)**

WBS1218  
WBS1518  
WBS1818  
WBS2118  
WBS2418  
WBS2718  
WBS3018

## WALL CABINETRY

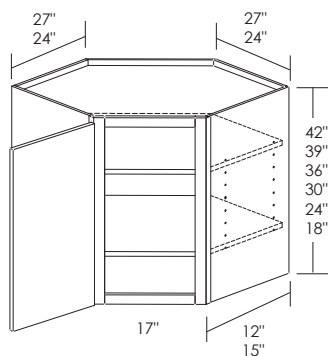


### WALL LATTICE WINE RACKS

- Color matching interior

CABINET	BOTTLE CAPACITY
<b>36" High</b>	
WRL1836	14
<b>30" High</b>	
WRL1830	10
WRL2130	17
WRL2430	18
<b>27" High</b>	
WRL1827	9
WRL2127	15
WRL2427	15
<b>24" High</b>	
WRL1824	8
WRL2124	13
WRL2424	10
WRL2724	15
WRL3024	18
<b>21" High</b>	
WRL1821	6
WRL2121	10
WRL2421	13
WRL2721	15
WRL3021	17
<b>18" High</b>	
WRL1818	4
WRL2118	6
WRL2418	8
WRL2718	9
WRL3018	10
WRL3618	14
<b>15" High</b>	
WRL3015	11
WRL3615	13

## WALL CABINETRY



### CORNER WALL CABINETS

- Two hinges per door, except 42" high cabinets have three hinges per door
- Specify L or R door hinging
- For full overlay door styles, it is recommended to use fillers on each side of cabinet to ensure proper door operation
- **CW27's are 15"D**

#### 42" High (3 shelves)

CW2442 L or R  
CW2742 L or R

#### 30" High (2 shelves)

CW2430 L or R  
CW2730 L or R

#### 39" High (2 shelves)

CW2439 L or R  
CW2739 L or R

#### 24" High (2 shelves)

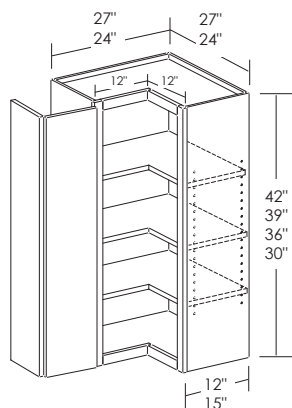
CW2424 L or R  
CW2724 L or R

#### 36" High (2 shelves)

CW2436 L or R  
CW2736 L or R

#### 18" High (No shelf)

CW2418 L or R  
CW2718 L or R



### WALL EASY REACH

- Two hinges per door, except 42" high cabinets have three hinges per door
- Bifold doors are hinged together
- Specify L or R door hinging
- **WER27's are 15"D**

#### 42" High (3 shelves)

WER2442 L or R  
WER2742 L or R

#### 39" High (2 shelves)

WER2439 L or R  
WER2739 L or R

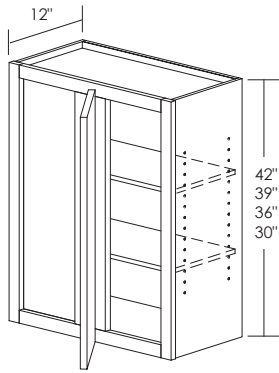
#### 36" High (2 shelves)

WER2436 L or R  
WER2736 L or R

#### 30" High (2 shelves)

WER2430 L or R  
WER2730 L or R

## WALL CABINETRY



### SINGLE DOOR BLIND WALL CABINETS

- Two hinges per door, except 42" high cabinets have three hinges per door
- Specify L or R door hinging and blind location

#### 42" High (3 shelves)

BW24/2742 L or R  
 BW27/3042 L or R  
 BW30/3342 L or R  
 BW33/3642 L or R  
 BW36/3942 L or R

#### 36" High (2 shelves)

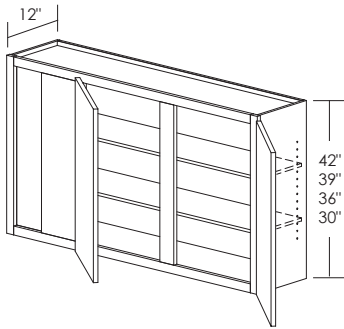
BW24/2736 L or R  
 BW27/3036 L or R  
 BW30/3336 L or R  
 BW33/3636 L or R  
 BW36/3936 L or R

#### 39" High (2 shelves)

BW24/2739 L or R  
 BW27/3039 L or R  
 BW30/3339 L or R  
 BW33/3639 L or R  
 BW36/3939 L or R

#### 30" High (2 shelves)

BW24/2730 L or R  
 BW27/3030 L or R  
 BW30/3330 L or R  
 BW33/3630 L or R  
 BW36/3930 L or R



### DOUBLE DOOR BLIND WALL CABINETS

- Two hinges per door, except 42" high cabinets have three hinges per door
- Specify L or R blind location

#### 42" High (3 shelves)

BW39/4242 L or R  
 BW42/4542 L or R  
 BW45/4842 L or R  
 BW48/5142 L or R

#### 36" High (2 shelves)

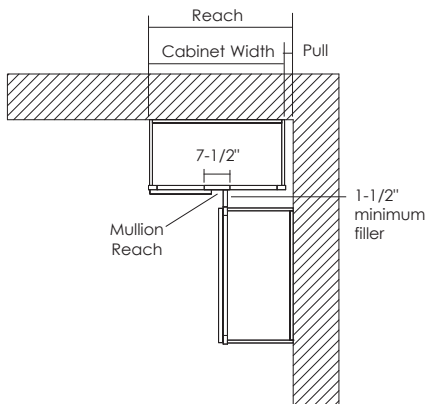
BW39/4236 L or R  
 BW42/4536 L or R  
 BW45/4836 L or R  
 BW48/5136 L or R

#### 39" High (2 shelves)

BW39/4239 L or R  
 BW42/4539 L or R  
 BW45/4839 L or R  
 BW48/5139 L or R

#### 30" High (2 shelves)

BW39/4230 L or R  
 BW42/4530 L or R  
 BW45/4830 L or R  
 BW48/5130 L or R

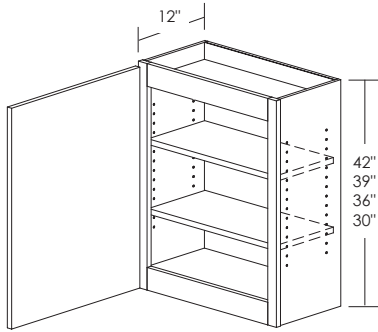


### TYPICAL BLIND WALL LAYOUT

CABINET	CABINET WIDTH	CABINET REPLACED	REACH - FULL OVERLAY	REACH - STD OVERLAY	MAX REACH
BW24/27XX	24	12	25-1/2 - 28-1/2	24-3/4 - 28-1/2	29.25
BW27/30XX	27	15	28-1/2 - 31-1/2	27-3/4 - 31-1/2	32.25
BW30/33XX	30	18	31-1/2 - 33-1/2	30-3/4 - 34-1/2	35.25
BW33/36XX	33	21	33-1/2 - 37-1/2	33-3/4 - 37-1/2	38.25
BW36/39XX	36	24	37-1/2 - 40-1/2	36-3/4 - 40-1/2	41.25
BW39/42XX	39	27	40-1/2 - 43-1/2	39-3/4 - 43-1/2	44.25
BW42/45XX	42	30	43-1/2 - 46-1/2	42-3/4 - 46-1/2	47.25
BW45/48XX	45	33	46-1/2 - 49-1/2	45-3/4 - 49-1/2	50.25
BW48/51XX	48	36	49-1/2 - 52-1/2	48-3/4 - 52-1/2	53.25

## WALL CABINETRY

AD = Altered depth option



## SINGLE DOOR WALL WITH RECESSED BOTTOM

- Two hinges per door, except 42" high cabinets have three hinges per door
- Rails are 3" which provide a 2-5/16" recess.
- Specify L or R door hinging
- **AD 15"**

**42" High (3 shelves)**

W0942RC L or R  
 W1242RC L or R  
 W1542RC L or R  
 W1842RC L or R  
 W2142RC L or R  
 W2442RC L or R

**36" High (2 shelves)**

W0936RC L or R  
 W1236RC L or R  
 W1536RC L or R  
 W1836RC L or R  
 W2136RC L or R  
 W2436RC L or R

**39" High (2 shelves)**

W0939RC L or R  
 W1239RC L or R  
 W1539RC L or R  
 W1839RC L or R  
 W2139RC L or R  
 W2439RC L or R

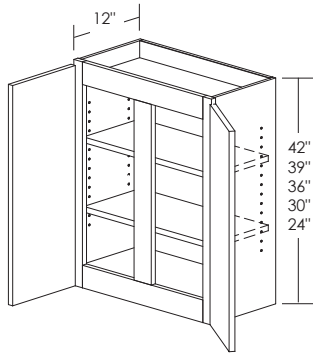
**30" High (2 shelves)**

W0930RC L or R  
 W1230RC L or R  
 W1530RC L or R  
 W1830RC L or R  
 W2130RC L or R  
 W2430RC L or R



## WALL CABINETRY

AD = Altered depth option



## DOUBLE DOOR WALL WITH RECESSED BOTTOM

- Two hinges per door, except 42" high cabinets have three hinges per door
- Rails are 3" which provide a 2-5/16" recess.
- AD 15"

**42" High (3 shelves)**

W2742RC  
W3042RC  
W3342RC  
W3642RC  
W3942RC  
W4242RC  
W4542RC  
W4842RC

**30" High (2 shelves)**

W2730RC  
W3030RC  
W3330RC  
W3630RC  
W3930RC  
W4230RC  
W4530RC  
W4830RC

**39" High (2 shelves)**

W2739RC  
W3039RC  
W3339RC  
W3639RC  
W3939RC  
W4239RC  
W4539RC  
W4839RC

**24" High (1 shelf)**

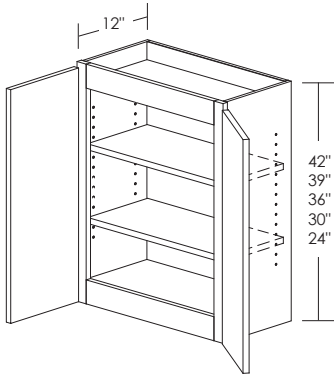
W2724RC  
W3024RC  
W3324RC  
W3624RC  
W3924RC  
W4224RC  
W4524RC  
W4824RC

**36" High (2 shelves)**

W2736RC  
W3036RC  
W3336RC  
W3636RC  
W3936RC  
W4236RC  
W4536RC  
W4836RC

## WALL CABINETRY

AD = Altered depth option



## BUTT DOOR WALL WITH RECESSED BOTTOM

- Two hinges per door, except 42" high cabinets have three hinges per door
- Rails are 3" which provide a 2-5/16" recess.
- AD 15"

**42" High (3 shelves)**

W2442BDRC  
 W2742BDRC  
 W3042BDRC  
 W3342BDRC  
 W3642BDRC

**30" High (2 shelves)**

W2430BDRC  
 W2730BDRC  
 W3030BDRC  
 W3330BDRC  
 W3630BDRC

**39" High (2 shelves)**

W2439BDRC  
 W2739BDRC  
 W3039BDRC  
 W3339BDRC  
 W3639BDRC

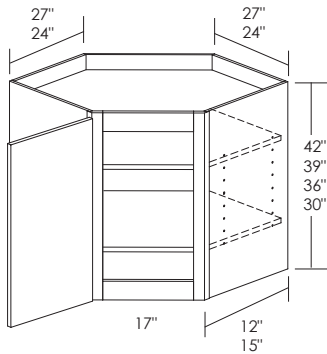
**24" High (1 shelf)**

W2424BDRC  
 W2724BDRC  
 W3024BDRC  
 W3324BDRC  
 W3624BDRC

**36" High (2 shelves)**

W2436BDRC  
 W2736BDRC  
 W3036BDRC  
 W3336BDRC  
 W3636BDRC

**WALL CABINETRY**



**CORNER WALL CABINETS WITH RECESSED BOTTOM**

- Two hinges per door, except 42" high cabinets have three hinges per door
- Rails are 3" which provide a 2-5/16" recess.
- Specify L or R door hinging
- For full overlay door styles, it is recommended to use fillers on each side of cabinet to ensure proper door operation
- CW27's are 15"D

**42" High (3 shelves)**

CW2442RC L or R  
CW2742RC L or R

**36" High (2 shelves)**

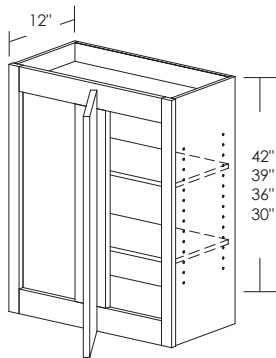
CW2436RC L or R  
CW2736RC L or R

**39" High (2 shelves)**

CW2439RC L or R  
CW2739RC L or R

**30" High (2 shelves)**

CW2430RC L or R  
CW2730RC L or R



**SINGLE DOOR BLIND WALL CABINETS WITH RECESSED BOTTOM**

- Two hinges per door, except 42" high cabinets have three hinges per door
- Rails are 3" which provide a 2-5/16" recess.
- Specify L or R door hinging and blind location

**42" High (3 shelves)**

BW24/2742RC L or R  
BW27/3042RC L or R  
BW30/3342RC L or R  
BW33/3642RC L or R  
BW36/3942RC L or R

**36" High (2 shelves)**

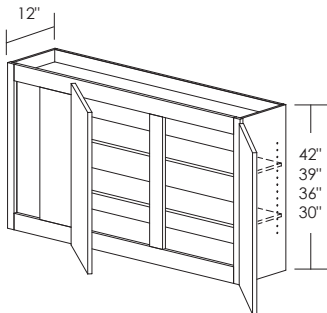
BW24/2736RC L or R  
BW27/3036RC L or R  
BW30/3336RC L or R  
BW33/3636RC L or R  
BW36/3936RC L or R

**39" High (2 shelves)**

BW24/2739RC L or R  
BW27/3039RC L or R  
BW30/3339RC L or R  
BW33/3639RC L or R  
BW36/3939RC L or R

**30" High (2 shelves)**

BW24/2730RC L or R  
BW27/3030RC L or R  
BW30/3330RC L or R  
BW33/3630RC L or R  
BW36/3930RC L or R



**DOUBLE DOOR BLIND WALL CABINETS WITH RECESSED BOTTOM**

- Two hinges per door, except 42" high cabinets have three hinges per door
- Rails are 3" which provide a 2-5/16" recess.
- Specify L or R blind location

**42" High (3 shelves)**

BW39/4242RC L or R  
BW42/4542RC L or R  
BW45/4842RC L or R  
BW48/5142RC L or R

**36" High (2 shelves)**

BW39/4236RC L or R  
BW42/4536RC L or R  
BW45/4836RC L or R  
BW48/5136RC L or R

**39" High (2 shelves)**

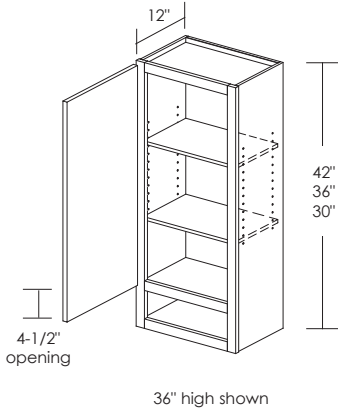
BW39/4239RC L or R  
BW42/4539RC L or R  
BW45/4839RC L or R  
BW48/5139RC L or R

**30" High (2 shelves)**

BW39/4230RC L or R  
BW42/4530RC L or R  
BW45/4830RC L or R  
BW48/5130RC L or R

WALL CABINETRY

AD = Altered depth option



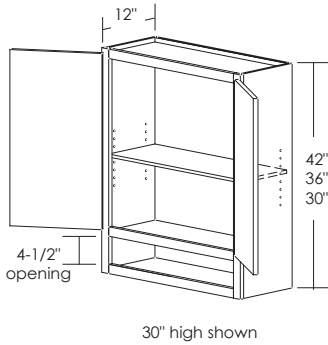
SINGLE DOOR WALL LINEN

- Two hinges per door
- Specify L or R door hinging
- Comes with color matching interior
- AD 9"

**42" High (2 shelves)**  
 WL2142 L or R  
 WL2442 L or R

**36" High (2 shelves)**  
 WL2136 L or R  
 WL2436 L or R

**30" High (1 shelf)**  
 WL2130 L or R  
 WL2430 L or R



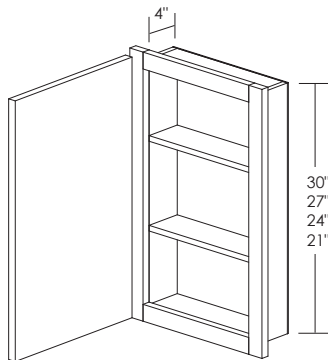
BUTT DOOR WALL LINEN

- Two hinges per door
- Comes with color matching interior
- AD 9"

**42" High (2 shelves)**  
 WL2442BD  
 WL2742BD  
 WL3042BD  
 WL3342BD

**36" High (2 shelves)**  
 WL2436BD  
 WL2736BD  
 WL3036BD  
 WL3336BD

**30" High (1 shelf)**  
 WL2430BD  
 WL2730BD  
 WL3030BD  
 WL3330BD



MEDICINE CABINET

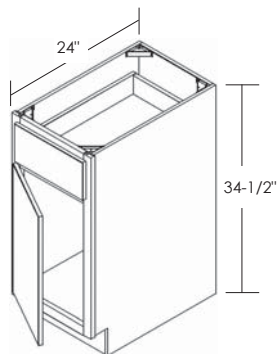
- Recessed cabinet
- Two hinges per door
- Specify L or R door hinging
- Comes with two 1/2" thick adjustable shelves
- Cut out dimensions are 1" smaller than cabinet dimensions

CUT OUT DIMENSIONS

	W	H
MCR1530 L or R	14"	29"
MCR1527 L or R	14"	26"
MCR1524 L or R	14"	23"
MCR1521 L or R	14"	20"

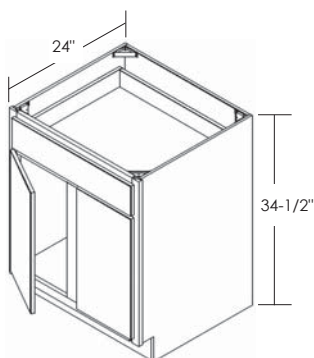
**BASE CABINETRY**

Cabinet Height: 34-1/2". Toe Kick Height: 4-1/2".

**BASE SINGLE DOOR AND DRAWER**

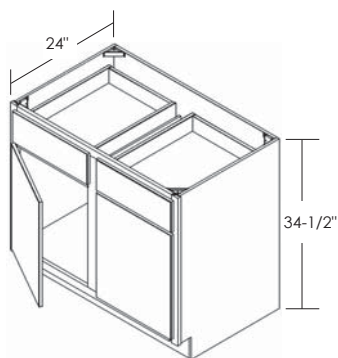
- Two hinges per door
- Specify L or R door hinging
- Comes with adjustable half depth shelf
- AD 21"
- FDS

B09 L or R  
B12 L or R  
B15 L or R  
B18 L or R  
B21 L or R  
B24 L or R

**BASE DOUBLE DOOR AND SINGLE DRAWER**

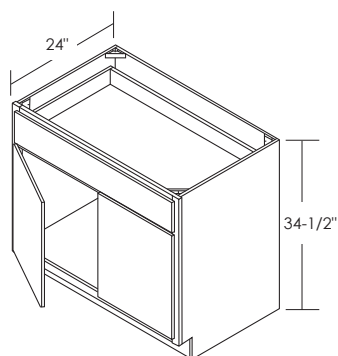
- Two hinges per door
- Comes with adjustable half depth shelf
- AD 21"
- FDS

B27

**BASE DOUBLE DOOR AND DOUBLE DRAWER**

- Two hinges per door
- Comes with adjustable half depth shelf
- AD 21"
- FDS

B30  
B33  
B36  
B39  
B42  
B45  
B48

**BASE BUTT DOOR AND WIDE SINGLE DRAWER**

- Two hinges per door
- Comes with adjustable half depth shelf
- AD 21"
- FDS

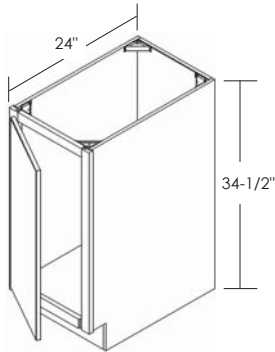
B24BD  
B27BD  
B30BD  
B33BD  
\*B36BD

\*FDS is not available on B36BD

AD = Altered depth option  
 FDS = Full depth shelf option

## BASE CABINETS

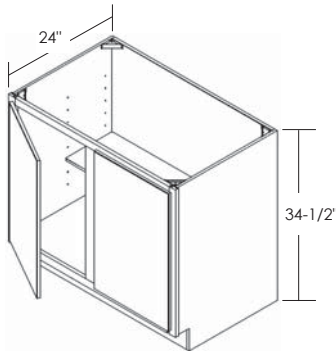
Cabinet Height: 34-1/2". Toe Kick Height: 4-1/2".



### BASE FULL HEIGHT SINGLE DOOR

- Two hinges per door
- Specify L or R door hinging
- Comes with adjustable half depth shelf
- AD 15", 18" or 21"
- FDS

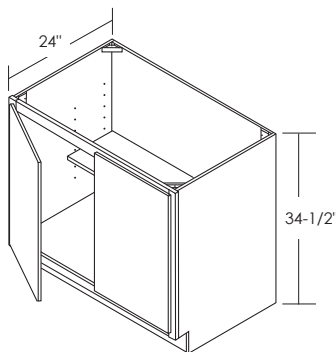
B09FH L or R  
 B12FH L or R  
 B15FH L or R  
 B18FH L or R  
 B21FH L or R  
 B24FH L or R



### BASE FULL HEIGHT DOUBLE DOOR

- Two hinges per door
- Comes with adjustable half depth shelf
- AD 15", 18" or 21"
- FDS

B27FH  
 B30FH  
 B33FH  
 B36FH  
 B39FH  
 B42FH  
 B45FH  
 B48FH



### BASE FULL HEIGHT BUTT DOOR

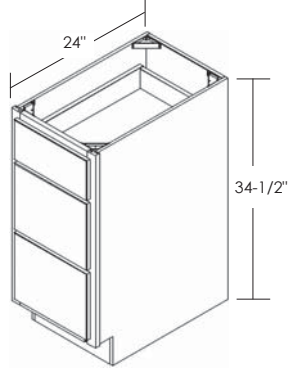
- Two hinges per door
- Comes with adjustable half depth shelf
- AD 15", 18" or 21"
- FDS

B24BDFH  
 B27BDFH  
 B30BDFH  
 B33BDFH  
 \*B36BDFH

\*FDS is not available on B36BDFH

**BASE CABINETRY**

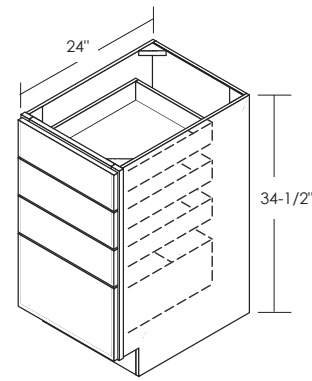
Cabinet Height: 34-1/2". Toe Kick Height: 4-1/2".



**THREE DRAWER BASE**

- One standard height drawer on top and two deep drawers on bottom
- **AD 21"**

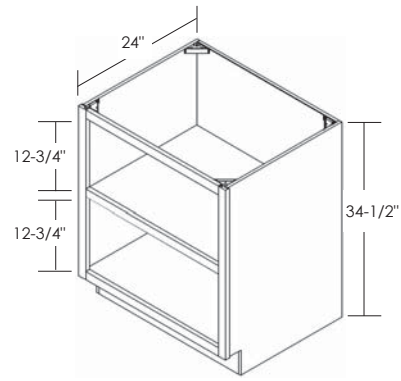
- DB12-3
- DB15-3
- DB18-3
- DB21-3
- DB24-3
- DB27-3
- DB30-3
- DB36-3



**FOUR DRAWER BASE**

- Three standard height drawers on top and one deep bottom drawer
- **AD 21"**

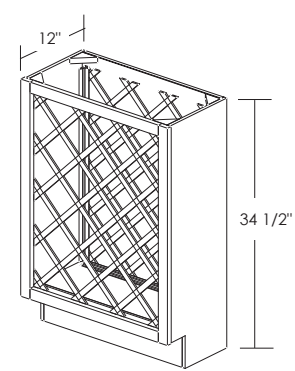
- DB12-4
- DB15-4
- DB18-4
- DB21-4
- DB24-4
- DB27-4
- DB30-4
- DB36-4



**BASE BOOKSHELF**

- Two equal openings
- Color matching interior
- Fixed full depth shelf
- **AD 12", 18", or 21"**

- BBS18
- BBS21
- BBS24
- BBS27
- BBS30



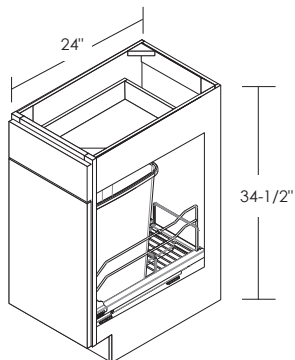
**BASE LATTICE WINE RACK**

- Color matching interior

WIDTH	BOTTLE CAPACITY
B18WRL	12
B21WRL	17
B24WRL	17

## BASE CABINETRY

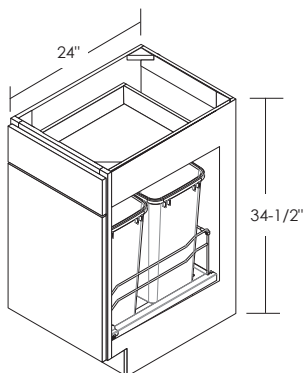
Cabinet Height: 34-1/2". Toe Kick Height: 4-1/2".



### BASE WITH SINGLE WASTEBASKET BIN PULL OUT

- Door is attached to wastebasket guides and opens as drawer
- 35 qt. removable trash container
- Integrated full extension soft-close guide system

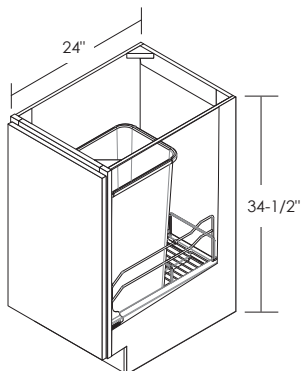
B15WBS



### BASE WITH DOUBLE WASTEBASKET BIN PULL OUT

- Door is attached to wastebasket guides and opens as drawer
- Two 35 qt. removable trash containers
- Integrated full extension soft-close guide system

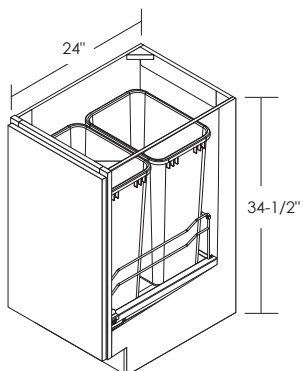
B18WBD



### BASE FULL HEIGHT WITH SINGLE WASTEBASKET BIN PULL OUT

- Door is attached to wastebasket guides and opens as drawer
- 50 qt. removable trash container
- Integrated full extension soft-close guide system

B15FWBS



### BASE FULL HEIGHT WITH DOUBLE WASTEBASKET BIN PULL OUT

- Door is attached to wastebasket guides and opens as drawer
- Two 50 qt. removable trash containers
- Integrated full extension soft-close guide system

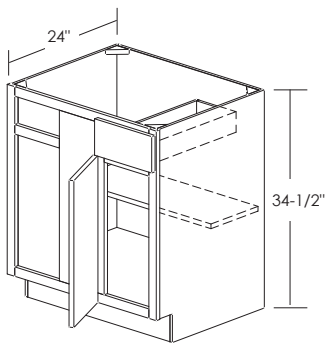
B21FWBD



FDS = Full depth shelf option

Cabinet Height: 34-1/2". Toe Kick Height: 4-1/2".

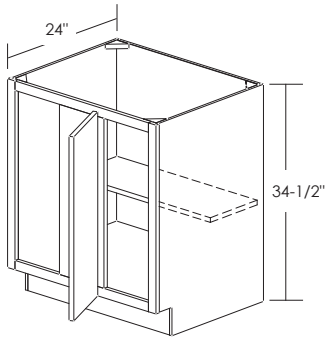
**BASE CABINETRY**



**BLIND BASE WITH DRAWER**

- Two hinges per door
- Specify L or R door hinging
- Comes with adjustable half depth shelf
- Blind cabinets are symmetrical and can be reversed in the field
- Must order filler separately
- **FDS**

- BB36/39 L or R
- BB39/42 L or R
- BB42/45 L or R
- BB45/48 L or R
- BB48/51 L or R



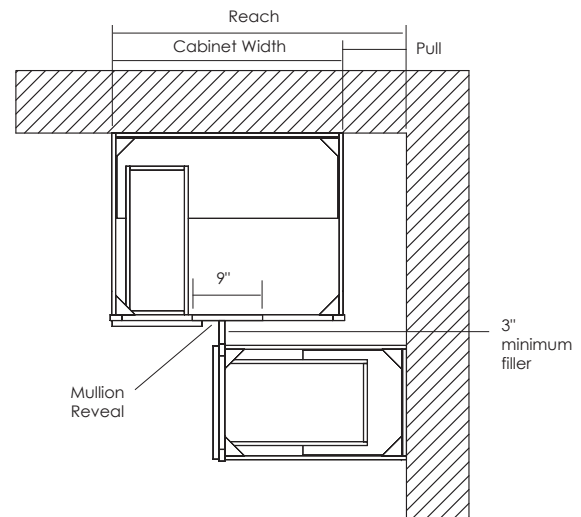
**BLIND BASE FULL HEIGHT DOOR**

- Two hinges per door
- Specify L or R door hinging
- Comes with adjustable half depth shelf
- Blind cabinets are symmetrical and can be reversed in the field
- Must order filler separately
- **FDS**

- BB36/39FH L or R
- BB39/42FH L or R
- BB42/45FH L or R
- BB45/48FH L or R
- BB48/51FH L or R

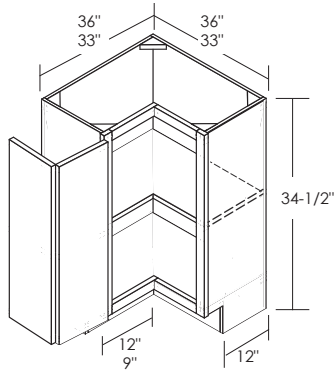
**TYPICAL BLIND BASE LAYOUT**

Item	Overall Cabinet Width	Replaces Cabinet and Filler for	Pull		Reach		MullionReveal	
			Min	Max	Min	Max	Min	Max
BB36/39	24	9	12	15	36	39	4.5	7.5
BB39/42	30	12	9	12	39	42	4.5	7.5
BB42/45	36	15	6	9	42	45	4.5	7.5
BB45/48	42	18	3	6	45	48	4.5	7.5
BB48/51	48	21	0	3	48	51	4.5	7.5



## BASE CABINETRY

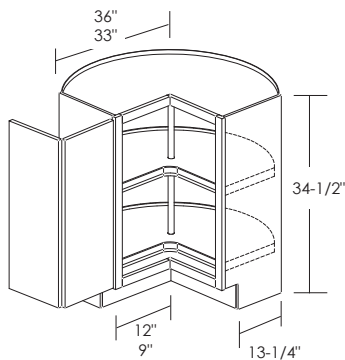
Cabinet Height: 34-1/2". Toe Kick Height: 4-1/2".



### BASE EASY REACH

- Two hinges per door
- Bifold doors are hinged together
- Specify L or R door hinging
- Comes with one adjustable full depth shelf
- This cabinet is not intended to be used at the end of a cabinet run
- **NOTE: If cabinet is installed next to an appliance that is deeper than 25", it may interfere with door opening. Use of a filler or a BRP end panel between the cabinet and appliance is recommended.**
- **BER33 will have slab doors for the following routed styles: Bridgeport, Chandler, Rockford, Savannah, and Vancouver**

BER33 L or R  
BER36 L or R



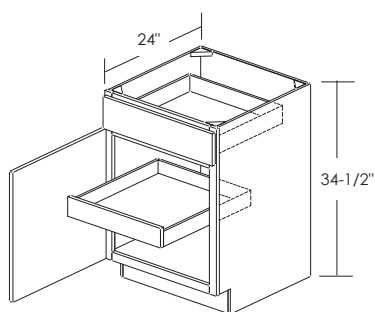
### BASE LAZY SUSAN

- Two hinges per door
- Bifold doors are hinged together
- Specify L or R door hinging
- Two high impact 23-1/2" diameter white plastic shelves that rotate independently of each other
- Top shelf height is adjustable
- This cabinet is not intended to be used at the end of a cabinet run
- **NOTE: If cabinet is installed next to an appliance that is deeper than 25", it may interfere with door opening. Use of a filler or a BRP end panel between the cabinet and appliance is recommended.**
- **BLS33 will have slab doors for the following routed styles: Bridgeport, Chandler, Rockford, Savannah, and Vancouver**

BLS33 L or R  
BLS36 L or R

## BASE CABINETRY

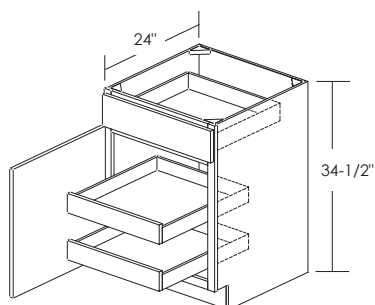
Cabinet Height: 34-1/2". Toe Kick Height: 4-1/2".



### BASE SINGLE DOOR AND DRAWER WITH ONE ROLL OUT SHELF

- Two hinges per door
- Specify L or R door hinging
- One full depth shelf tray

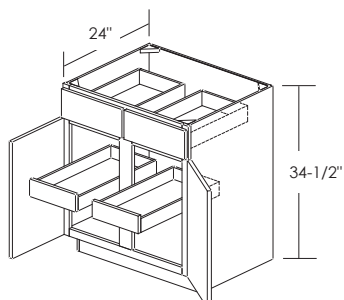
B12ROS L or R  
B15ROS L or R  
B18ROS L or R  
B21ROS L or R  
B24ROS L or R



### BASE SINGLE DOOR AND DRAWER WITH TWO ROLL OUT SHELVES

- Two hinges per door
- Specify L or R door hinging
- Two full depth shelf trays

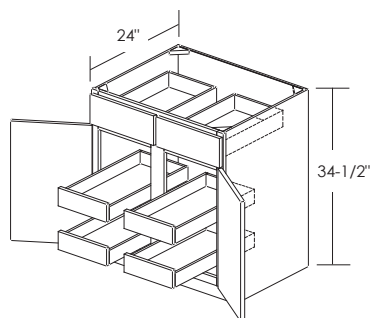
B12ROS2 L or R  
B15ROS2 L or R  
B18ROS2 L or R  
B21ROS2 L or R  
B24ROS2 L or R



### BASE DOUBLE DOOR AND DRAWER WITH TWO ROLL OUT SHELVES

- Two hinges per door
- Two full depth shelf trays

B27ROS2  
B30ROS2  
B33ROS2  
B36ROS2  
B39ROS2  
B42ROS2



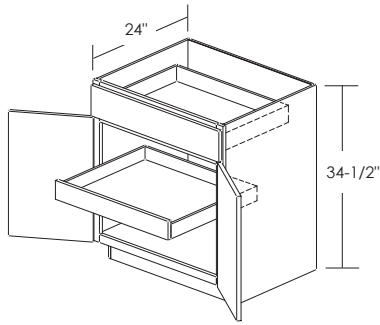
### BASE DOUBLE DOOR AND DRAWER WITH FOUR ROLL OUT SHELVES

- Two hinges per door
- Four full depth shelf trays

B27ROS4  
B30ROS4  
B33ROS4  
B36ROS4  
B39ROS4  
B42ROS4

## BASE CABINETS

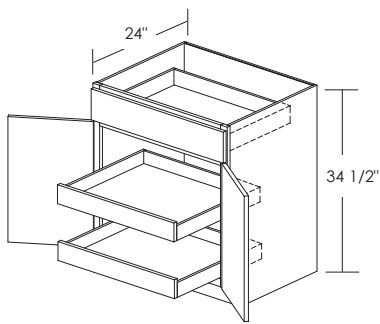
Cabinet Height: 34-1/2". Toe Kick Height: 4-1/2".



### BASE BUTT DOOR WITH SINGLE WIDE DRAWER AND ROLL OUT SHELF

- Two hinges per door
- One full depth shelf tray

B24BDROS  
B27BDROS  
B30BDROS  
B33BDROS



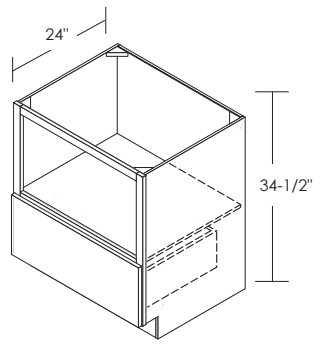
### BASE BUTT DOOR WITH SINGLE WIDE DRAWER AND TWO ROLL OUT SHELVES

- Two hinges per door
- Two full depth shelf tray

B24BDROS2  
B27BDROS2  
B30BDROS2  
B33BDROS2

**BASE CABINETRY**

Cabinet Height: 34-1/2". Toe Kick Height: 4-1/2".

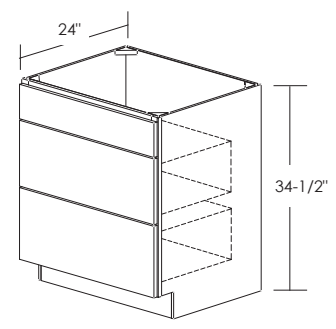


**BASE MICROWAVE**

- One deep bottom drawer
- Comes with a matching finished interior
- Not designed for use with trim kit

OPENING SIZE

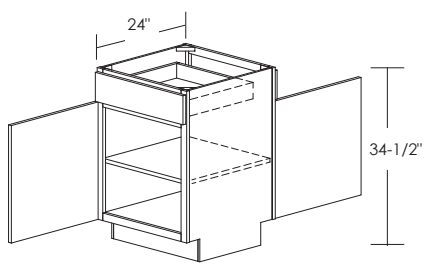
BMC27	15-3/4" H x 24" W
BMC30	15-3/4" H x 27" W
BMC33	15-3/4" H x 30" W



**DRAWER BASE RANGE**

- One false drawer front on top and two deep drawers on bottom
- Designed for use with drop-in cooktop
- Comes standard with upgraded plywood drawer box with a captured bottom

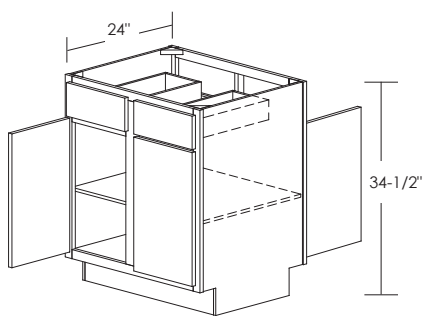
DBR30  
DBR36



**SINGLE DOOR AND DRAWER PENINSULA BASE**

- Two hinges per door
- Specify L or R door hinging
- Comes with one adjustable full depth shelf
- Single door and drawer in front; single door and dummy drawer front in rear

PB24 L or R



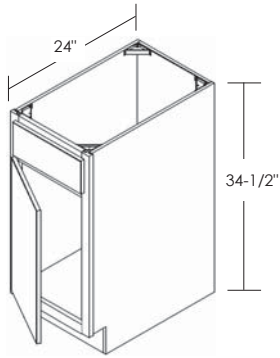
**DOUBLE DOOR AND DRAWER PENINSULA BASE**

- Two hinges per door
- Comes with one adjustable full depth shelf
- Double doors and drawers in front; double doors and double dummy drawer fronts in rear

PB30  
PB36  
PB42

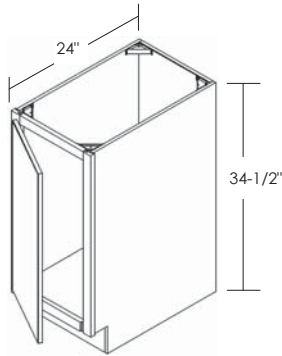
AD = Altered depth option

Cabinet Height: 34-1/2". Toe Kick Height: 4-1/2".

**BASE CABINETRY****SINGLE DOOR SINK BASE**

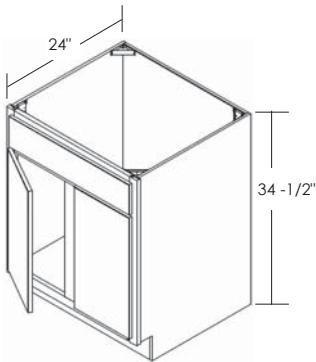
- Two hinges per door
- Specify L or R door hinging
- One false front
- **AD 15", 18", or 21"**

SB18 L or R  
SB21 L or R  
SB24 L or R

**SINGLE DOOR FULL HEIGHT SINK BASE**

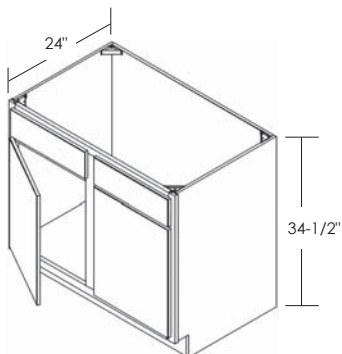
- Two hinges per door
- Specify L or R door hinging
- **AD 15", 18", or 21"**

SB18FH L or R  
SB21FH L or R  
SB24FH L or R

**DOUBLE DOOR SINK BASE WITH SINGLE DRAWER FRONT**

- Two hinges per door
- One false front
- **AD 15", 18", or 21"**

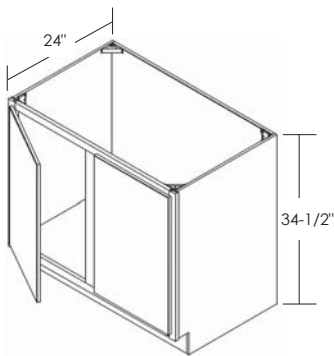
SB27

**DOUBLE DOOR SINK BASE**

- Two hinges per door
- Two false fronts
- **AD 15", 18", or 21"**

SB30  
SB33  
SB36  
SB39  
SB42  
SB45  
SB48

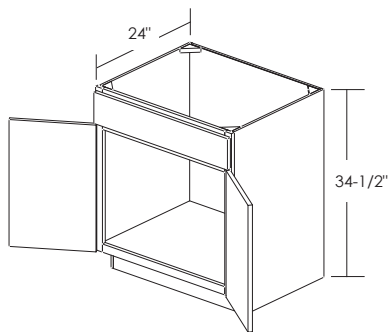
**BASE CABINETS**



**DOUBLE DOOR FULL HEIGHT SINK BASE**

- Two hinges per door
- AD 15", 18", or 21"

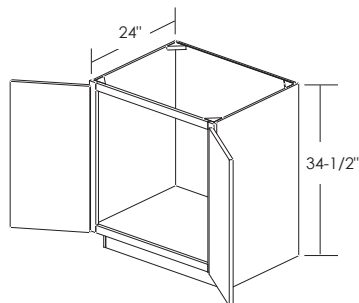
- SB27FH
- SB30FH
- SB33FH
- SB36FH
- SB39FH
- SB42FH
- SB45FH
- SB48FH



**BUTT DOOR SINK BASE**

- Two hinges per door
- One wide false front
- AD 15", 18", or 21"

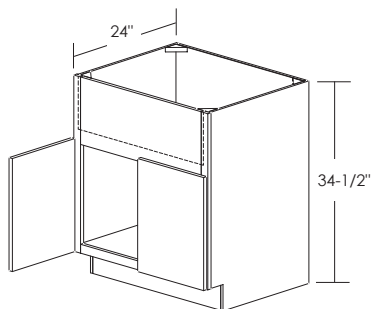
- SB24BD
- SB27BD
- SB30BD
- SB33BD
- SB36BD



**BUTT DOOR FULL HEIGHT SINK BASE**

- Two hinges per door
- AD 15", 18", or 21"

- SB24BDFH
- SB27BDFH
- SB30BDFH
- SB33BDFH
- SB36BDFH



**DEEP SINK BASE**

- Two hinges per door
- Can be used with deep sink or drop-in cook top
- AD 21"

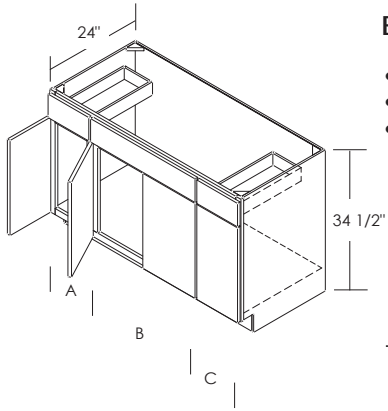
- DSB30BD
- DSB36BD

CABINET	MAXIMUM CUT OUT DIMENSIONS	
	MAX WIDTH	MAX HEIGHT
DSB30BD	28"	9"
DSB36BD	34"	9"

**BASE CABINETRY**

AD = Altered depth option

Cabinet Height: 34-1/2". Toe Kick Height: 4-1/2".

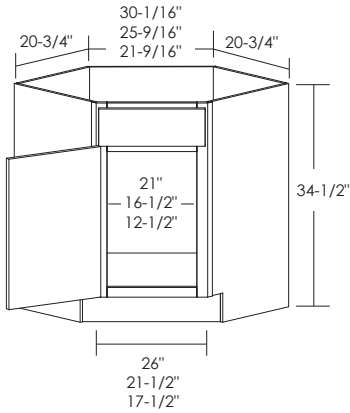


**BUTT DOOR SINK BASE COMBINATION**

- Two hinges per door
- One standard depth drawer on each side with one false front center
- AD 21"

SBC54BD  
SBC60BD

	A	B	C
SBC54BD	12"	30"	12"
SBC60BD	15"	30"	15"

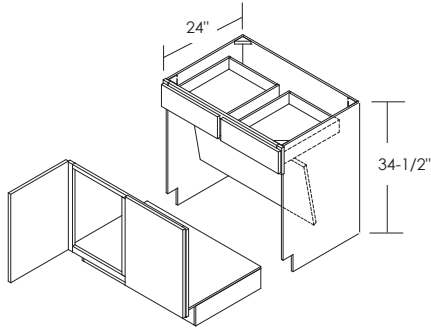


**SINK BASE DIAGONAL**

- Two hinges per door
- Specify L or R door hinging
- One false front

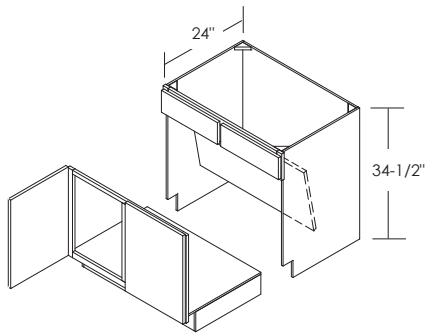
SBD36 L or R  
SBD39 L or R  
SBD42 L or R



**BASE CABINERY****ACCESSIBLE BASE**

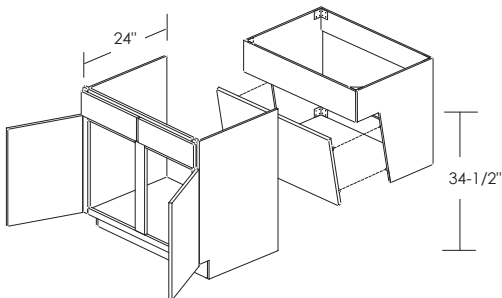
- Two hinges per door
- Two drawers
- Comes standard with a matching interior
- **AD 21"**

ACB33  
ACB36  
ACB39  
ACB42

**ACCESSIBLE SINK BASE**

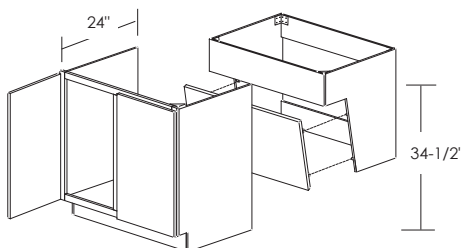
- Two hinges per door
- Two false fronts
- Comes standard with a matching interior
- **AD 21"**

ACSB33  
ACSB36  
ACSB39  
ACSB42

**UFAS SINK BASE AND INSERT**

- Two hinges per door
- Two false fronts
- Removable option when 30" or less is available
- Outer cabinet is removable when needed to leave UFAS insert attached to wall
- Designed to meet minimum National ADA clearance requirements
- Insert can be trimmed in field to meet local codes
- Matching interior
- **AD 21"**

UFASSB30  
UFASSB33  
UFASSB36

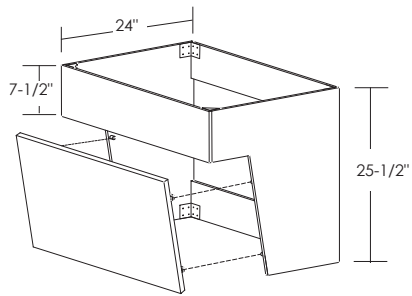
**UFAS FULL HEIGHT SINK BASE AND INSERT**

- Two hinges per door
- Removable option when 30" or less is available
- Outer cabinet is removable when needed to leave UFAS insert attached to wall
- Designed to meet minimum National ADA clearance requirements
- Insert can be trimmed in field to meet local codes
- Matching interior
- **AD 21"**

UFASSB30FH  
UFASSB33FH  
UFASSB36FH

## BASE CABINETRY

---



### UFAS SINK BASE INSERT ONLY

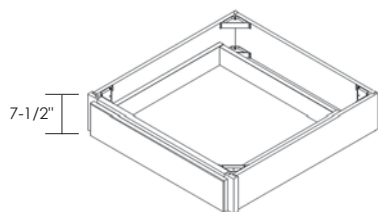
- Baffle is removable for plumbing access
- Designed to meet minimum National ADA clearance requirements
- Insert can be trimmed in field to meet local codes
- Matching interior
- **AD 21"**

UFASIOSB30  
UFASIOSB33  
UFASIOSB36

## BASE CABINETRY

### DRAWER SKIRT

- 7-1/2" high drawer skirt



#### 21" Deep

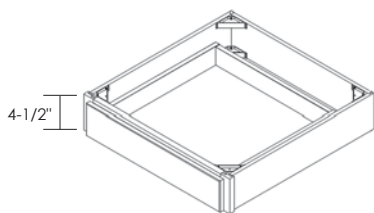
DS1821  
DS2121  
DS2421  
DS2721  
DS3021  
DS3621

#### 24" Deep

DS1824  
DS2124  
DS2424  
DS2724  
DS3024  
DS3624

### PENCIL DRAWER SKIRT

- 4-1/2" high pencil drawer
- Not available in 5PC drawer styles



#### 21" Deep

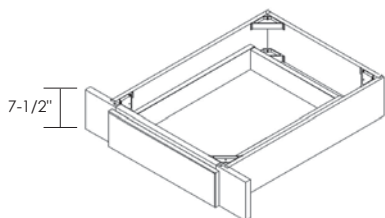
PD1821  
PD2121  
PD2421  
PD2721  
PD3021  
PD3621

#### 24" Deep

PD1824  
PD2124  
PD2424  
PD2724  
PD3024  
PD3624

### DRAWER SKIRT TRIMMABLE

- 7-1/2" high drawer skirt
- Trimmable 3" on each side



#### 21" Deep

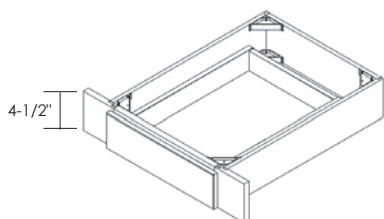
DST2121  
DST2421  
DST2721  
DST3021  
DST3621

#### 24" Deep

DST2124  
DST2424  
DST2724  
DST3024  
DST3624

### PENCIL DRAWER SKIRT TRIMMABLE

- 4-1/2" high pencil drawer
- Trimmable 3" on each side
- Not available in 5PC drawer styles



#### 21" Deep

PDT2121  
PDT2421  
PDT2721  
PDT3021  
PDT3621

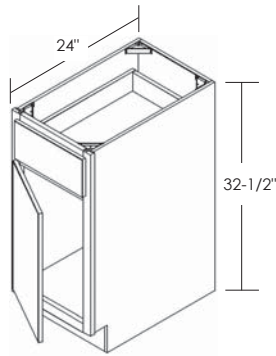
#### 24" Deep

PDT2124  
PDT2424  
PDT2724  
PDT3024  
PDT3624

AD = Altered depth option  
 FDS = Full depth shelf option

## UNIVERSAL ACCESS BASE CABINETRY

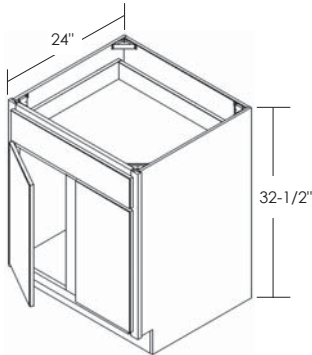
Cabinet Height: 32-1/2". Toe Kick Height: 5-1/2".



### UNIVERSAL ACCESS BASE SINGLE DOOR AND DRAWER

- Two hinges per door
- Specify L or R door hinging
- Comes with adjustable half depth shelf
- AD 21"
- FDS

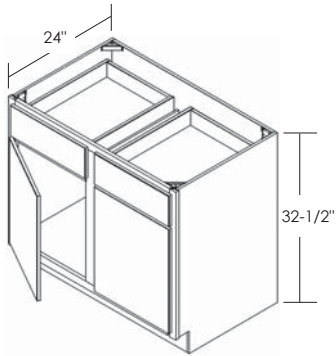
HCBO9 L or R  
 HCB12 L or R  
 HCB15 L or R  
 HCB18 L or R  
 HCB21 L or R  
 HCB24 L or R



### UNIVERSAL ACCESS BASE DOUBLE DOOR AND SINGLE DRAWER

- Two hinges per door
- Comes with adjustable half depth shelf
- AD 21"
- FDS

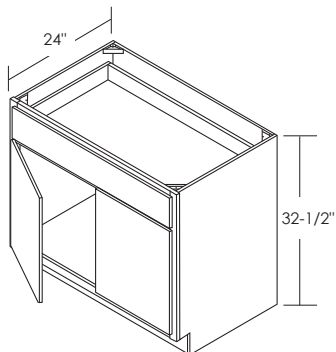
HCB27



### UNIVERSAL ACCESS BASE DOUBLE DOOR AND DOUBLE DRAWER

- Two hinges per door
- Comes with adjustable half depth shelf
- AD 21"
- FDS

HCB30  
 HCB33  
 HCB36  
 HCB39  
 HCB42  
 HCB45  
 HCB48



### UNIVERSAL ACCESS BASE BUTT DOOR AND WIDE SINGLE DRAWER

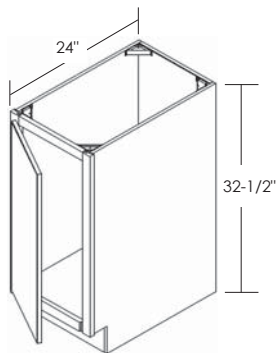
- Two hinges per door
- Comes with adjustable half depth shelf
- AD 21"
- FDS

HCB24BD  
 HCB27BD  
 HCB30BD  
 HCB33BD  
 \*HCB36BD

\*FDS is not available on HCB36BD

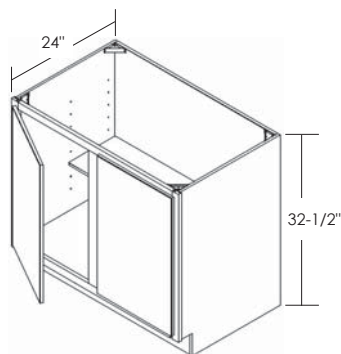
**UNIVERSAL ACCESS BASE CABINETRY**

Cabinet Height: 32-1/2". Toe Kick Height: 5-1/2".

**UNIVERSAL ACCESS BASE FULL HEIGHT SINGLE DOOR**

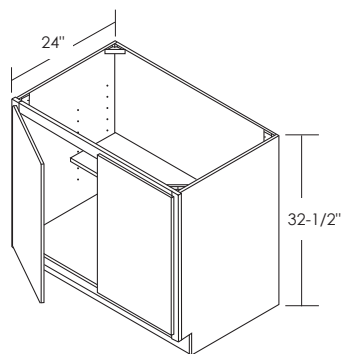
- Two hinges per door
- Specify L or R door hinging
- Comes with adjustable half depth shelf
- AD 15", 18" or 21"
- FDS

HCBO9FH L or R  
 HCB12FH L or R  
 HCB15FH L or R  
 HCB18FH L or R  
 HCB21FH L or R  
 HCB24FH L or R

**UNIVERSAL ACCESS BASE FULL HEIGHT DOUBLE DOOR**

- Two hinges per door
- Comes with adjustable half depth shelf
- AD 15", 18" or 21"
- FDS

HCB27FH  
 HCB30FH  
 HCB33FH  
 HCB36FH  
 HCB39FH  
 HCB42FH  
 HCB45FH  
 HCB48FH

**UNIVERSAL ACCESS BASE FULL HEIGHT BUTT DOOR**

- Two hinges per door
- Comes with adjustable half depth shelf
- AD 15", 18" or 21"
- FDS

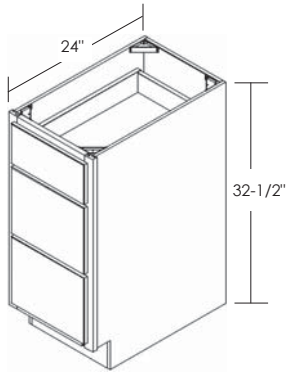
HCB24BDFH  
 HCB27BDFH  
 HCB30BDFH  
 HCB33BDFH  
 \*HCB36BDFH

\*FDS is not available on HCB36BDFH

AD = Altered depth option

**UNIVERSAL ACCESS BASE CABINETRY**

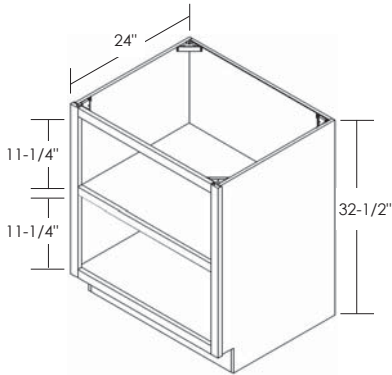
Cabinet Height: 32- 1/2". Toe Kick Height: 5-1/2".



**UNIVERSAL ACCESS THREE DRAWER BASE**

- One standard depth drawer on top and two deep drawers on bottom
- AD 21"

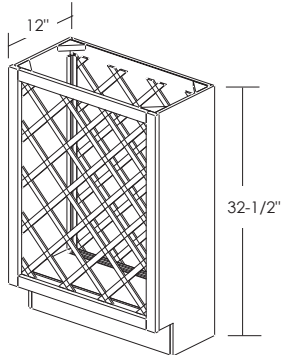
- HCDB12-3
- HCDB15-3
- HCDB18-3
- HCDB21-3
- HCDB24-3
- HCDB27-3
- HCDB30-3
- HCDB36-3



**UNIVERSAL ACCESS BASE BOOKSHELF**

- Two equal openings
- Color matching interior
- Fixed full depth shelf
- AD 12", 18", or 21"

- HCBBS18
- HCBBS21
- HCBBS24
- HCBBS27
- HCBBS30



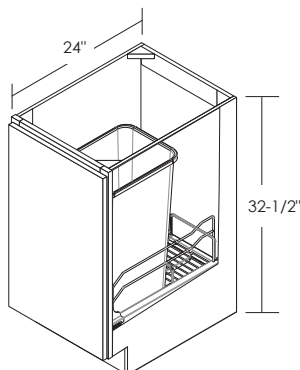
**UNIVERSAL ACCESS BASE LATTICE WINE RACK**

- Color matching interior

WIDTH	BOTTLE CAPACITY
HCB18WRL	9
HCB21WRL	15
HCB24WRL	15

## UNIVERSAL ACCESS BASE CABINETRY

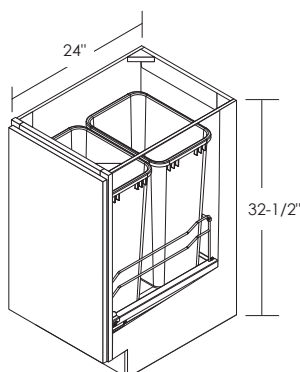
Cabinet Height: 32-1/2". Toe Kick Height: 5-1/2".



### UNIVERSAL ACCESS BASE FULL HEIGHT WITH SINGLE WASTEBASKET BIN PULL OUT

- Door is attached to wastebasket guides and opens as drawer
- 50 qt. removable trash container
- Integrated full extension soft-close guide system

HCB15FWBS



### UNIVERSAL ACCESS BASE FULL HEIGHT WITH DOUBLE WASTEBASKET BIN PULL OUT

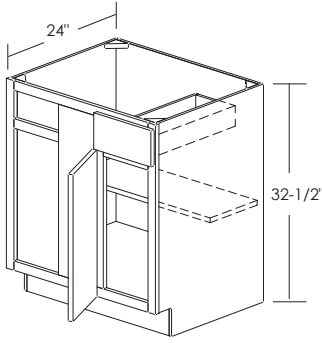
- Door is attached to wastebasket guides and opens as drawer
- Two 50 qt. removable trash containers
- Integrated full extension soft-close guide system

HCB21FWBD

FDS = Full depth shelf option

**UNIVERSAL ACCESS BASE CABINERY**

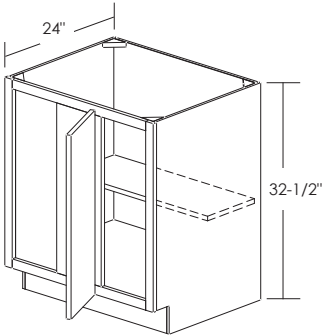
Cabinet Height: 32-1/2". Toe Kick Height: 5-1/2".



**BLIND BASE WITH DRAWER**

- Two hinges per door
- Specify L or R door hinging
- Comes with adjustable half depth shelf
- Blind cabinets are symmetrical and can be reversed in the field
- Must order filler separately
- **FDS**

HCBB36/39 L or R  
 HCBB39/42 L or R  
 HCBB42/45 L or R  
 HCBB45/48 L or R  
 HCBB48/51 L or R



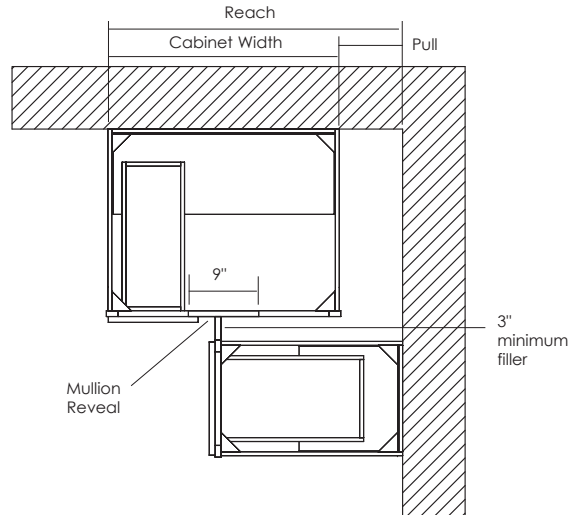
**BLIND BASE FULL HEIGHT DOOR**

- Two hinges per door
- Specify L or R door hinging
- Comes with adjustable half depth shelf
- Blind cabinets are symmetrical and can be reversed in the field
- Must order filler separately
- **FDS**

HCBB36/39FH L or R  
 HCBB39/42FH L or R  
 HCBB42/45FH L or R  
 HCBB45/48FH L or R  
 HCBB48/51FH L or R

**TYPICAL BLIND BASE LAYOUT**

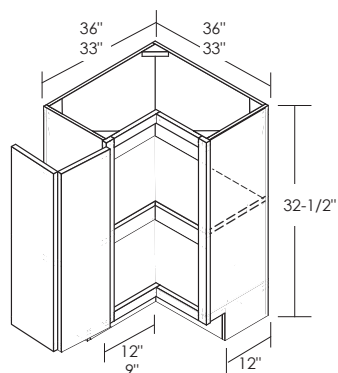
Item	Overall Cabinet Width	Replaces Cabinet and Filler for	Pull		Reach		Mullion/Reveal	
			Min	Max	Min	Max	Min	Max
HCBB36/39	24	9	12	15	36	39	4.5	7.5
HCBB39/42	30	12	9	12	39	42	4.5	7.5
HCBB42/45	36	15	6	9	42	45	4.5	7.5
HCBB45/48	42	18	3	6	45	48	4.5	7.5
HCBB48/51	48	21	0	3	48	51	4.5	7.5





## UNIVERSAL ACCESS BASE CABINETRY

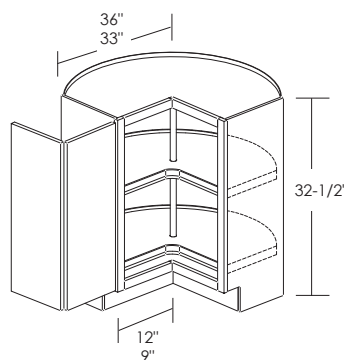
Cabinet Height: 32-1/2". Toe Kick Height: 5-1/2".



### UNIVERSAL ACCESS BASE EASY REACH

- Two hinges per door
- Bifold doors are hinged together
- Specify L or R door hinging
- Comes with one adjustable full depth shelf
- This cabinet is not intended to be used at the end of a cabinet run
- **NOTE: If cabinet is installed next to an appliance that is deeper than 25", it may interfere with door opening. Use of a filler or a BRP end panel between the cabinet and appliance is recommended.**
- HCBER33 will have slab doors for the following routed styles: Bridgeport, Chandler, Rockford, Savannah, and Vancouver

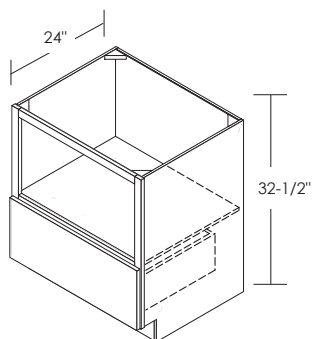
HCBER33 L or R  
HCBER36 L or R



### UNIVERSAL ACCESS BASE LAZY SUSAN

- Two hinges per door
- Bifold doors are hinged together
- Specify L or R door hinging
- Two high impact 23 1/2" diameter white plastic shelves that rotate independently of each other
- Top shelf height is adjustable
- This cabinet is not intended to be used at the end of a cabinet run
- **NOTE: If cabinet is installed next to an appliance that is deeper than 25", it may interfere with door opening. Use of a filler or a BRP end panel between the cabinet and appliance is recommended.**
- HCBSL33 will have slab doors for the following routed styles: Bridgeport, Chandler, Rockford, Savannah, and Vancouver

HCBSL33 L or R  
HCBSL36 L or R



### UNIVERSAL ACCESS BASE MICROWAVE

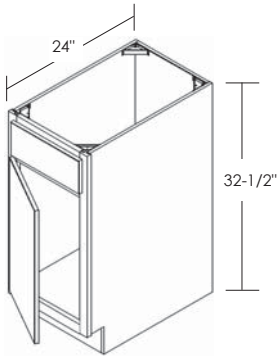
- One deep bottom drawer
- Comes with a matching finished interior
- Not designed for use with trim kit

	OPENING SIZE
HCBMC27	13-3/4" H x 24" W
HCBMC30	13-3/4" H x 27" W
HCBMC33	13-3/4" H x 30" W

AD = Altered depth option

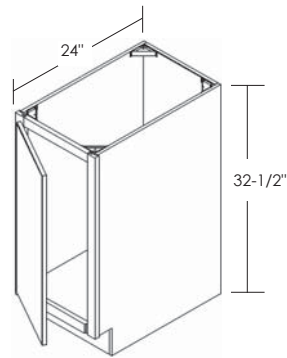
**UNIVERSAL ACCESS CABINETRY**

Cabinet Height: 32-1/2". Toe Kick Height: 5-1/2".

**UNIVERSAL ACCESS SINGLE DOOR SINK BASE**

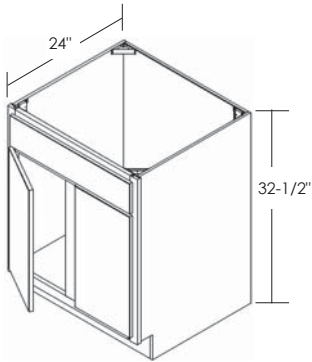
- Two hinges per door
- Specify L or R door hinging
- One false front
- AD 15", 18", or 21"

HCSB18 L or R  
HCSB21 L or R  
HCSB24 L or R

**UNIVERSAL ACCESS SINGLE DOOR FULL HEIGHT SINK BASE**

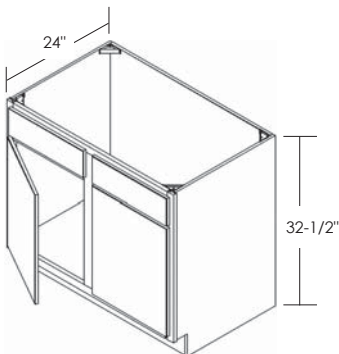
- Two hinges per door
- Specify L or R door hinging
- AD 15", 18", or 21"

HCSB18FH L or R  
HCSB21FH L or R  
HCSB24FH L or R

**UNIVERSAL ACCESS DOUBLE DOOR SINK BASE WITH SINGLE DRAWER FRONT**

- Two hinges per door
- One false front
- AD 15", 18", or 21"

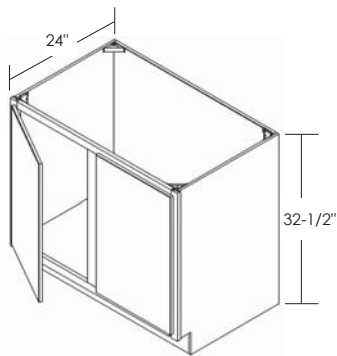
HCSB27

**UNIVERSAL ACCESS DOUBLE DOOR SINK BASE**

- Two hinges per door
- Two false fronts
- AD 15", 18", or 21"

HCSB30  
HCSB33  
HCSB36  
HCSB39  
HCSB42  
HCSB45  
HCSB48

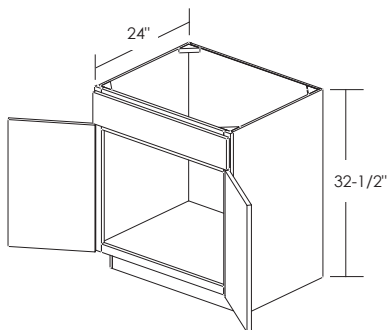
**UNIVERSAL ACCESS CABINETRY**



**UNIVERSAL ACCESS DOUBLE DOOR FULL HEIGHT SINK BASE**

- Two hinges per door
- AD 15", 18", or 21"

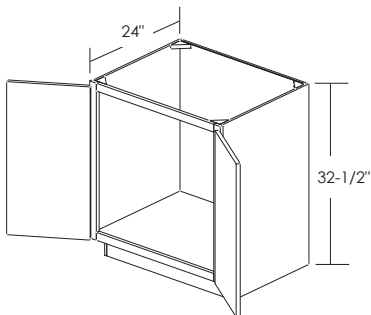
HCSB27FH  
HCSB30FH  
HCSB33FH  
HCSB36FH



**UNIVERSAL ACCESS BUTT DOOR SINK BASE**

- Two hinges per door
- One wide false front
- AD 15", 18", or 21"

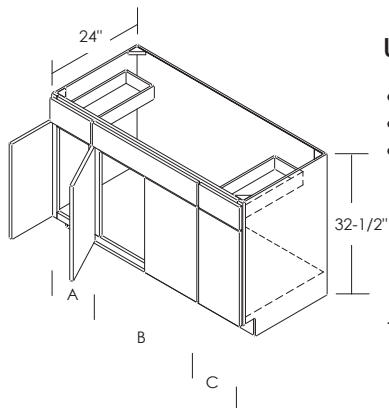
HCSB24BD  
HCSB27BD  
HCSB30BD  
HCSB33BD  
HCSB36BD



**UNIVERSAL ACCESS BUTT DOOR FULL HEIGHT SINK BASE**

- Two hinges per door
- AD 15", 18", or 21"

HCSB24BDFH  
HCSB27BDFH  
HCSB30BDFH  
HCSB33BDFH  
HCSB36BDFH



**UNIVERSAL ACCESS BUTT DOOR SINK BASE COMBINATION**

- Two hinges per door
- One standard depth drawer on each side with one false front center
- AD 21"

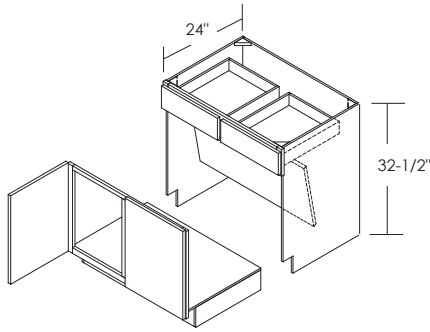
HCSBC54BD  
HCSBC60BD

	A	B	C
HCSBC54BD	12"	30"	12"
HCSBC60BD	15"	30"	15"

AD = Altered depth option

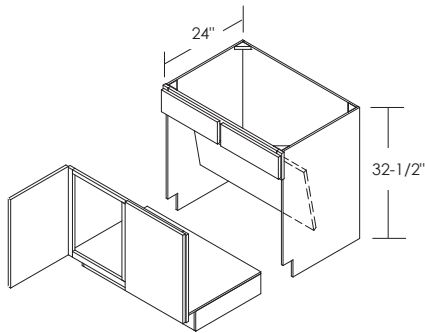
**UNIVERSAL ACCESS CABINETRY**

Cabinet Height: 32-1/2". Toe Kick Height: 5-1/2".

**UNIVERSAL ACCESS ACCESSIBLE BASE**

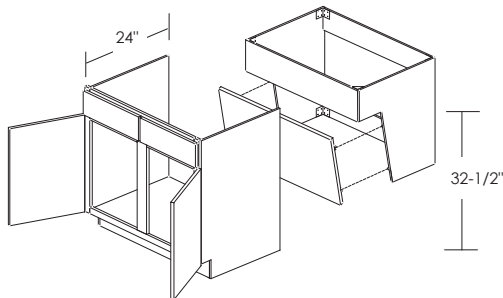
- Two hinges per door
- Two drawers
- Comes standard with a matching interior
- **AD 21"**

HCACB33  
 HCACB36  
 HCACB39  
 HCACB42

**UNIVERSAL ACCESS ACCESSIBLE SINK BASE**

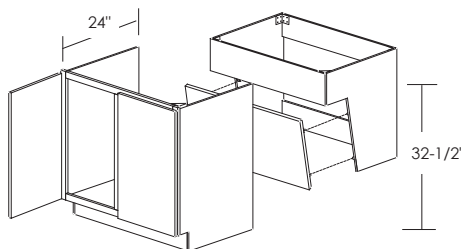
- Two hinges per door
- Two false fronts
- Comes standard with a matching interior
- **AD 21"**

HCACSB33  
 HCACSB36  
 HCACSB39  
 HCACSB42

**UFAS UNIVERSAL ACCESS SINK BASE**

- Two hinges per door
- Two false fronts
- Removable option when 30" or less is available
- Outer cabinet is removable when needed to leave UFAS insert attached to wall
- Designed to meet minimum National ADA clearance requirements
- Insert can be trimmed in field to meet local codes
- Matching interior
- **AD 21"**

UFASHCSB30  
 UFASHCSB33  
 UFASHCSB36

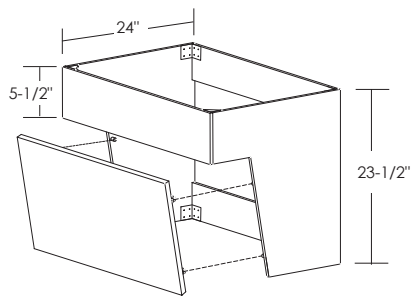
**UFAS UNIVERSAL ACCESS FULL HEIGHT SINK BASE**

- Two hinges per door
- Removable option when 30" or less is available
- Outer cabinet is removable when needed to leave UFAS insert attached to wall
- Designed to meet minimum National ADA clearance requirements
- Insert can be trimmed in field to meet local codes
- Matching interior
- **AD 21"**

UFASHCSB30FH  
 UFASHCSB33FH  
 UFASHCSB36FH

## UNIVERSAL ACCESS CABINETRY

---



### UFAS UNIVERSAL ACCESS SINK BASE INSERT ONLY

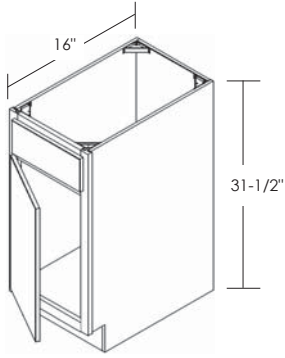
- Baffle is removable for plumbing access
- Designed to meet minimum National ADA clearance requirements
- Insert can be trimmed in field to meet local codes
- Matching interior
- **AD 21"**

UFASIOHCSB30  
UFASIOHCSB33  
UFASIOHCSB36

AD = Altered depth option  
 NTK = No toe kick option

**VANITY BASE CABINETRY**

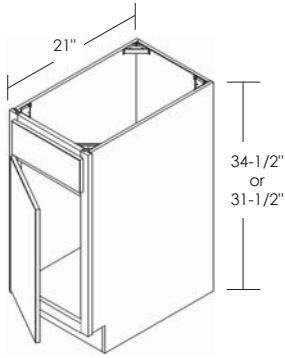
Cabinet Height: 31-1/2" or 34-1/2". Toe Kick Height: 4-1/2".



**SINGLE DOOR VANITY SINK BASE**

- Two hinges per door
- Specify L or R door hinging
- One false front
- NTK

VS1816 L or R



**SINGLE DOOR VANITY SINK BASE**

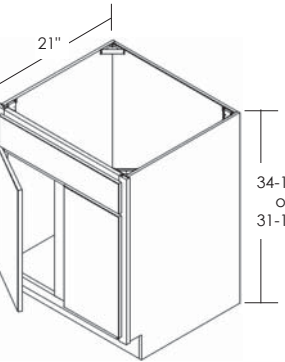
- Two hinges per door
- Specify L or R door hinging
- One false front
- AD 18"
- NTK

**31-1/2" HIGH**

VSB18 L or R  
 VSB21 L or R  
 VSB24 L or R

**34-1/2" HIGH**

VSB18H L or R  
 VSB21H L or R  
 VSB24H L or R



**DOUBLE DOOR VANITY SINK BASE WITH SINGLE DRAWER FRONT**

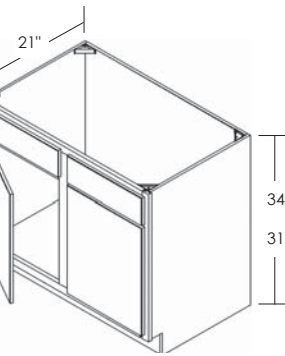
- Two hinges per door
- One false front
- AD 18"
- NTK

**31-1/2" HIGH**

VSB27

**34-1/2" HIGH**

VSB27H



**DOUBLE DOOR VANITY SINK BASE**

- Two hinges per door
- Two false fronts
- AD 18"
- NTK

**31-1/2" HIGH**

VSB30  
 VSB33  
 VSB36  
 VSB39  
 VSB42  
 VSB45  
 VSB48

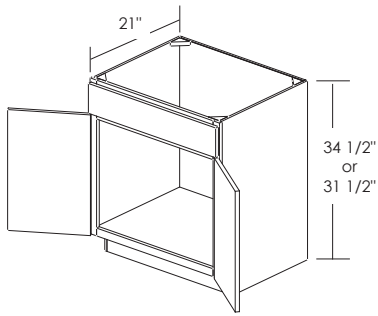
**34-1/2" HIGH**

VSB30H  
 VSB33H  
 VSB36H  
 VSB39H  
 VSB42H  
 VSB45H  
 VSB48H

AD = Altered depth option  
 NTK = No toe kick option

## VANITY BASE CABINETRY

Cabinet Height: 31-1/2" or 34-1/2". Toe Kick Height: 4-1/2".



### BUTT DOOR VANITY SINK BASE

- Two hinges per door
- One wide false front
- **AD 18"**
- **NTK**

#### 31 1/2" HIGH

VSB24BD  
 VSB27BD  
 VSB30BD  
 VSB33BD  
 VSB36BD

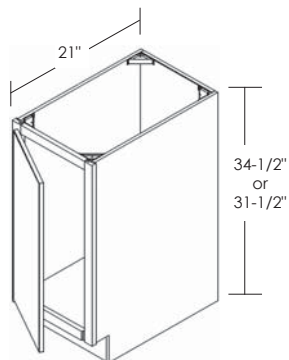
#### 34 1/2" HIGH

VSB24BDH  
 VSB27BDH  
 VSB30BDH  
 VSB33BDH  
 VSB36BDH

AD = Altered depth option  
 NTK = No toe kick option

## VANITY BASE CABINETRY

Cabinet Height: 31-1/2" or 34-1/2". Toe Kick Height: 4-1/2".



### SINGLE DOOR FULL HEIGHT VANITY BASE

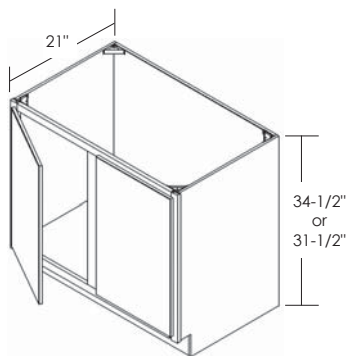
- Two hinges per door
- Specify L or R door hinging
- **AD 18"**
- **NTK**

#### 31-1/2" HIGH

VB09FH L or R  
 VB12FH L or R  
 VB15FH L or R  
 VB18FH L or R  
 VB21FH L or R  
 VB24FH L or R

#### 34-1/2" HIGH

VB09HFH L or R  
 VB12HFH L or R  
 VB15HFH L or R  
 VB18HFH L or R  
 VB21HFH L or R  
 VB24HFH L or R



### DOUBLE DOOR FULL HEIGHT VANITY BASE

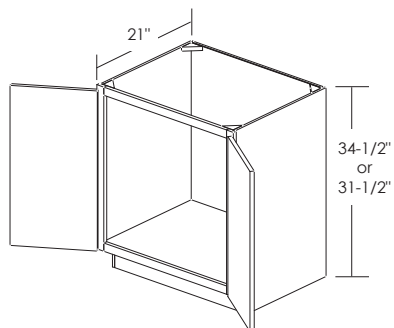
- Two hinges per door
- **AD 18"**
- **NTK**

#### 31-1/2" HIGH

VB27FH  
 VB30FH  
 VB33FH  
 VB36FH  
 VB39FH  
 VB42FH  
 VB45FH  
 VB48FH

#### 34-1/2" HIGH

VB27HFH  
 VB30HFH  
 VB33HFH  
 VB36HFH  
 VB39HFH  
 VB42HFH  
 VB45HFH  
 VB48HFH



### BUTT DOOR FULL HEIGHT VANITY BASE

- Two hinges per door
- **AD 18"**
- **NTK**

#### 31-1/2" HIGH

VB24BDFH  
 VB27BDFH  
 VB30BDFH  
 VB33BDFH  
 VB36BDFH

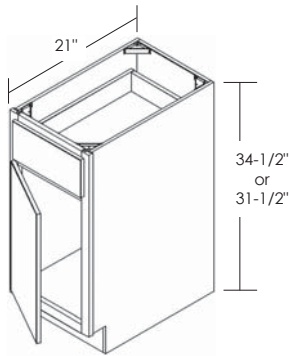
#### 34-1/2" HIGH

VB24BDHFH  
 VB27BDHFH  
 VB30BDHFH  
 VB33BDHFH  
 VB36BDHFH



**VANITY BASE CABINETRY**

Cabinet Height: 31-1/2" or 34-1/2". Toe Kick Height: 4-1/2".



**VANITY BASE SINGLE DOOR AND DRAWER**

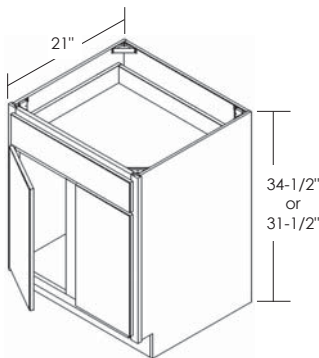
- Two hinges per door
- Specify L or R door hinging
- NTK

**31-1/2" HIGH**

- VB09 L or R
- VB12 L or R
- VB15 L or R
- VB18 L or R
- VB21 L or R
- VB24 L or R

**34-1/2" HIGH**

- VB09H L or R
- VB12H L or R
- VB15H L or R
- VB18H L or R
- VB21H L or R
- VB24H L or R



**VANITY BASE DOUBLE DOOR AND SINGLE DRAWER**

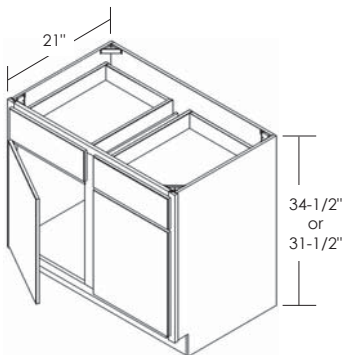
- Two hinges per door
- NTK

**31-1/2" HIGH**

- VB27

**34-1/2" HIGH**

- VB27H



**VANITY BASE DOUBLE DOOR AND DOUBLE DRAWER**

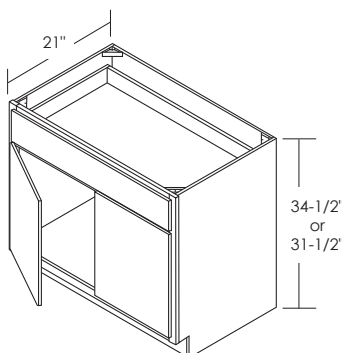
- Two hinges per door
- NTK

**31-1/2" HIGH**

- VB30
- VB33
- VB36
- VB39
- VB42
- VB45
- VB48

**34-1/2" HIGH**

- VB30H
- VB33H
- VB36H
- VB39H
- VB42H
- VB45H
- VB48H



**VANITY BASE BUTT DOOR AND SINGLE WIDE DRAWER**

- Two hinges per door
- NTK

**31-1/2" HIGH**

- VB24BD
- VB27BD
- VB30BD
- VB33BD
- VB36BD

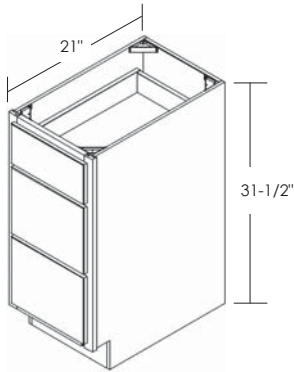
**34-1/2" HIGH**

- VB24BDH
- VB27BDH
- VB30BDH
- VB33BDH
- VB36BDH

NTK = No toe kick option

## VANITY BASE CABINETRY

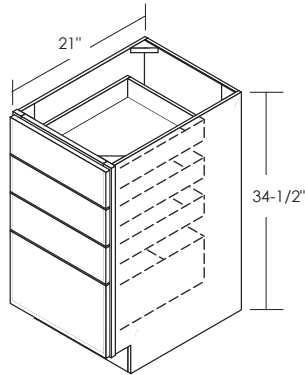
Cabinet Height: 31-1/2" or 34-1/2". Toe Kick Height: 4-1/2".

**THREE DRAWER VANITY BASE**

- One standard height drawer on top and two deep drawers on bottom
- NTK

**31-1/2" HIGH**

VDB12-3  
 VDB15-3  
 VDB18-3  
 VDB21-3  
 VDB24-3  
 VDB27-3  
 VDB30-3  
 VDB36-3

**TALL FOUR DRAWER VANITY BASE**

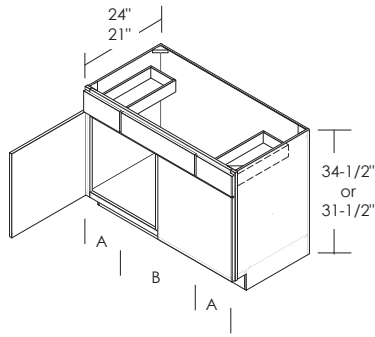
- Three standard height drawers on top and one deep bottom drawer
- NTK

**34-1/2" HIGH**

VDB12H-4  
 VDB15H-4  
 VDB18H-4  
 VDB21H-4  
 VDB24H-4  
 VDB27H-4  
 VDB30H-4  
 VDB36H-4

**VANITY BASE CABINETRY**

Cabinet Height: 31-1/2" or 34-1/2". Toe Kick Height: 4-1/2".



**COMBO DOUBLE DOOR VANITY SINK BASE WITH TWO DRAWERS**

- Two hinges per door
- Two standard depth drawers on each side with one false front center
- AD 24"

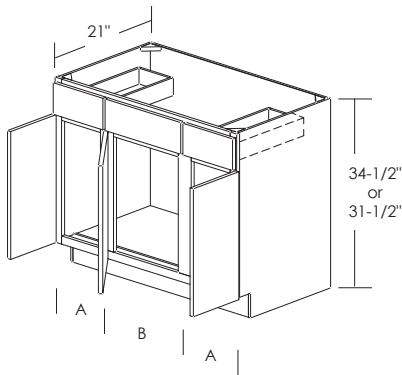
**31-1/2" HIGH**

CVSB36  
CVSB39  
CVSB42  
CVSB45  
CVSB48

**34-1/2" HIGH**

CVSB36H  
CVSB39H  
CVSB42H  
CVSB45H  
CVSB48H

	A	B	A
CVSB36	9"	18"	9"
CVSB39	9"	21"	9"
CVSB42	12"	18"	12"
CVSB45	12"	21"	12"
CVSB48	12"	24"	12"



**COMBO THREE DOOR VANITY SINK BASE WITH TWO DRAWERS**

- Two hinges per door
- Two standard depth drawers on each side with one false front center

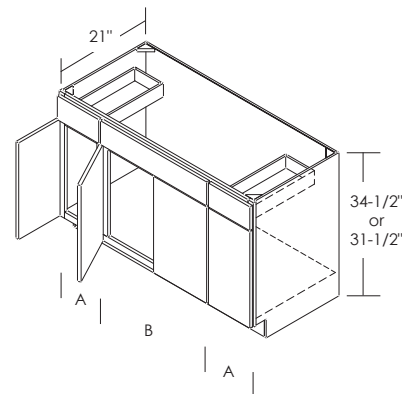
**31-1/2" HIGH**

CVB48

**34-1/2" HIGH**

CVB48H

	A	B	A
CVB48/CVB48H	15"	18"	15"



**COMBO FOUR DOOR VANITY SINK BASE WITH TWO DRAWERS**

- Two hinges per door
- Two standard depth drawers on each side with one false front center

**31-1/2" HIGH**

CVB54BD  
CVB60BD

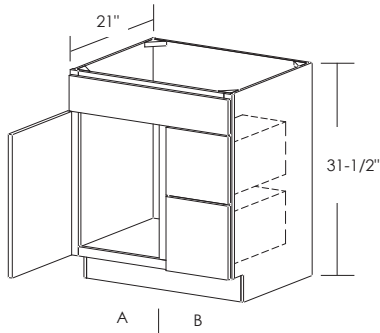
**34-1/2" HIGH**

CVB54BDH  
CVB60BDH

	A	B	A
CVB54BD/CVB54BDH	12"	30"	12"
CVB60BD/CVB60BDH	15"	30"	15"

**VANITY BASE CABINETRY**

Cabinet Height: 31-1/2" or 34-1/2". Toe Kick Height: 4-1/2".



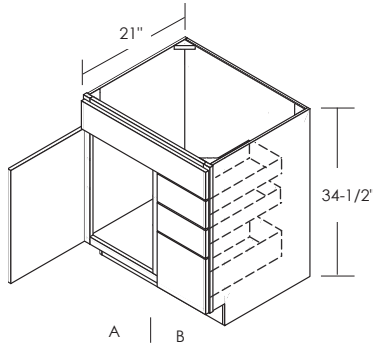
CVDB30L shown

**COMBO VANITY SINGLE DOOR SINK WITH TWO DRAWER BASE**

- Two hinges per door
- One false front on top with two deep drawers below
- Specify L or R for door hinging and sink base location

**31-1/2" HIGH**  
CVDB30 L or R

	A	B
CVDB30 L or R	18"	12"



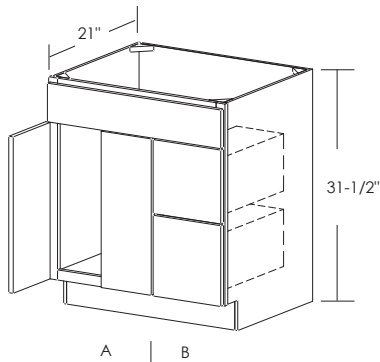
CVDB30HL shown

**TALL COMBO VANITY SINGLE DOOR SINK WITH THREE DRAWER BASE**

- Two hinges per door
- One false front with two standard drawers and one deep drawer
- Specify L or R for door hinging and sink base location

**34-1/2" HIGH**  
CVDB30H L or R

	A	B
CVDB30H L or R	18"	12"



CVDB36BDL shown

**COMBO VANITY BUTT DOOR SINK WITH TWO DRAWER BASE**

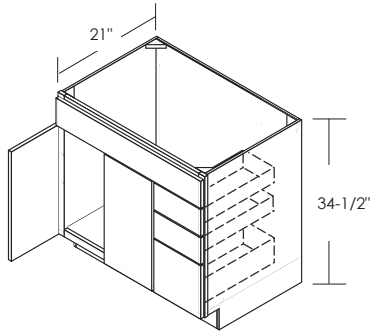
- Two hinges per door
- One false front on top with two deep drawers below
- CVDB42BD L or R will have two false fronts on top
- Specify L or R for sink base location

**31-1/2" HIGH**  
CVDB36BD L or R  
CVDB42BD L or R

	A	B
CVDB36BD L or R	24"	12"
CVDB42BD L or R	30"	12"

**VANITY BASE CABINETRY**

Cabinet Height: 31-1/2" or 34-1/2". Toe Kick Height: 4-1/2".



A | B  
CVDB36BDH L or R

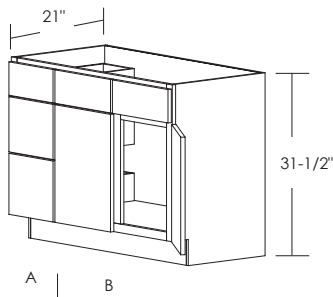
**TALL COMBO VANITY BUTT DOOR SINK WITH THREE DRAWER BASE**

- Two hinges per door
- One false front with two standard drawers and one deep drawer
- CVDB42BDH L or R will have two false fronts on top
- Specify L or R for sink base location

**34-1/2" HIGH**

CVDB36BDH L or R  
CVDB42BDH L or R

	A	B
CVDB36BDH L or R	24"	12"
CVDB42BDH L or R	30"	12"



A | B

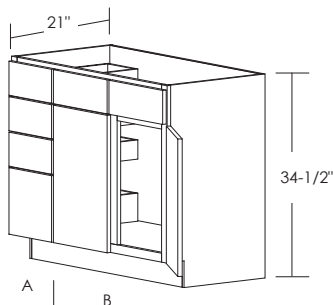
**COMBO VANITY DOUBLE DOOR SINK WITH THREE DRAWER BASE**

- Two hinges per door
- Two false fronts with one standard drawer and two deep drawers
- Specify L or R for sink base location

**31-1/2" HIGH**

CVSDB42 L or R  
CVSDB48 L or R  
CVSDB54 L or R

	A	B
CVSDB42 L or R	12"	30"
CVSDB48 L or R	12"	36"
CVSDB54 L or R	12"	42"



A | B

**TALL COMBO VANITY DOUBLE DOOR SINK WITH FOUR DRAWER BASE**

- Two hinges per door
- Two false fronts with three standard drawers and one deep drawer
- Specify L or R for sink base location

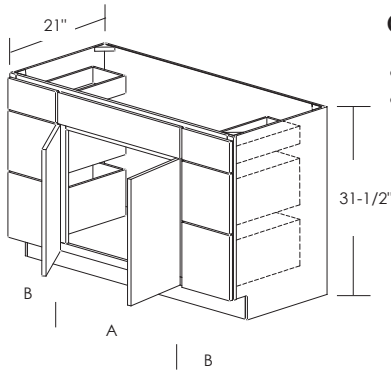
**34-1/2" HIGH**

CVSDB42H L or R  
CVSDB48H L or R  
CVSDB54H L or R

	A	B
CVSDB42H L or R	12"	30"
CVSDB48H L or R	12"	36"
CVSDB54H L or R	12"	42"

**VANITY BASE CABINETRY**

Cabinet Height: 31-1/2". Toe Kick Height: 4-1/2".



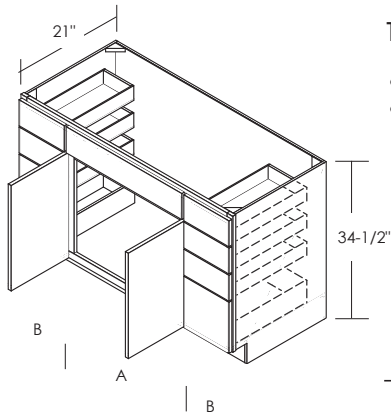
**COMBO VANITY BUTT DOOR SINK WITH SIX DRAWERS**

- Two hinges per door
- One standard depth drawer and two deep drawers on each side with one false front center

**31-1/2" HIGH**

- CVDB48BD
- CVDB54BD
- CVDB60BD

	A	B
CVDB48BD	24"	12"
CVDB54BD	30"	12"
CVDB60BD	30"	15"



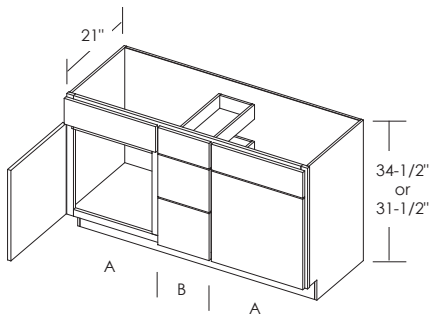
**TALL COMBO VANITY BUTT DOOR SINK WITH EIGHT DRAWERS**

- Two hinges per door
- Three standard drawers and one deep drawer on each side with one false front center

**34-1/2" HIGH**

- CVDB48BDH
- CVDB54BDH
- CVDB60BDH

	A	B
CVDB48BDH	24"	12"
CVDB54BDH	30"	12"
CVDB60BDH	30"	15"



**COMBO DOUBLE VANITY SINK BASE WITH THREE DRAWERS**

- Double vanities separated by a three drawer base in the center
- Two hinges per door
- One standard depth drawer and two deep drawers

**31-1/2" HIGH**

- CVDSDB54
- CVDSDB60

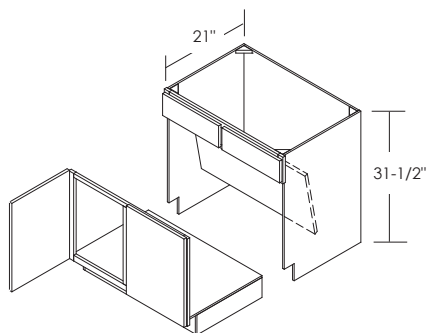
**34-1/2" HIGH**

- CVDSDB54H
- CVDSDB60H

	A	B	A
CVDSDB54 / CVDSDB54H	21"	12"	21"
CVDSDB60 / CVDSDB60H	24"	12"	24"

## VANITY BASE CABINETRY

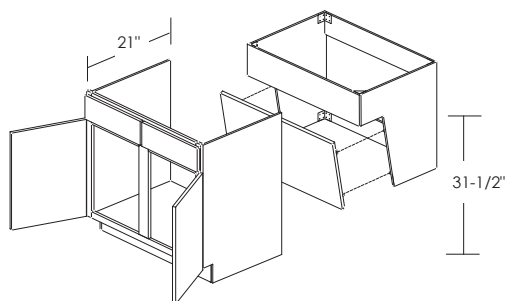
Cabinet Height: 31-1/2". Toe Kick Height: 4-1/2".



### ACCESSIBLE VANITY SINK BASE

- Two hinges per door
- Two false fronts

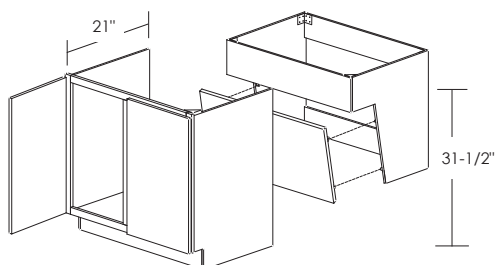
VACSB33  
VACSB36  
VACSB39  
VACSB42  
VACSB45  
VACSB48



### UFAS VANITY SINK BASE

- Two hinges per door
- Two false fronts
- Removable option when 30" or less is available
- Outer cabinet is removable when needed to leave UFAS insert attached to wall
- Designed to meet minimum National ADA clearance requirements
- Insert can be trimmed in field to meet local codes
- Matching interior on insert

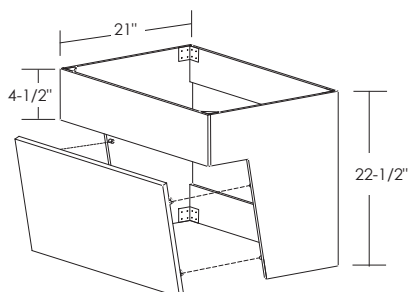
UFASV30  
UFASV33  
UFASV36



### UFAS VANITY FULL HEIGHT SINK BASE AND INSERT

- Two hinges per door

UFASV30FH  
UFASV33FH  
UFASV36FH



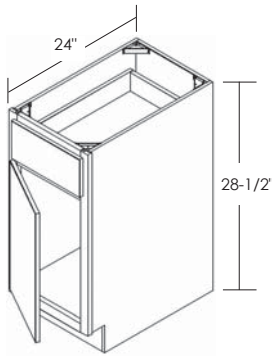
### UFAS VANITY SINK BASE INSERT ONLY

UFASIOV30  
UFASIOV33  
UFASIOV36

AD = Altered depth option  
 FDS = Full depth shelf option

## DESK BASE CABINETRY

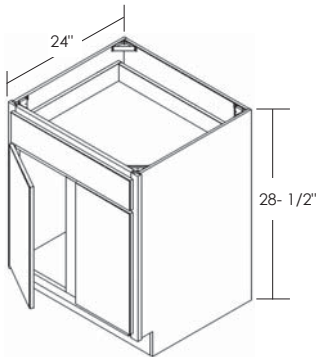
Cabinet Height: 28-1/2". Toe Kick Height: 4-1/2".



### DESK BASE SINGLE DOOR AND DRAWER

- Two hinges per door
- Specify L or R door hinging
- Comes with adjustable half depth shelf
- **AD 21"**
- **FDS**

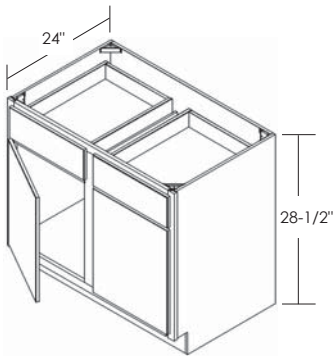
DKB12 L or R  
 DKB15 L or R  
 DKB18 L or R  
 DKB21 L or R  
 DKB24 L or R



### DESK BASE DOUBLE DOOR AND SINGLE DRAWER

- Two hinges per door
- Comes with adjustable half depth shelf
- **AD 21"**
- **FDS**

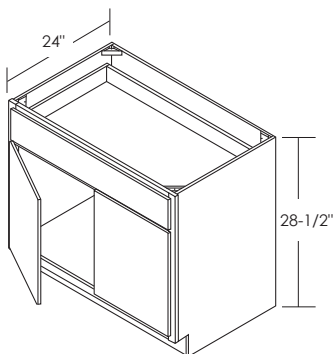
DKB27



### DESK BASE DOUBLE DOOR AND DOUBLE DRAWER

- Two hinges per door
- Comes with adjustable half depth shelf
- **AD 21"**
- **FDS**

DKB30  
 DKB33  
 DKB36  
 DKB39  
 DKB42  
 DKB45  
 DKB48



### DESK BASE BUTT DOOR AND WIDE SINGLE DRAWER

- Two hinges per door
- Comes with adjustable half depth shelf
- **AD 21"**
- **FDS**

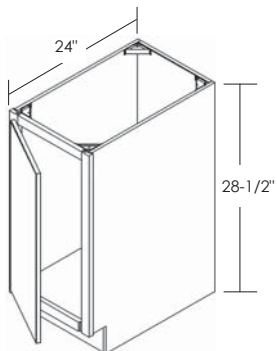
DKB24BD  
 DKB27BD  
 DKB30BD  
 DKB33BD  
 DKB36BD\*

\* FDS is not available on DKB36BD



## DESK BASE CABINETS

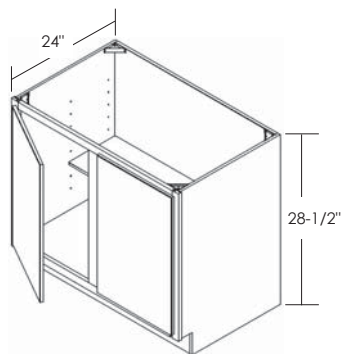
Cabinet Height: 28-1/2". Toe Kick Height: 4-1/2".



### DESK BASE FULL HEIGHT SINGLE DOOR

- Two hinges per door
- Specify L or R door hinging
- Comes with adjustable half depth shelf
- **AD 18" or 21"**
- **FDS**

DKB09FH L or R  
 DKB12FH L or R  
 DKB15FH L or R  
 DKB18FH L or R  
 DKB21FH L or R  
 DKB24FH L or R



### DESK BASE FULL HEIGHT DOUBLE DOOR

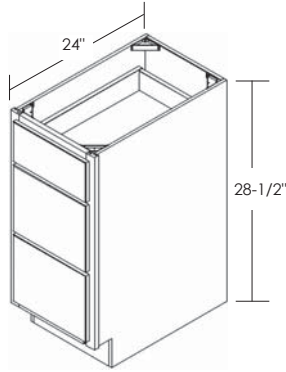
- Two hinges per door
- Comes with adjustable half depth shelf
- **AD 18" or 21"**
- **FDS**

DKB27FH  
 DKB30FH  
 DKB33FH  
 DKB36FH  
 DKB39FH  
 DKB42FH  
 DKB45FH  
 DKB48FH

AD = Altered depth option

## DESK BASE CABINETY

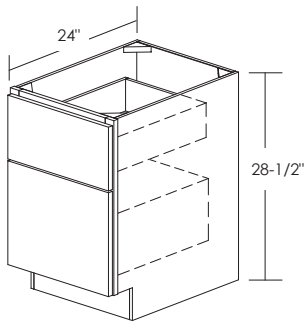
Cabinet Height: 28-1/2". Toe Kick Height: 4-1/2".



## THREE DRAWER DESK BASE

- One standard depth drawer on top and two deep drawers on bottom
- **AD 21"**

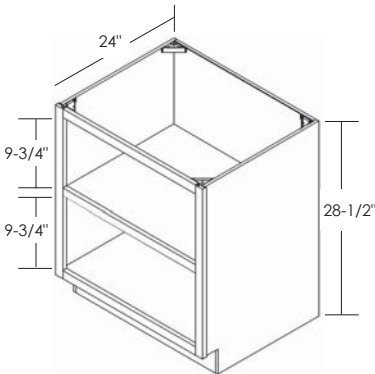
DKDB12-3  
DKDB15-3  
DKDB18-3  
DKDB21-3  
DKDB24-3



## FILE DRAWER DESK BASE

- One standard height drawer
- Deep drawer on bottom to accommodate files
- **AD 21"**

DKFD18



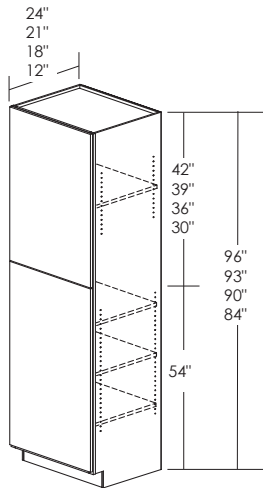
## DESK BASE BOOKSHELF

- Two 9- 3/4" H openings
- Color matching interior
- Fixed full depth shelf
- **AD 12", 18", or 21"**

DKBBS18  
DKBBS21  
DKBBS24  
DKBBS27  
DKBBS30

TALL CABINETRY

Toe Kick Height: 4-1/2".



PANTRY CABINET WITH SINGLE DOORS

- Bottom door has three hinges. Upper door has two hinges, except 96" high cabinets have three hinges on top door
- Specify L or R door hinging
- Comes with three full depth adjustable shelves in lower section and one full depth adjustable shelf in upper section.
- **93" and 96" tall cabinets must also order Toe Box Platform (TBOX\_\_\_\_\_)**. This design will aid when installing in low ceiling heights. Additional material may be needed to cover the seam between the toekick platform and the end panel.
- Fixed center bottom behind the center rail

12" DEEP CABINETS

P1284X12 L or R  
P1584X12 L or R  
P1884X12 L or R  
P2184X12 L or R

P1290X12 L or R  
P1590X12 L or R  
P1890X12 L or R  
P2190X12 L or R

P1293X12 L or R  
P1593X12 L or R  
P1893X12 L or R  
P2193X12 L or R

P1296X12 L or R  
P1596X12 L or R  
P1896X12 L or R  
P2196X12 L or R

18" DEEP CABINETS

P1284X18 L or R  
P1584X18 L or R  
P1884X18 L or R  
P2184X18 L or R

P1290X18 L or R  
P1590X18 L or R  
P1890X18 L or R  
P2190X18 L or R

P1293X18 L or R  
P1593X18 L or R  
P1893X18 L or R  
P2193X18 L or R

P1296X18 L or R  
P1596X18 L or R  
P1896X18 L or R  
P2196X18 L or R

21" DEEP CABINETS

P1284X21 L or R  
P1584X21 L or R  
P1884X21 L or R  
P2184X21 L or R

P1290X21 L or R  
P1590X21 L or R  
P1890X21 L or R  
P2190X21 L or R

P1293X21 L or R  
P1593X21 L or R  
P1893X21 L or R  
P2193X21 L or R

P1296X21 L or R  
P1596X21 L or R  
P1896X21 L or R  
P2196X21 L or R

24" DEEP CABINETS

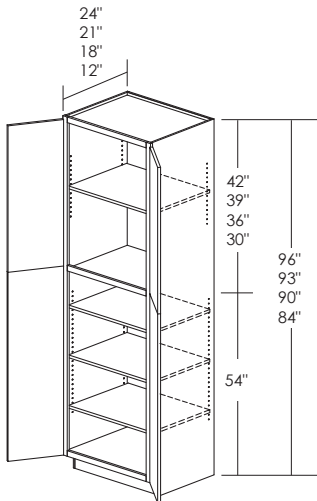
P1284X24 L or R  
P1584X24 L or R  
P1884X24 L or R  
P2184X24 L or R

P1290X24 L or R  
P1590X24 L or R  
P1890X24 L or R  
P2190X24 L or R

P1293X24 L or R  
P1593X24 L or R  
P1893X24 L or R  
P2193X24 L or R

P1296X24 L or R  
P1596X24 L or R  
P1896X24 L or R  
P2196X24 L or R

TALLS



PANTRY CABINET WITH BUTT DOORS

- Bottom door has three hinges. Upper door has two hinges, except 96" high cabinets have three hinges on top door
- Comes with butt doors on top and bottom sections
- Comes with three full depth adjustable shelves in lower section and one full depth adjustable shelf in upper section.
- **93" and 96" tall cabinets must also order Toe Box Platform (TBOX\_\_\_\_\_)**. This design will aid when installing in low ceiling heights. Additional material may be needed to cover the seam between the toekick platform and the end panel.
- Fixed center bottom behind the center rail

12" DEEP CABINETS

P2484BDX12  
P2784BDX12

P2490BDX12  
P2790BDX12

P2493BDX12  
P2793BDX12

P2496BDX12  
P2796BDX12

18" DEEP CABINETS

P2484BDX18  
P2784BDX18

P2490BDX18  
P2790BDX18

P2493BDX18  
P2793BDX18

P2496BDX18  
P2796BDX18

21" DEEP CABINETS

P2484BDX21  
P2784BDX21

P2490BDX21  
P2790BDX21

P2493BDX21  
P2793BDX21

P2496BDX21  
P2796BDX21

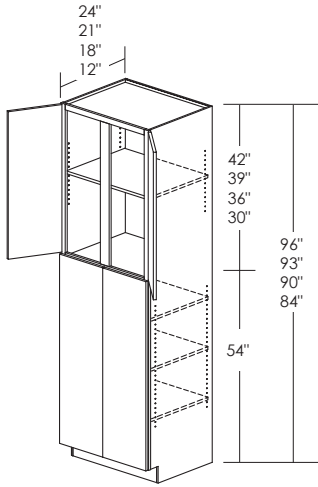
24" DEEP CABINETS

P2484BDX24  
P2784BDX24

P2490BDX24  
P2790BDX24

P2493BDX24  
P2793BDX24

P2496BDX24  
P2796BDX24



**PANTRY CABINET WITH BUTT DOORS**

- Bottom door has three hinges. Upper door has two hinges, except 96" high cabinets have three hinges on top door
- Comes with butt doors on top and bottom sections
- Top section will have vertical mullion. Bottom section has no mullion.
- Comes with three full depth adjustable shelves in lower section and one full depth adjustable shelf in upper section.
- **93" and 96" tall cabinets must also order Toe Box Platform (TBOX\_\_\_\_\_)**. This design will aid when installing in low ceiling heights. Additional material may be needed to cover the seam between the toekick platform and the end panel.
- Fixed center bottom behind the center rail

**12" DEEP CABINETS**

- P3084BDX12
- P3384BDX12
- P3684BDX12
  
- P3090BDX12
- P3390BDX12
- P3690BDX12
  
- P3093BDX12
- P3393BDX12
- P3693BDX12
  
- P3096BDX12
- P3396BDX12
- P3696BDX12

**18" DEEP CABINETS**

- P3084BDX18
- P3384BDX18
- P3684BDX18
  
- P3090BDX18
- P3390BDX18
- P3690BDX18
  
- P3093BDX18
- P3393BDX18
- P3693BDX18
  
- P3096BDX18
- P3396BDX18
- P3696BDX18

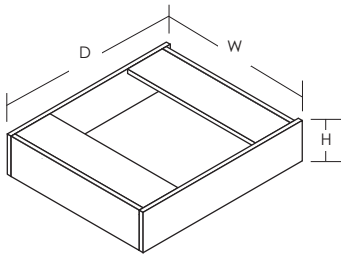
**21" DEEP CABINETS**

- P3084BDX21
- P3384BDX21
- P3684BDX21
  
- P3090BDX21
- P3390BDX21
- P3690BDX21
  
- P3093BDX21
- P3393BDX21
- P3693BDX21
  
- P3096BDX21
- P3396BDX21
- P3696BDX21

**24" DEEP CABINETS**

- P3084BDX24
- P3384BDX24
- P3684BDX24
  
- P3090BDX24
- P3390BDX24
- P3690BDX24
  
- P3093BDX24
- P3393BDX24
- P3693BDX24
  
- P3096BDX24
- P3396BDX24
- P3696BDX24

**TOE BOX PLATFORM**

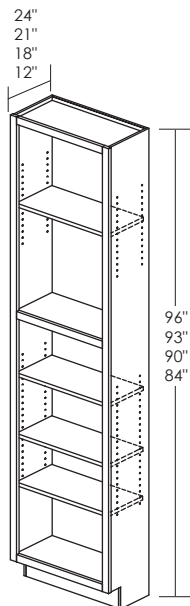


- For use with 93"H and 96"H Tall Cabinets (4-1/2"H)
- When installed the cabinet will overhang the platform 1/16" on each side

	W Width	D Depth	H Height		W Width	D Depth	H Height		W Width	D Depth	H Height
TBOX1212	11-1/2"	8-1/2"	4-1/2"	TBOX2112	20-1/2"	8-1/2"	4-1/2"	TBOX3012	29-1/2"	8-1/2"	4-1/2"
TBOX1218	11-1/2"	14-1/2"	4-1/2"	TBOX2118	20-1/2"	14-1/2"	4-1/2"	TBOX3018	29-1/2"	14-1/2"	4-1/2"
TBOX1221	11-1/2"	17-1/2"	4-1/2"	TBOX2121	20-1/2"	17-1/2"	4-1/2"	TBOX3021	29-1/2"	17-1/2"	4-1/2"
TBOX1224	11-1/2"	20-1/2"	4-1/2"	TBOX2124	20-1/2"	20-1/2"	4-1/2"	TBOX3024	29-1/2"	20-1/2"	4-1/2"
TBOX1512	14-1/2"	8-1/2"	4-1/2"	TBOX2412	23-1/2"	8-1/2"	4-1/2"	TBOX3312	32-1/2"	8-1/2"	4-1/2"
TBOX1518	14-1/2"	14-1/2"	4-1/2"	TBOX2418	23-1/2"	14-1/2"	4-1/2"	TBOX3318	32-1/2"	14-1/2"	4-1/2"
TBOX1521	14-1/2"	17-1/2"	4-1/2"	TBOX2421	23-1/2"	17-1/2"	4-1/2"	TBOX3321	32-1/2"	17-1/2"	4-1/2"
TBOX1524	14-1/2"	20-1/2"	4-1/2"	TBOX2424	23-1/2"	20-1/2"	4-1/2"	TBOX3324	2-1/2"	20-1/2"	4-1/2"
TBOX1812	17-1/2"	8-1/2"	4-1/2"	TBOX2712	26-1/2"	8-1/2"	4-1/2"	TBOX3612	35-1/2"	8-1/2"	4-1/2"
TBOX1818	17-1/2"	14-1/2"	4-1/2"	TBOX2718	26-1/2"	14-1/2"	4-1/2"	TBOX3618	35-1/2"	14-1/2"	4-1/2"
TBOX1821	17-1/2"	17-1/2"	4-1/2"	TBOX2721	26-1/2"	17-1/2"	4-1/2"	TBOX3621	35-1/2"	17-1/2"	4-1/2"
TBOX1824	17-1/2"	20-1/2"	4-1/2"	TBOX2724	26-1/2"	20-1/2"	4-1/2"	TBOX3624	35-1/2"	20-1/2"	4-1/2"

# TALL CABINETRY

Toe Kick Height: 4-1/2".



## TALL BOOKSHELF

- Comes with three full depth adjustable shelves in lower section and one full depth adjustable shelf in upper section.
- Comes with matching interior finish.
- **93" and 96" tall cabinets must also order Toe Box Platform (TBOX\_\_\_\_\_).** This design will aid when installing in low ceiling heights. Additional material may be needed to cover the seam between the toekick platform and the end panel.
- Fixed center bottom behind the center rail

### 12" DEEP CABINETS

- TBS1284X12
- TBS1584X12
- TBS1884X12
- TBS2184X12
- TBS2484X12
- TBS2784X12
- TBS3084X12
- TBS3384X12
- TBS3684X12
- TBS1290X12
- TBS1590X12
- TBS1890X12
- TBS2190X12
- TBS2490X12
- TBS2790X12
- TBS3090X12
- TBS3390X12
- TBS3690X12
- TBS1293X12
- TBS1593X12
- TBS1893X12
- TBS2193X12
- TBS2493X12
- TBS2793X12
- TBS3093X12
- TBS3393X12
- TBS3693X12
- TBS1296X12
- TBS1596X12
- TBS1896X12
- TBS2196X12
- TBS2496X12
- TBS2796X12
- TBS3096X12
- TBS3396X12
- TBS3696X12

### 18" DEEP CABINETS

- TBS1284X18
- TBS1584X18
- TBS1884X18
- TBS2184X18
- TBS2484X18
- TBS2784X18
- TBS3084X18
- TBS3384X18
- TBS3684X18
- TBS1290X18
- TBS1590X18
- TBS1890X18
- TBS2190X18
- TBS2490X18
- TBS2790X18
- TBS3090X18
- TBS3390X18
- TBS3690X18
- TBS1293X18
- TBS1593X18
- TBS1893X18
- TBS2193X18
- TBS2493X18
- TBS2793X18
- TBS3093X18
- TBS3393X18
- TBS3693X18
- TBS1296X18
- TBS1596X18
- TBS1896X18
- TBS2196X18
- TBS2496X18
- TBS2796X18
- TBS3096X18
- TBS3396X18
- TBS3696X18

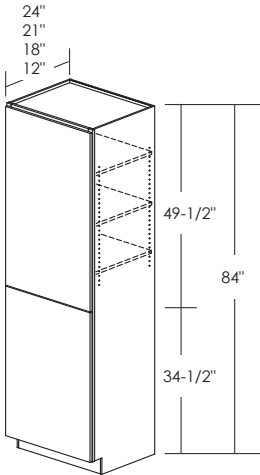
### 21" DEEP CABINETS

- TBS1284X21
- TBS1584X21
- TBS1884X21
- TBS2184X21
- TBS2484X21
- TBS2784X21
- TBS3084X21
- TBS3384X21
- TBS3684X21
- TBS1290X21
- TBS1590X21
- TBS1890X21
- TBS2190X21
- TBS2490X21
- TBS2790X21
- TBS3090X21
- TBS3390X21
- TBS3690X21
- TBS1293X21
- TBS1593X21
- TBS1893X21
- TBS2193X21
- TBS2493X21
- TBS2793X21
- TBS3093X21
- TBS3393X21
- TBS3693X21
- TBS1296X21
- TBS1596X21
- TBS1896X21
- TBS2196X21
- TBS2496X21
- TBS2796X21
- TBS3096X21
- TBS3396X21
- TBS3696X21

### 24" DEEP CABINETS

- TBS1284X24
- TBS1584X24
- TBS1884X24
- TBS2184X24
- TBS2484X24
- TBS2784X24
- TBS3084X24
- TBS3384X24
- TBS3684X24
- TBS1290X24
- TBS1590X24
- TBS1890X24
- TBS2190X24
- TBS2490X24
- TBS2790X24
- TBS3090X24
- TBS3390X24
- TBS3690X24
- TBS1293X24
- TBS1593X24
- TBS1893X24
- TBS2193X24
- TBS2493X24
- TBS2793X24
- TBS3093X24
- TBS3393X24
- TBS3693X24
- TBS1296X24
- TBS1596X24
- TBS1896X24
- TBS2196X24
- TBS2496X24
- TBS2796X24
- TBS3096X24
- TBS3396X24
- TBS3696X24

TALLS



**LINEN CABINET WITH SINGLE DOORS**

- Three hinges per door on upper door, two hinges per door on bottom door
- Specify L or R door hinging
- Comes with three full depth adjustable shelves in upper section
- Bottom door is same height as a full height kitchen base
- Can be used with 34-1/2 high vanity cabinets
- Fixed center bottom behind the center rail

**12" DEEP CABINETS**

LC1284X12 L or R  
 LC1584X12 L or R  
 LC1884X12 L or R  
 LC2184X12 L or R

**18" DEEP CABINETS**

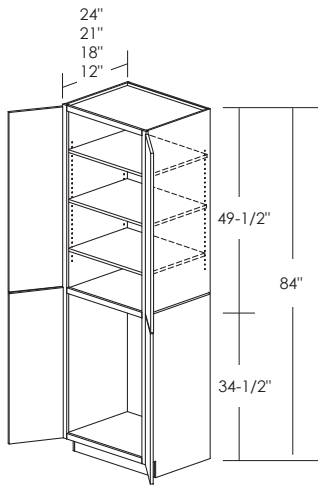
LC1284X18 L or R  
 LC1584X18 L or R  
 LC1884X18 L or R  
 LC2184X18 L or R

**21" DEEP CABINETS**

LC1284X21 L or R  
 LC1584X21 L or R  
 LC1884X21 L or R  
 LC2184X21 L or R

**24" DEEP CABINETS**

LC1284X24 L or R  
 LC1584X24 L or R  
 LC1884X24 L or R  
 LC2184X24 L or R



**LINEN CABINET WITH BUTT DOORS**

- Three hinges per door on upper doors, two hinges per door on bottom doors
- Comes with three full depth adjustable shelves in upper section
- Two butt doors on top and bottom sections
- Bottom door is same height as a full height kitchen base
- Can be used with 34-1/2 high vanity cabinets
- Fixed center bottom behind the center rail

**12" DEEP CABINETS**

LC2484BDX12  
 LC2784BDX12

**18" DEEP CABINETS**

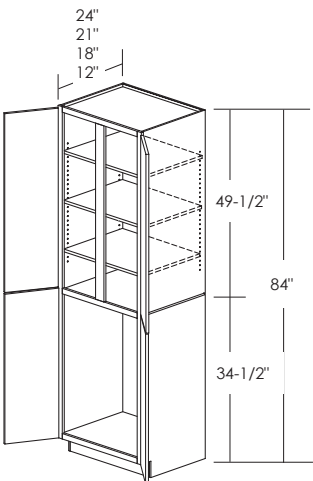
LC2484BDX18  
 LC2784BDX18

**21" DEEP CABINETS**

LC2484BDX21  
 LC2784BDX21

**24" DEEP CABINETS**

LC2484BDX24  
 LC2784BDX24



**LINEN CABINET WITH BUTT DOORS**

- Three hinges per door on upper doors, two hinges per door on bottom doors
- Comes with three full depth adjustable shelves in upper section
- Two butt doors on top and bottom sections
- Top section will have vertical mullion. Bottom section has no mullion
- Bottom door is same height as a full height kitchen base
- Can be used with 34-1/2 high vanity cabinets
- Fixed center bottom behind the center rail

**12" DEEP CABINETS**

LC3084BDX12  
 LC3384BDX12  
 LC3684BDX12

**18" DEEP CABINETS**

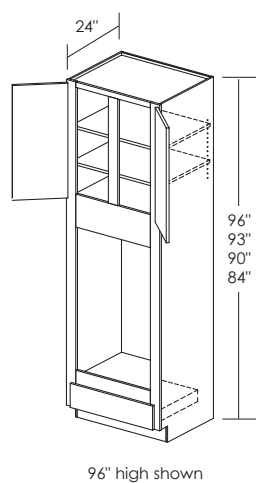
LC3084BDX18  
 LC3384BDX18  
 LC3684BDX18

**21" DEEP CABINETS**

LC3084BDX21  
 LC3384BDX21  
 LC3684BDX21

**24" DEEP CABINETS**

LC3084BDX24  
 LC3384BDX24  
 LC3684BDX24



### DOUBLE OVEN CABINET WITH SINGLE DRAWER

- Two hinges per door on upper doors
- One drawer on bottom
- 96" high has two adjustable shelves. 84" and 90" high have one adjustable shelf.
- **93" and 96" tall cabinets must also order Toe Box Platform (TBOX\_\_\_)**. This design will aid when installing in low ceiling heights. Additional material may be needed to cover the seam between the toekick platform and the end panel.
- Fixed center bottom behind the center rail
- Refer to page C6 for cut out instructions

#### 24" DEEP CABINETS

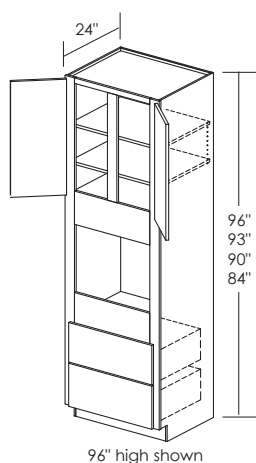
OVD2784X24  
OVD3084X24  
OVD3384X24

OVD2790X24  
OVD3090X24  
OVD3390X24

OVD2793X24  
OVD3093X24  
OVD3393X24

OVD2796X24  
OVD3096X24  
OVD3396X24

### SINGLE OVEN CABINET WITH TWO DRAWERS



- Two hinges per door on upper doors
- Two drawers on bottom
- 96" high has two adjustable shelves. 84" and 90" high have one adjustable shelf.
- **93" and 96" tall cabinets must also order Toe Box Platform (TBOX\_\_\_)**. This design will aid when installing in low ceiling heights. Additional material may be needed to cover the seam between the toekick platform and the end panel.
- Fixed center bottom behind the center rail
- Refer to page C6 for cut out instructions

#### 24" DEEP CABINETS

OVS2784X24  
OVS3084X24  
OVS3384X24

OVS2790X24  
OVS3090X24  
OVS3390X24

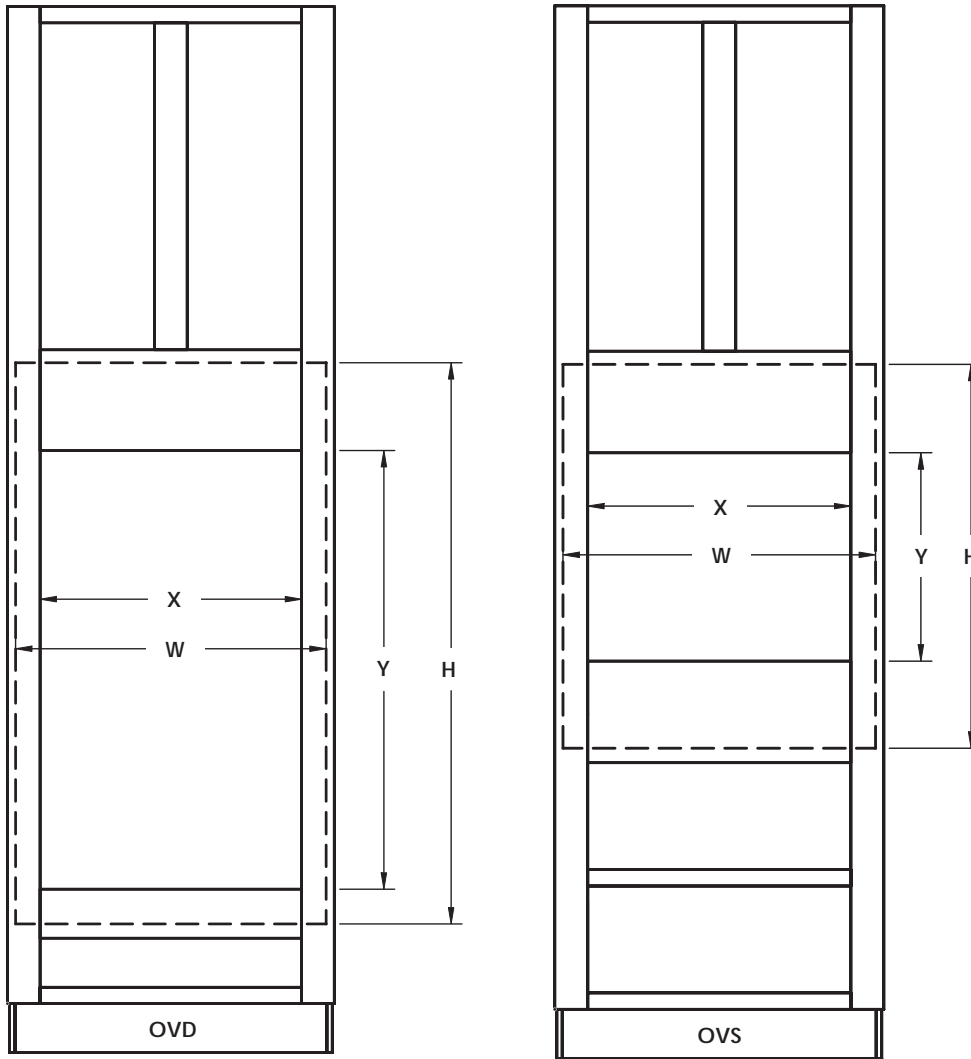
OVS2793X24  
OVS3093X24  
OVS3393X24

OVS2796X24  
OVS3096X24  
OVS3396X24

CUT OUT INSTRUCTIONS FOR OVEN CABINETS

Toe Kick Height: 4-1/2"

TALLS

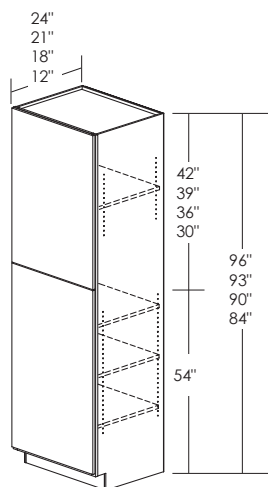


Cabinet	X = Open Width	W = Max Cut-Out Width	Y = Open Height	H = Max Cut-Out Height
OVS27__	21"	25-1/2"	19-1/2"	35"
OVS30__	24"	28-1/2"	19-1/2"	35"
OVS33__	27"	31-1/2"	19-1/2"	35"
OVS27__	21"	25-1/2"	40-1/2"	51-1/2"
OVD30__	24"	28-1/2"	40-1/2"	51-1/2"
OVD33__	27"	31-1/2"	40-1/2"	51-1/2"



# UNIVERSAL ACCESS TALL CABINERY

Toe Kick Height: 5-1/2".



## UNIVERSAL ACCESS PANTRY CABINET WITH SINGLE DOORS

- Bottom door has three hinges. Upper door has two hinges, except 96" high cabinets have three hinges on top door.
- Specify L or R door hinging
- Comes with three full depth adjustable shelves in lower section and one full depth adjustable shelf in upper section
- **93" and 96" tall cabinets must also order Toe Box Platform (HCTBOX\_\_\_).** This design will aid when installing in low ceiling heights. Additional material may be needed to cover the seam between the toekick platform and the end panel.
- Fixed center bottom behind the center rail

### 12" DEEP CABINETS

HCP1284X12 L or R  
HCP1584X12 L or R  
HCP1884X12 L or R  
HCP2184X12 L or R

HCP1290X12 L or R  
HCP1590X12 L or R  
HCP1890X12 L or R  
HCP2190X12 L or R

HCP1293X12 L or R  
HCP1593X12 L or R  
HCP1893X12 L or R  
HCP2193X12 L or R

HCP1296X12 L or R  
HCP1596X12 L or R  
HCP1896X12 L or R  
HCP2196X12 L or R

### 18" DEEP CABINETS

HCP1284X18 L or R  
HCP1584X18 L or R  
HCP1884X18 L or R  
HCP2184X18 L or R

HCP1290X18 L or R  
HCP1590X18 L or R  
HCP1890X18 L or R  
HCP2190X18 L or R

HCP1293X18 L or R  
HCP1593X18 L or R  
HCP1893X18 L or R  
HCP2193X18 L or R

HCP1296X18 L or R  
HCP1596X18 L or R  
HCP1896X18 L or R  
HCP2196X18 L or R

### 21" DEEP CABINETS

HCP1284X21 L or R  
HCP1584X21 L or R  
HCP1884X21 L or R  
HCP2184X21 L or R

HCP1290X21 L or R  
HCP1590X21 L or R  
HCP1890X21 L or R  
HCP2190X21 L or R

HCP1293X21 L or R  
HCP1593X21 L or R  
HCP1893X21 L or R  
HCP2193X21 L or R

HCP1296X21 L or R  
HCP1596X21 L or R  
HCP1896X21 L or R  
HCP2196X21 L or R

### 24" DEEP CABINETS

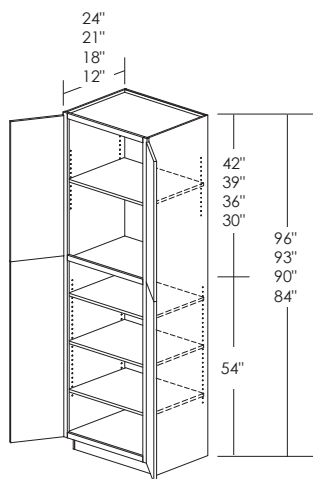
HCP1284X24 L or R  
HCP1584X24 L or R  
HCP1884X24 L or R  
HCP2184X24 L or R

HCP1290X24 L or R  
HCP1590X24 L or R  
HCP1890X24 L or R  
HCP2190X24 L or R

HCP1293X24 L or R  
HCP1593X24 L or R  
HCP1893X24 L or R  
HCP2193X24 L or R

HCP1296X24 L or R  
HCP1596X24 L or R  
HCP1896X24 L or R  
HCP2196X24 L or R

TALLS



## UNIVERSAL ACCESS PANTRY CABINET WITH BUTT DOORS

- Bottom door has three hinges. Upper door has two hinges, except 96" high cabinets have three hinges on top door.
- Comes with butt doors on top and bottom sections
- Comes with three full depth adjustable shelves in lower section and one full depth adjustable shelf in upper section
- **93" and 96" tall cabinets must also order Toe Box Platform (HCTBOX\_\_\_).** This design will aid when installing in low ceiling heights. Additional material may be needed to cover the seam between the toekick platform and the end panel.
- Fixed center bottom behind the center rail

### 12" DEEP CABINETS

HCP2484BDX12  
HCP2784BDX12

HCP2490BDX12  
HCP2790BDX12

HCP2493BDX12  
HCP2793BDX12

HCP2496BDX12  
HCP2796BDX12

### 18" DEEP CABINETS

HCP2484BDX18  
HCP2784BDX18

HCP2490BDX18  
HCP2790BDX18

HCP2493BDX18  
HCP2793BDX18

HCP2496BDX18  
HCP2796BDX18

### 21" DEEP CABINETS

HCP2484BDX21  
HCP2784BDX21

HCP2490BDX21  
HCP2790BDX21

HCP2493BDX21  
HCP2793BDX21

HCP2496BDX21  
HCP2796BDX21

### 24" DEEP CABINETS

HCP2484BDX24  
HCP2784BDX24

HCP2490BDX24  
HCP2790BDX24

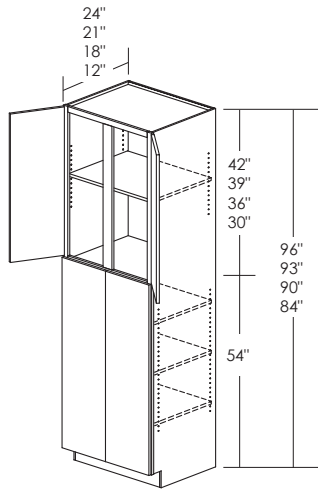
HCP2493BDX24  
HCP2793BDX24

HCP2496BDX24  
HCP2796BDX24

UNIVERSAL ACCESS TALL CABINETRY

Toe Kick Height: 5-1/2".

TALLS



UNIVERSAL ACCESS PANTRY CABINET WITH BUTT DOORS

- Bottom door has three hinges. Upper door has two hinges, except 96" high cabinets have three hinges on top door.
- Comes with butt doors on top and bottom sections
- Top section will have vertical mullion. Bottom section has no mullion.
- Comes with three full depth adjustable shelves in lower section and one full depth adjustable shelf in upper section
- **93" and 96" tall cabinets must also order Toe Box Platform (HCTBOX\_\_\_).** This design will aid when installing in low ceiling heights. Additional material may be needed to cover the seam between the toekick platform and the end panel.
- Fixed center bottom behind the center rail

12" DEEP CABINETS

HCP3084BDX12  
HCP3384BDX12  
HCP3684BDX12

HCP3090BDX12  
HCP3390BDX12  
HCP3690BDX12

HCP3093BDX12  
HCP3393BDX12  
HCP3693BDX12

HCP3096BDX12  
HCP3396BDX12  
HCP3696BDX12

18" DEEP CABINETS

HCP3084BDX18  
HCP3384BDX18  
HCP3684BDX18

HCP3090BDX18  
HCP3390BDX18  
HCP3690BDX18

HCP3093BDX18  
HCP3393BDX18  
HCP3693BDX18

HCP3096BDX18  
HCP3396BDX18  
HCP3696BDX18

21" DEEP CABINETS

HCP3084BDX21  
HCP3384BDX21  
HCP3684BDX21

HCP3090BDX21  
HCP3390BDX21  
HCP3690BDX21

HCP3093BDX21  
HCP3393BDX21  
HCP3693BDX21

HCP3096BDX21  
HCP3396BDX21  
HCP3696BDX21

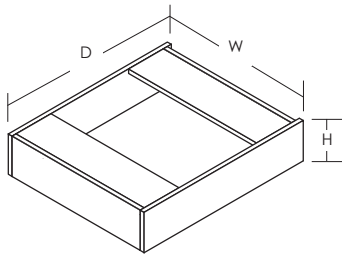
24" DEEP CABINETS

HCP3084BDX24  
HCP3384BDX24  
HCP3684BDX24

HCP3090BDX24  
HCP3390BDX24  
HCP3690BDX24

HCP3093BDX24  
HCP3393BDX24  
HCP3693BDX24

HCP3096BDX24  
HCP3396BDX24  
HCP3696BDX24

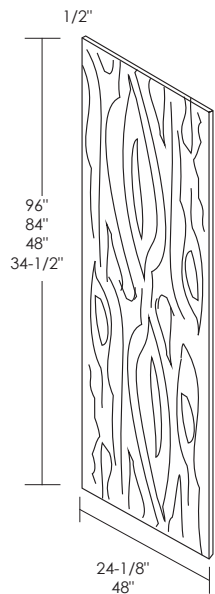


UNIVERSAL ACCESS TOE BOX PLATFORM

- For use with 93"H and 96"H Universal Access Tall Cabinets (5-1/2"H)
- When installed the cabinet will overhang the platform 1/16" on each side

	W Width	D Depth	H Height		W Width	D Depth	H Height		W Width	D Depth	H Height
HCTBOX1212	11-1/2"	8-1/2"	5-1/2"	HCTBOX2112	20-1/2"	8-1/2"	5-1/2"	HCTBOX3012	29-1/2"	8-1/2"	5-1/2"
HCTBOX1218	11-1/2"	14-1/2"	5-1/2"	HCTBOX2118	20-1/2"	14-1/2"	5-1/2"	HCTBOX3018	29-1/2"	14-1/2"	5-1/2"
HCTBOX1221	11-1/2"	17-1/2"	5-1/2"	HCTBOX2121	20-1/2"	17-1/2"	5-1/2"	HCTBOX3021	29-1/2"	17-1/2"	5-1/2"
HCTBOX1224	11-1/2"	20-1/2"	5-1/2"	HCTBOX2124	20-1/2"	20-1/2"	5-1/2"	HCTBOX3024	29-1/2"	20-1/2"	5-1/2"
HCTBOX1512	14-1/2"	8-1/2"	5-1/2"	HCTBOX2412	23-1/2"	8-1/2"	5-1/2"	HCTBOX3312	32-1/2"	8-1/2"	5-1/2"
HCTBOX1518	14-1/2"	14-1/2"	5-1/2"	HCTBOX2418	23-1/2"	14-1/2"	5-1/2"	HCTBOX3318	32-1/2"	14-1/2"	5-1/2"
HCTBOX1521	14-1/2"	17-1/2"	5-1/2"	HCTBOX2421	23-1/2"	17-1/2"	5-1/2"	HCTBOX3321	32-1/2"	17-1/2"	5-1/2"
HCTBOX1524	14-1/2"	20-1/2"	5-1/2"	HCTBOX2424	23-1/2"	20-1/2"	5-1/2"	HCTBOX3324	2-1/2"	20-1/2"	5-1/2"
HCTBOX1812	17-1/2"	8-1/2"	5-1/2"	HCTBOX2712	26-1/2"	8-1/2"	5-1/2"	HCTBOX3612	35-1/2"	8-1/2"	5-1/2"
HCTBOX1818	17-1/2"	14-1/2"	5-1/2"	HCTBOX2718	26-1/2"	14-1/2"	5-1/2"	HCTBOX3618	35-1/2"	14-1/2"	5-1/2"
HCTBOX1821	17-1/2"	17-1/2"	5-1/2"	HCTBOX2721	26-1/2"	17-1/2"	5-1/2"	HCTBOX3621	35-1/2"	17-1/2"	5-1/2"
HCTBOX1824	17-1/2"	20-1/2"	5-1/2"	HCTBOX2724	26-1/2"	20-1/2"	5-1/2"	HCTBOX3624	35-1/2"	20-1/2"	5-1/2"

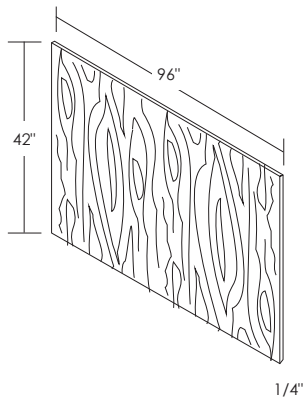
## FRAMED ACCESSORIES



### PANELS

- Grain pattern runs vertically and each panel is banded on front and back edges
- Laminate composite panel or plywood panel

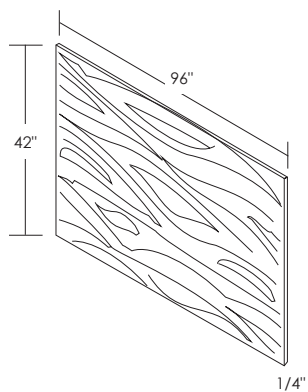
	1/2" Paper on composite panel	1/2" Paper on plywood panel	Actual Size
Base	EP2434P	EP2434P-PLY	24-1/8"W x 34-1/2"H
84" Tall Base	EP2484P	EP2484P-PLY	24-1/8"W x 84"H
96" Tall Base	EP2496P	EP2496P-PLY	24-1/8"W x 96"H
48" Wide Base Height	EP4834P	EP4834P-PLY	48"W x 34-1/2"H
1/2 Sheet	EP4848P	EP4848P-PLY	48"W x 48"H
Full Sheet	EP4896P	EP4896P-PLY	48"W x 96"H



### SHORT GRAIN PLYWOOD PANEL

- Available in oak or maple veneer (short grained)
- 1/4" thick

PLYS42x96

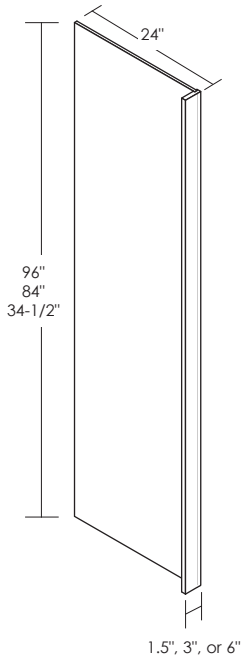


### LONG GRAIN PLYWOOD PANEL

- Available in oak or maple veneer (long grained)
- 1/4" thick

PLYL42x96

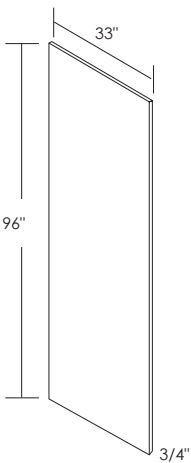
**FRAMED ACCESSORIES**



**RETURN PANELS**

- Filler finished on front face and on two long edges
- End panel has matching finish on both faces
- Vertical grain only
- For plywood end panel, order with PLY designation

	1/2" Return w/ 3/4" Laminate Front	1/2" Return w/ 3/4" Veneer Plywood Front	1/2" Return w/ 3/4" Solid Front	Actual Size
Base 3" Front DW End Panel	BRP3L BRP3L-PLY	BRP3V BRP3V-PLY	BRP3S BRP3S-PLY	3"W x 34-1/2"H x 24-1/8"D
Base 6" Front DW End Panel	BRP6L BRP6L-PLY	BRP6V BRP6V-PLY	BRP6S BRP6S-PLY	6"W x 34-1/2"H x 24-1/8"D
84" Tall Base Depth 3" Front	TRP384L TRP384L-PLY	TRP384V TRP384V-PLY	TRP384S TRP384S-PLY	3"W x 84"H x 24-1/8"D
96" Tall Base Depth 3" Front	TRP396L TRP396L-PLY	TRP396V TRP396V-PLY	TRP396S TRP396S-PLY	3"W x 96"H x 24-1/2"D
Base 1.5" Front DW End Panel			BRP1.5S BRP1.5S-PLY	1.5"W x 34-1/2"H x 24-1/8"D
84" Tall Base Depth 1.5" Front			TRP1.584S TRP1.584S-PLY	1.5"W x 84"H x 24-1/8"D
96" Tall Base Depth 1.5" Front			TRP1.596S TRP1.596S-PLY	1.5"W x 96"H x 24-1/8"D



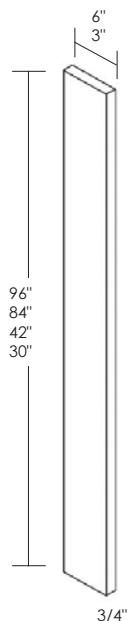
**UNIVERSAL REFRIGERATOR END PANEL**

- Available in oak or maple veneer, or laminate exterior
- Trimmable height and depth
- Finished on both sides and edge banded on both long edges
- L – Laminate on 3/4" thick composite panel
- V – Stained veneer on 3/4" thick plywood panel

On composite panel:  
UREPL

On plywood panel:  
UREPV-PLY

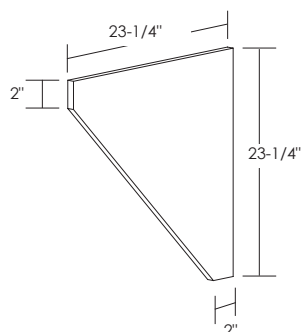
## FRAMED ACCESSORIES



### FILLERS

- Veneer or Solid fillers will be stained or painted to match

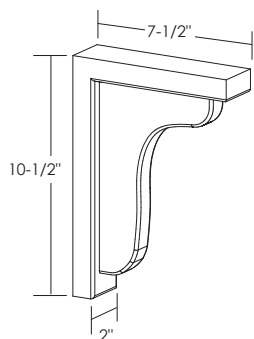
	3/4" Laminate	3/4" Veneer Plywood	3/4" Solid	Actual Size
30" High	F330L	F330V	F330S	3"W x 30"H
	F630L	F630V	F630S	6"W x 30"H
42" High	F342L	F342V	F342S	3"W x 42"H
	F642L	F642V	F642S	6"W x 42"H
84" High	F384L	F384V	F384S	3"W x 84"H
	F684L	F684V	F684S	6"W x 84"H
96" High	F396L	F396V	F396S	3"W x 96"H
	F696L	F696V	F696S	6"W x 96"H



### ANGLE WALL SUPPORT

- 3/4" thick laminate composite
- Edge banded on front edge

AWS

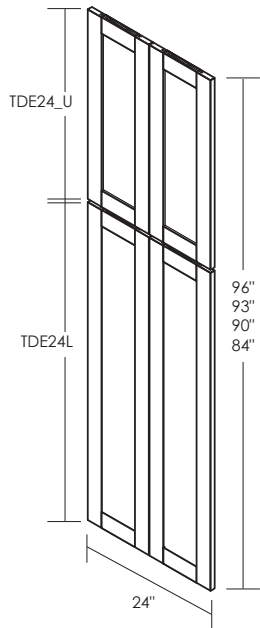


### COUNTER SUPPORT CORBEL

- Solid wood painted or stained to match cabinet exterior

CS

FRAMED ACCESSORIES



TALL DECORATIVE END PANELS

- TDE24\_U and TDE24L must be ordered together
- TDE's are decorative doors for the sides of 24" D pantry cabinets
- Shipped loose for field installation
- TDE24\_U has two cabinet doors used for decorative ends on the upper section of tall cabinets
- TDE24L has two cabinet doors used for decorative ends on the lower section of tall cabinets

UPPER PANELS

- TDE2496U
- TDE2493U
- TDE2490U
- TDE2484U

LOWER PANEL

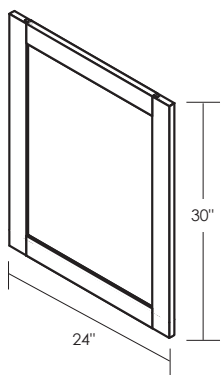
- TDE24L

UPPER DOORS	Standard Overlay		Full Overlay		Extended Overlay	
	Width	Length	Width	Length	Width	Length
TDE2496U	11	40	11.75	41	11.75	41.25
TDE2493U	11	37	11.75	38	11.75	38.25
TDE2490U	11	34	11.75	35	11.75	35.25
TDE2484U	11	28	11.75	29	11.75	29.25

LOWER DOOR	Standard Overlay		Full Overlay		Extended Overlay	
	Width	Length	Width	Length	Width	Length
TDE24L	11	48.5	11.75	49.5	11.75	49.75

## FRAMED ACCESSORIES

### BASE DECORATIVE END PANEL

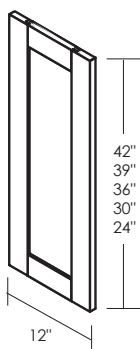


- BDE is a decorative door for the side of 24" deep base cabinets
- Shipped loose for field installation

BDE

	Standard Overlay		Full Overlay		Extended Overlay	
	Width	Length	Width	Length	Width	Length
BDE	22	28	23.5	29	23.5	29.25

### WALL DECORATIVE END PANELS

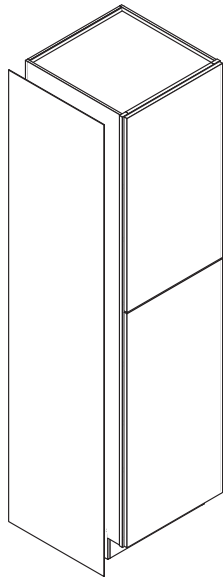


- WDE are decorative doors for the sides of 12" deep wall cabinets
- Shipped loose for field installation

WDE42  
WDE39  
WDE36  
WDE30  
WDE24

	Standard Overlay		Full Overlay		Extended Overlay	
	Width	Length	Width	Length	Width	Length
WDE42	10	40	11.5	41	11.5	41.25
WDE39	10	37	11.5	38	11.5	38.25
WDE36	10	34	11.5	35	11.5	35.25
WDE30	10	28	11.5	29	11.5	29.25
WDE24	10	22	11.5	23	11.5	23.25

**FRAMED ACCESSORIES**



This application depicts a skin applied to a pantry cabinet

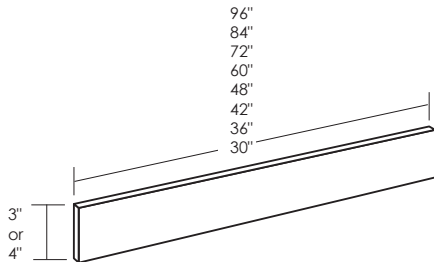
**END SKIN**

- Paper skin has color matching laminate on one side
- Veneer skin is stained or painted to match finish on one side

	1/8" Paper	3.6mm Veneer	Actual Size
Base	SK2434P	SK2434V	23-3/8"W x 34-1/2"H
30"H x 12"D Wall Cabinet	SK1230P	SK1230V	11-1/4"W x 30"H
42"H x 12"D Wall Cabinet	SK1242P	SK1242V	11-1/4"W x 42"H
30"H x 15"D Wall Cabinet	SK1530P	SK1530V	14-1/4"W x 30"H
42"H x 15"D Wall Cabinet	SK1542P	SK1542V	14-1/4"W x 42"H
84" Tall Pantry	SK2484P	SK2484V	23 3/8"W x 84"H
96" Tall Pantry	SK2496P	SK2496V	23 3/8"W x 96"H
48" Wide Base Skin	SK4834P	SK4834V	48"W x 34-1/2"H
1/2 Sheet	SK4848P		48"W x 48"H
Full Sheet	SK4896P		48"W x 96"H

**SKIRTS**

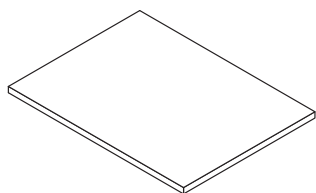
- Finished on one face and one long edge
- Solid skirts are recommended for plywood projects



	3/4" Laminate	3/4" Veneer Plywood	3/4" Solid	Actual Size
3" Wide Skirts	SKT30L	SKT30V	SKT30S	3"W x 30"L
	SKT36L	SKT36V	SKT36S	3"W x 36"L
	SKT42L	SKT42V	SKT42S	3"W x 42"L
	SKT48L	SKT48V	SKT48S	3"W x 48"L
	SKT60L	SKT60V	SKT60S	3"W x 60"L
	SKT72L	SKT72V	SKT72S	3"W x 72"L
	SKT84L	SKT84V	SKT84S	3"W x 84"L
	SKT96L	SKT96V	SKT96S	3"W x 96"L
	4" Wide Skirts	SKT30x4L	SKT30x4V	SKT30x4S
SKT36x4L		SKT36x4V	SKT36x4S	4"W x 36"L
SKT42x4L		SKT42x4V	SKT42x4S	4"W x 42"L
SKT48x4L		SKT48x4V	SKT48x4S	4"W x 48"L
SKT60x4L		SKT60x4V	SKT60x4S	4"W x 60"L
SKT72x4L		SKT72x4V	SKT72x4S	4"W x 72"L
SKT84x4L		SKT84x4V	SKT84x4S	4"W x 84"L
SKT96x4L		SKT96x4V	SKT96x4S	4"W x 96"L



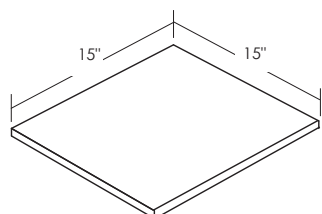
## FRAMED ACCESSORIES



### MICROWAVE SHELVES

- Grain pattern runs vertically
- Veneer plywood finished on both sides and edge banded on three edges

Shelf Name	Fits Microwave Cabinet	Cabinet Width	Shelf Width
MWS2718	MWC27_ _	27"	24"
MWS3018	MWC30_ _	30"	27"
MWS3318	MWC33_ _	33"	30"

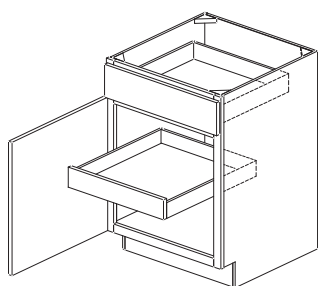


### WALL CABINET CORNER PLUG

- Available in plywood or composite panel
- Finish is available in natural or white

On composite panel:  
WCP15

On plywood panel:  
WCP15-PLY



Shelf kit shown as installed above

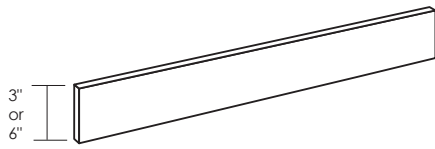
### ROLL OUT SHELF KIT

- Cabinet is ordered separately. Kit is installed in the field

Particle Board	Plywood	
ROS12	ROS12-PLY	Fits 12" and 24" cabinets
ROS15	ROS15-PLY	Fits 15" and 30" cabinets
ROS18	ROS18-PLY	Fits 18" and 36" cabinets
ROS21	ROS21-PLY	Fits 21" and 42" cabinets
ROS24	ROS24-PLY	Fits 24" double door and 48" cabinets
ROS27	ROS27-PLY	Fits 27" butt door cabinets
ROS30	ROS30-PLY	Fits 30" butt door cabinets
ROS33	ROS33-PLY	Fits 33" butt door cabinets
ROS36	ROS36-PLY	Fits 36" butt door cabinets

## FRAMED ACCESSORIES

---

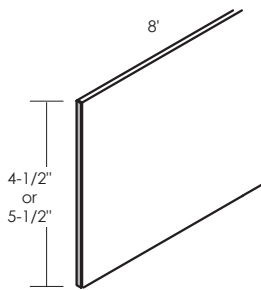


### VALANCE

- Solid wood
- Finished on one face and one long edge
- Field trimmable
- 3/4" thick
- Horizontal grain only

STVAL30X3  
STVAL36X3  
STVAL48X3

STVAL30X6  
STVAL36X6  
STVAL48X6

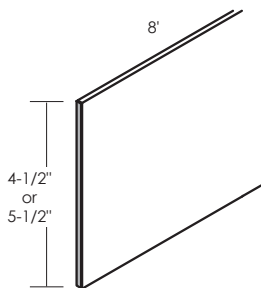


### TOE KICK OVERLAY

- Color matching laminate on one side
- 8 ft. length
- 1/8" thick

TK (4 1/2" x 96")

HCTK (5 1/2" x 96")



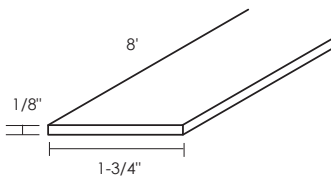
### VENEER TOE KICK OVERLAY

- Stained or painted to match finish on one side
- 8 ft. length
- 3.6mm thick

TKV (4 1/2" x 96")

HCTKV (5 1/2" x 96")

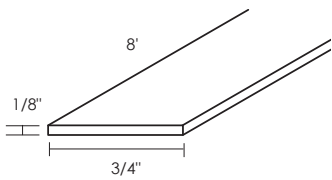
**FRAMED ACCESSORIES**



**SCRIBE MOLDING**

- Solid wood painted or stained to match cabinet exterior
- Sold in 8 ft. lengths

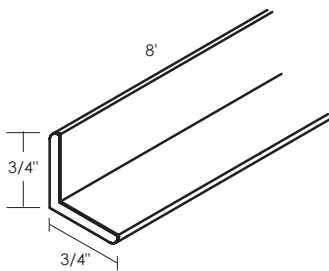
SCM175



**FLAT MOLDING**

- Solid wood painted or stained to match cabinet exterior
- Sold in 8 ft. lengths

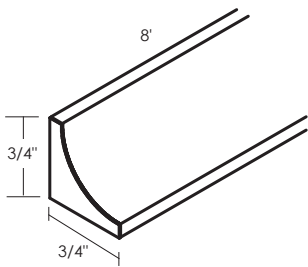
FLATM75



**OUTSIDE MOLDING**

- Solid wood painted or stained to match cabinet exterior
- Sold in 8 ft. lengths

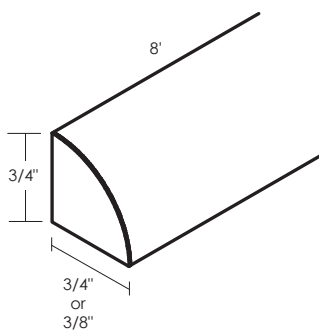
OCM



**INSIDE MOLDING**

- Solid wood painted or stained to match cabinet exterior
- Sold in 8 ft. lengths

ICM

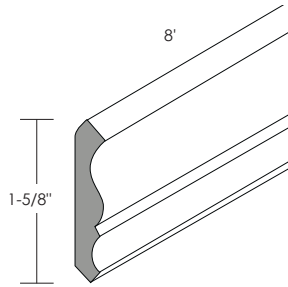


**SHOE MOLDING**

- Solid wood painted or stained to match cabinet exterior
- Sold in 8 ft. lengths

SHOEML (3/4" x 3/4" x 8') – Large  
 SHOEMS (3/4" x 3/8" x 8') – Small

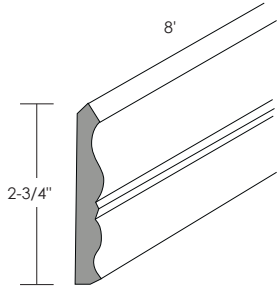
## FRAMED ACCESSORIES



### SMALL CROWN MOLDING

- Solid wood painted or stained to match cabinet exterior
- Sold in 8 ft. lengths

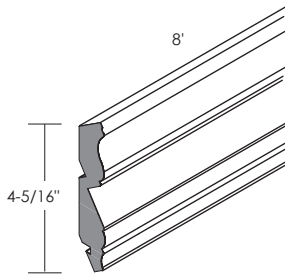
CROWNMS



### LARGE CROWN MOLDING

- Solid wood painted or stained to match cabinet exterior
- Sold in 8 ft. lengths

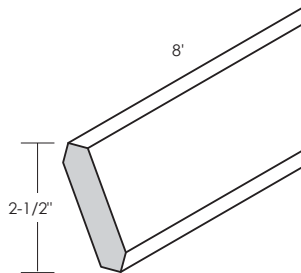
CROWNML



### ROYAL CROWN MOLDING

- Solid wood painted or stained to match cabinet exterior
- Sold in 8 ft. lengths

RCM



### SHAKER CROWN MOLDING

- Solid wood painted or stained to match cabinet exterior
- Sold in 8 ft. lengths

SHAKERM

## FRAMED ACCESSORIES

### PUTTY STICKS



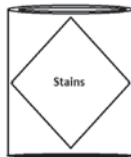
MAPLE	PAINT	OAK
PS-ASH MAPLE PS-BORDEAUX MAPLE PS-CARAMEL MAPLE PS-CHESTNUT MAPLE PS-ESPRESSO MAPLE PS-JAVA MAPLE PS-NATURAL MAPLE PS-NUTMEG MAPLE PS-OYSTER MAPLE PS-PECAN MAPLE PS-SPICE MAPLE	PS-ATLANTIC GREY PS-BALTIC BEIGE PS-MID GREY PS-TERRA GREY PS-WHITE	PS-BORDEAUX OAK PS-ESPRESSO OAK PS-JAVA OAK PS-NATURAL OAK PS-NUTMEG OAK PS-SPICE OAK
RTF	TRU TOUCH	LAMINATE
PS-AMBASSADOR OAK PS-BALTIC BEIGE PS-CHOCOLATE PECAN PS-DOVE GREY PS-DRIFTWOOD PS-EURO WENGE PS-JAVA PS-LINEA BLACK PS-LINEA WHITE PS-OLIVEWOOD PS-SMOOTH WHITE PS-SNOW WHITE GLOSS PS-STEEL GREY PS-TERRA GREY HIGH GLOSS PS-VINTAGE GREY PS-WESTERN WHEAT PS-WOOD GRAIN WHITE	PS-CHESTNUT PS-ESPRESSO PS-GREY CASHMERE PS-OBSIDIAN ASH PS-PECAN PS-SPICE PS-WHITE TUSK	PS-GREY PINE PS-LIGHT TEAK PS-MIDNIGHT TEAK PS-TEXAS CYPRESS PS-WEATHERED OAK PS-WHITE

## FRAMED ACCESSORIES



## STAIN PENS

MAPLE	PAINT	OAK
SP-ASH MAPLE SP-BORDEAUX MAPLE SP-CARAMEL MAPLE SP-CHESTNUT MAPLE SP-ESPRESSO MAPLE SP-JAVA MAPLE SP-NATURAL MAPLE SP-NUTMEG MAPLE SP-OYSTER MAPLE SP-PECAN MAPLE SP-SPICE MAPLE	SP-ATLANTIC GREY SP-BALTIC BEIGE SP-MID GREY SP-TERRA GREY SP-WHITE	SP-BORDEAUX OAK SP-ESPRESSO OAK SP-JAVA OAK SP-NATURAL OAK SP-NUTMEG OAK SP-SPICE OAK
RTF	TRU TOUCH	LAMINATE
SP-AMBASSADOR OAK SP-BALTIC BEIGE SP-CHOCOLATE PECAN SP-DOVE GREY SP-DRIFTWOOD SP-EURO WENGE SP-JAVA SP-LINEA BLACK SP-LINEA WHITE SP-OLIVEWOOD SP-SMOOTH WHITE SP-SNOW WHITE GLOSS SP-STEEL GREY SP-TERRA GREY HIGH GLOSS SP-VINTAGE GREY SP-WESTERN WHEAT SP-WOOD GRAIN WHITE	SP-CHESTNUT SP-ESPRESSO SP-GREY CASHMERE SP-OBSIDIAN ASH SP-PECAN SP-SPICE SP-WHITE TUSK	SP-GREY PINE SP-LIGHT TEAK SP-MIDNIGHT TEAK SP-TEXAS CYPRESS SP-WEATHERED OAK SP-WHITE



## STAIN QUARTS

MAPLE	OAK
SQ-ASH MAPLE SQ-BORDEAUX MAPLE SQ-CARAMEL MAPLE SQ-CHESTNUT MAPLE SQ-ESPRESSO MAPLE SQ-JAVA MAPLE SQ-NATURAL MAPLE SQ-NUTMEG MAPLE SQ-OYSTER MAPLE SQ-PECAN MAPLE SQ-SPICE MAPLE	SQ-BORDEAUX OAK SQ-ESPRESSO OAK SQ-JAVA OAK SQ-NATURAL OAK SQ-NUTMEG OAK SQ-SPICE OAK