



We are building solutions.

EURO CABINETS SPECIFICATIONS



EURO CABINETRY SPECIFICATIONS TABLE OF CONTENTS

EURO CABINETS CONSTRUCTION AND STYLESii-viii	EURO TALLS	G1-G8
Door Style Collections	ii	STANDARD	
Euro Construction and Options	iii	Pantry Cabinets	G1-G2
Euro Door Style Specifications	iv-viii	Utility Cabinets	G3-G4
EURO WALLS	E1-E10	Bookshelves	G5
Wall Cabinets	E1-E2	Linen Cabinets	G6
Refrigerator Cabinets	E3	Oven Cabinets	G7-G8
Accessory Wall Cabinets	E4-E5	EURO ACCESSORIES	H1-H12
Corner / Blind Wall Cabinets	E6-E7	Panels, Fillers, Overlays, and Baffles.	H1-H5
Recessed Bottom Wall Cabinets	E8-E9	Decorative End Panels	H6
Bathroom Wall Cabinets	E10	Shelving	H7-H8
EURO BASES	F1-F36	Supports, Skirts, and Valances	H9
STANDARD		Toe Kick Overlays	H10
Base Cabinets	F1-F2	Moldings	H10-H11
Accessory Base Cabinets	F3-F4	PDA Organizer	H11
Blind / Corner Base Cabinets	F5-F6	Touch-Up Supplies	H12
Base Cabinets with Roll Out Shelves	F7	DECORATIVE HARDWARE	I1-I4
Appliance Base Cabinets	F8	CABINETRY CARE GUIDE, AND WARRANTY	J1-J2
Sink Base Cabinets	F9-F10	INDEX	K1-K4
Accessible/UFAS Base Cabinets	F11-F12		
Drawer Skirts	F13		
UNIVERSAL ACCESS			
Base Cabinets	F14-F15		
Accessory Base Cabinets	F16-F17		
Blind / Corner Base Cabinets	F18-F19		
Appliance Base Cabinets	F20		
Sink Base Cabinets	F21-F22		
Accessible/UFAS Base Cabinets	F23-F24		
VANITY			
Sink Base Cabinets	F25-26		
Door and Drawer Base Cabinets	F27		
Drawer Base Cabinets	F28		
Combo Sink Base Cabinets	F29		
Hanging Vanity Sink Base Cabinets	F30-F31		
UFAS Vanity Sink Base Cabinets	F32		
DESK			
Door and Drawer Base Cabinets	F33		
Full Height Base Cabinets	F34		
Accessory Desk Base Cabinets	F35		
FURNITURE			
Furniture Base Cabinets	F36		

LEEDO EURO DOOR STYLE COLLECTIONS

Leedo Euro cabinetry is offered in four different collections. Choose from our Paint, Thermofoil, TruTouch or Laminate door styles to create the perfect look for any project.

Paint — Beautiful paint requires the perfect canvas. Our enamel painted door styles start with a dense fiberboard that provides the perfect canvas for painted cabinetry. The end product is visually superior to painted wood products that can have visible grain patterns and cracks at door joints. Our painted doors have a consistent and smooth finish and a clear top coat to provide an extra layer of protection. Timeless and suitable for any décor, painted cabinetry is always in style.

Thermofoil — Thermofoil door styles are created through an intense heat and pressure bonding process where rigid vinyl is applied to a sculpted fiberboard to provide a uniform and durable finish. Offered in a wide variety of exterior colors, we also offer your choice of white or natural maple interior. The simple clean lines of our thermofoil door styles create a clean look that works in almost any design or décor.

TruTouch — TruTouch is a textured, high-definition decorative finish created through an embossed thermofused lamination process. Through this state-of-the-art process, the decorative overlay is applied to an industrial grade engineered wood substrate to create a detailed wood veneer appearance. TruTouch finish has superior resistance to scratches, scuffs, and stains yet has the visual beauty of fine wood furniture.

Laminate — Laminate door styles have an appearance of wood and are available in smooth and textured finishes. The slab styling of our laminate doors provides a very durable finish that is easy to clean and perfect for any modern and contemporary design.

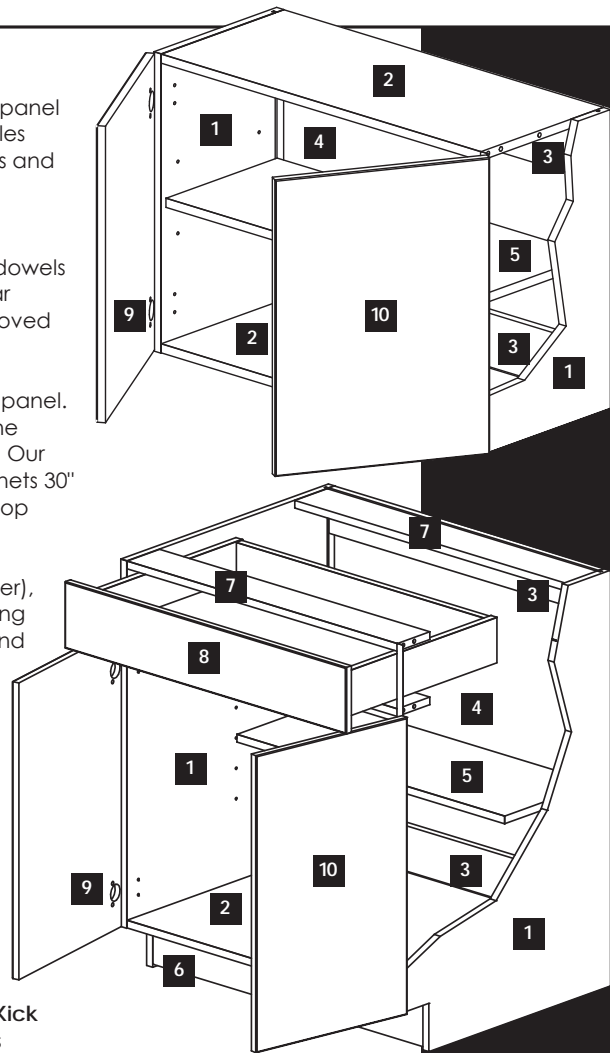
EURO CONSTRUCTION AND OPTIONS

- 1 END PANELS** — 5/8" thick (16mm) wood-based composite panel with matching laminate exterior surfaces. Construction holes of 8mm to receive wood dowels of horizontal components and grooved at the rear end to receive the back panel.
- 2 TOP/BOTTOM PANELS** — 5/8" thick (16mm) wood-based composite panel attached to the end panels with wood dowels and glue. Base bottom also rests over the toe kick and rear stretcher for better support. The tops and bottoms are grooved at the rear end to receive back panel.
- 3 HANG RAILS** — 5/8" thick (16mm) wood-based composite panel. Hang rails are set underneath the top panel and above the bottom panel, always concealed behind the back panel. Our hang rails utilize wood dowel and glue construction. Cabinets 30" or wider feature a pocket screw at the center across the top and bottom for better strength.
- 4 BACK PANEL** — 3mm hardboard MDF (Medium Density Fiber), laminated on one side in maple grained, white, or matching laminate exterior surface. Fully captured and stapled to end panels, bottom and top or upper stretcher for bases.
- 5 SHELVES** — **Standard:** 5/8" thick (16mm) wood-based composite panel with maple or white laminate on both surfaces and matching edgeband on the facing edge. Wall cabinet features full depth adjustable shelves with symmetrical shelves drilling patterns. The Base cabinet features a half depth shelf with a frontal lock-in-place shelf clip. **Upgrade Option:** 3/4" shelf thickness available. **Full Depth Shelf (FDS) Upgrade Option:** available on select base cabinets.
- 6 TOE KICK** — **Standard:** 5/8" thick (16mm) unfinished wood-based composite panel. Toe kick is 4" high. **No Toe Kick (NTK) Upgrade Option:** available on select vanity cabinets
- 7 BASE STRETCHERS** — 5/8" thick (16mm) unfinished wood-based composite panel strips 3-3/4" width, running from left to right on the front and rear end at the top of the base cabinet. Frontal stretcher features matching exterior edgebanding on the facing side.
- 8 DRAWER BOX** — **Standard:** Metal drawer box with 5/8" thick particleboard drawer bottom and back with white epoxy coated partial roller wheel extension drawer guide. **Upgrade Option:** Soft-close attachment for metal drawer box.

Upgrade Particleboard Drawer Box Option: Five piece 5/8" thick particle-board drawer box with 1/8" captured drawer bottom faced with white resin coated finish foil in interior color. Partial extension 100lb drawer guide is standard with this option. **Upgrade Option:** Full extension, under mount drawer guide with integrated soft-close for particleboard drawer box.

- 9 HINGE** — **Standard:** 6-way adjustable concealed clip on hinges with 107 degree opening. **Upgrade Option:** Soft-close feature.
- 10 DOORS** — Please refer to individual door style specifications

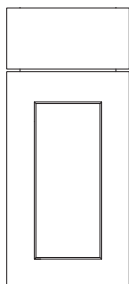
ALTERED DEPTH (AD) OPTION — Select wall cabinets can be increased to a 15" or 18" depth. Select base cabinets can be decreased to a 15", 18" or 21" depth. AD availability is noted by cabinet.



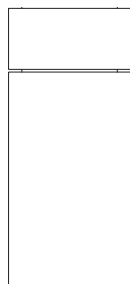
EURO DOOR STYLES BY COLLECTION

PAINT

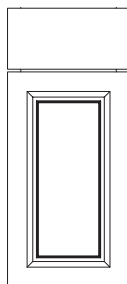
FULL OVERLAY



Coventry



Preston



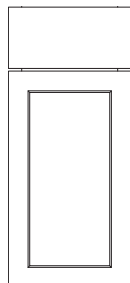
Rothbury

THERMOFOIL

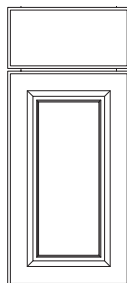
FULL OVERLAY



Como



Solaro



Vittoria

TRU TOUCH

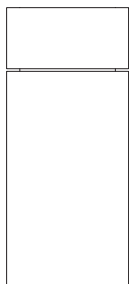
FULL OVERLAY



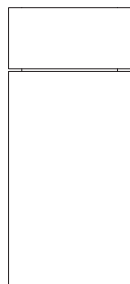
Lugano

LAMINATE

FULL OVERLAY

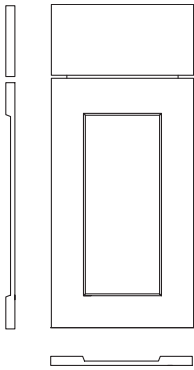


Lucerne
(textured)



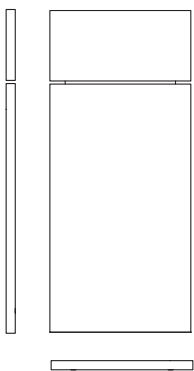
Ascona
(smooth)

EURO PAINTED DOORS



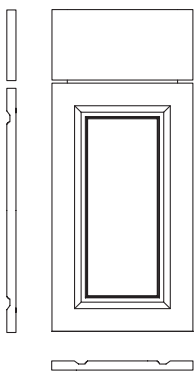
COVENTRY

- Shaker door style
- 3/4" thick fiberboard door and drawer front
- Durable and easy to clean
- Full overlay
- Color matching back
- Door and drawer front have clear top coat over painted finish
- Hardware is required



PRESTON

- Slab door style
- 3/4" thick fiberboard door and drawer front
- Durable and easy to clean
- Full overlay
- Color matching back
- Door and drawer front have clear top coat over painted finish
- Hardware is required



ROTHBURY

- Raised panel door style
- 3/4" thick fiberboard door and drawer front
- Durable and easy to clean
- Full overlay
- Color matching back
- Door and drawer front have clear top coat over painted finish
- Hardware is required

**PAINT DOOR
STYLES ARE
AVAILABLE IN
THE FOLLOWING
FINISHES:**

Atlantic Grey
Baltic Beige
Mid Grey
Terra Grey
White

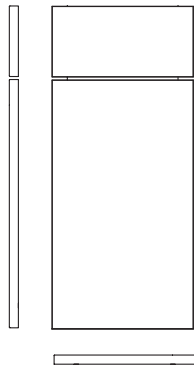
EURO THERMOFOIL DOORS

**THERMOFOIL
DOOR STYLES
ARE AVAILABLE
IN THE
FOLLOWING
FINISHES:**

Ambassador
Oak
Baltic Beige
Chocolate
Pecan
Dove Grey
Driftwood
Euro Wenge
Java
Linea Black
Linea White
Olivewood
Smooth White
Snow White
Gloss*
Steel Grey
Terra Grey
High Gloss*
Vintage Grey
Western Wheat
Wood Grain
White

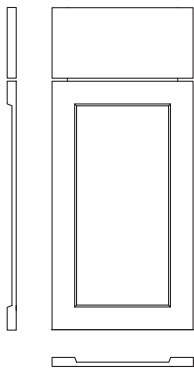
*Only the door
and drawer front
material is high
gloss.

Select finishes are
available in horizontal
patterns. Contact
your Leedo sales
representative for
more details.



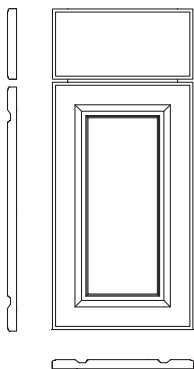
COMO

- 3D laminate slab door with decreased reveal between door and drawer front
- 5/8" thick melamine-backed doors and drawer fronts
- Durable and easy to clean
- Full overlay
- Hardware is required



SOLARO

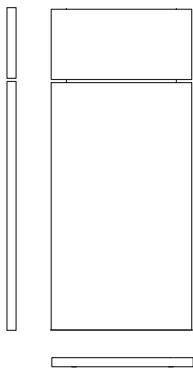
- 3D laminate flat panel, shaker door style
- 5/8" thick melamine-backed doors and drawer fronts
- Durable and easy to clean
- Full overlay
- Hardware is required



VITTORIA

- 3D laminate raised panel door style with routed edges
- 5/8" thick melamine-backed doors and drawer fronts
- Durable and easy to clean
- Full overlay
- Hardware is required

EURO TRU TOUCH DOOR



LUGANO

- Thermofused laminate slab door style with TruTouch finish*
- 5/8" thick door and drawer front
- 1mm thick edgebanding on four sides
- Vertical grain on door and drawer fronts
- Durable, scratch resistant melamine door resists damage and cleans easily
- Full overlay
- Hardware is required

*Leedo's TruTouch Thermofused Technology replicates both the beauty and feel of natural wood cabinets, producing a visually stunning, realistic high-end product with extraordinary durability.

**TRU TOUCH
DOOR STYLE IS
AVAILABLE IN
THE FOLLOWING
FINISHES:**

Chestnut
Espresso
Grey Cashmere
Obsidian Ash
Pecan
Spice
White Tusk

Select finishes are available in horizontal patterns. Contact your Leedo sales representative for more details.

EURO LAMINATE DOORS

LAMINATE
DOOR STYLES
ARE AVAILABLE
IN THE
FOLLOWING
FINISHES:

TEXTURED

Grey Pine
Light Teak
Midnight Teak
Texas Cypress
Weathered Oak

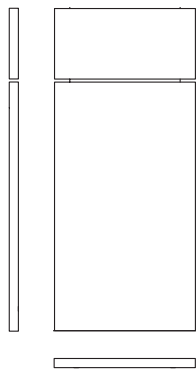
SMOOTH

White



ASCONA (smooth)

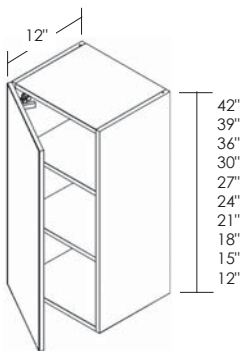
- Melamine slab door on particleboard
- 5/8" thick door and drawer front
- Edgebanding on four sides
- Durable and easy to clean
- Full overlay
- Door back matches door front
- Hardware is required



LUCERNE (textured)

- Melamine slab door on particleboard
- 5/8" thick door and drawer front
- Door back matches door front
- Edgebanding on four sides
- Durable and easy to clean
- Full overlay
- Hardware is required

Select finishes are available in horizontal patterns. Contact your Leedo sales representative for more details.



SINGLE DOOR WALL

- Two hinges per door, except 42" high cabinets have three hinges per door
- Specify L or R door hinging
- AD 15"

42" High (3 shelves)

W0942 L or R
W1242 L or R
W1542 L or R
W1842 L or R
W2142 L or R
W2442 L or R

24" High (1 shelf)

W0924 L or R
W1224 L or R
W1524 L or R
W1824 L or R
W2124 L or R
W2424 L or R

39" High (2 shelves)

W0939 L or R
W1239 L or R
W1539 L or R
W1839 L or R
W2139 L or R
W2439 L or R

21" High (1 shelf)

W0921 L or R
W1221 L or R
W1521 L or R
W1821 L or R
W2121 L or R
W2421 L or R

36" High (2 shelves)

W0936 L or R
W1236 L or R
W1536 L or R
W1836 L or R
W2136 L or R
W2436 L or R

18" High (No shelf)

W0918 L or R
W1218 L or R
W1518 L or R
W1818 L or R
W2118 L or R
W2418 L or R

30" High (2 shelves)

W0930 L or R
W1230 L or R
W1530 L or R
W1830 L or R
W2130 L or R
W2430 L or R

15" High (No Shelf)

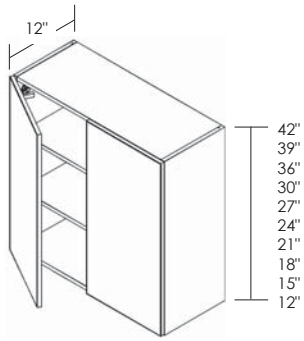
W0915 L or R
W1215 L or R
W1515 L or R
W1815 L or R
W2115 L or R
W2415 L or R

27" High (1 shelf)

W0927 L or R
W1227 L or R
W1527 L or R
W1827 L or R
W2127 L or R
W2427 L or R

12" High (No shelf)

W0912 L or R
W1212 L or R
W1512 L or R
W1812 L or R
W2112 L or R
W2412 L or R



DOUBLE DOOR WALL

- Two hinges per door, except 42" high cabinets have three hinges per door
- AD 15"

42" High (3 shelves)

W2742
W3042
W3342
W3642
W3942

24" High (1 shelf)

W2724
W3024
W3324
W3624
W3924

39" High (2 shelves)

W2739
W3039
W3339
W3639
W3939

21" High (1 shelf)

W2721
W3021
W3321
W3621
W3921

36" High (2 shelves)

W2736
W3036
W3336
W3636
W3936

18" High (No shelf)

W2718
W3018
W3318
W3618
W3918

30" High (2 shelves)

W2730
W3030
W3330
W3630
W3930

15" High (No shelf)

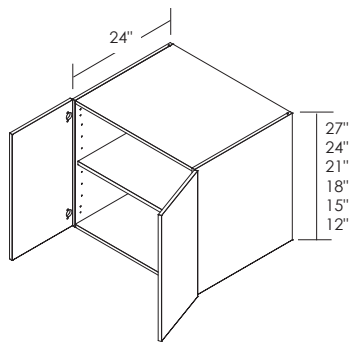
W2715
W3015
W3315
W3615
W3915

27" High (1 shelf)

W2727
W3027
W3327
W3627
W3927

12" High (No shelf)

W2712
W3012
W3312
W3612
W3912



24" DEEP DOUBLE DOOR REFRIGERATOR WALL

- Two hinges per door
- Must be installed between tall cabinetry and/or walls of equal or greater depth for proper support. These should never be hung on a wall by themselves.

27" High (1 shelf)

W2727X24
W3027X24
W3327X24
W3627X24
W3927X24

18" High (No shelf)

W2718X24
W3018X24
W3318X24
W3618X24
W3918X24

24" High (1 shelf)

W2724X24
W3024X24
W3324X24
W3624X24
W3924X24

15" High (No shelf)

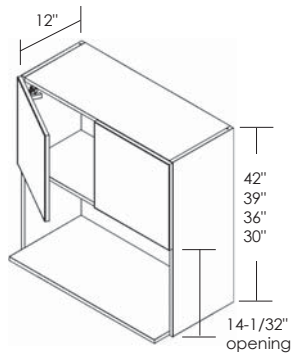
W2715X24
W3015X24
W3315X24
W3615X24
W3915X24

21" High (1 shelf)

W2721X24
W3021X24
W3321X24
W3621X24
W3921X24

12" High (No shelf)

W2712X24
W3012X24
W3312X24
W3612X24
W3912X24



MICROWAVE WALL CABINETS WITH DOORS

- Two hinges per door
- Color matching interior
- 12" deep microwave cabinets have a bottom which extends 4" to a depth of 16"
- The bottom is flush on 18" and 21" deep microwave cabinets
- Not designed to be used with microwave trim kits
- AD 18" and 21"

42" High

MWC2742
MWC3042
MWC3342

36" High

MWC2736
MWC3036
MWC3336

39" High

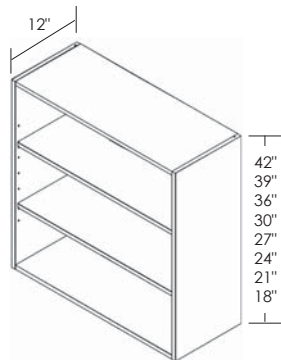
MWC2739
MWC3039
MWC3339

30" High

MWC2730
MWC3030
MWC3330

WALL CABINETRY

AD = Altered depth option



WALL BOOK SHELF CABINETS

- Adjustable shelves
- Color matching interior
- AD 15"

42" High (3 shelves)

WBS1242
WBS1542
WBS1842
WBS2142
WBS2442
WBS2742
WBS3042

27" High (1 shelf)

WBS1227
WBS1527
WBS1827
WBS2127
WBS2427
WBS2727
WBS3027

39" High (2 shelves)

WBS1239
WBS1539
WBS1839
WBS2139
WBS2439
WBS2739
WBS3039

24" High (1 shelf)

WBS1224
WBS1524
WBS1824
WBS2124
WBS2424
WBS2724
WBS3024

36" High (2 shelves)

WBS1236
WBS1536
WBS1836
WBS2136
WBS2436
WBS2736
WBS3036

21" High (1 shelf)

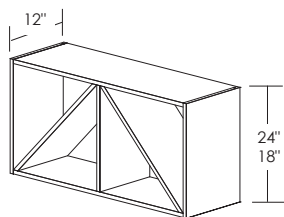
WBS1221
WBS1521
WBS1821
WBS2121
WBS2421
WBS2721
WBS3021

30" High (2 shelves)

WBS1230
WBS1530
WBS1830
WBS2130
WBS2430
WBS2730
WBS3030

18" High (No shelf)

WBS1218
WBS1518
WBS1818
WBS2118
WBS2418
WBS2718
WBS3018



WINE STORAGE CABINET

- Color matching interior

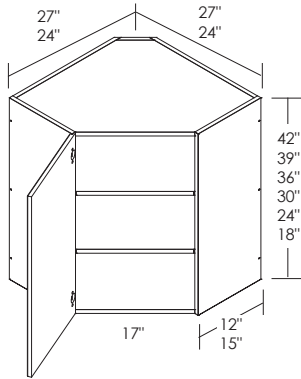
24" High

WSC3024
WSC3624

18" High

WSC3018
WSC3618

WALL CABINETRY



CORNER WALL CABINETS

- Two hinges per door, except 42" high cabinets have three hinges per door
- Specify L or R door hinging
- For full overlay door styles, it is recommended to use fillers on each side of cabinet to ensure proper door operation
- **CW27's are 15"D**

42" High (3 shelves)

CW2442 L or R
CW2742 L or R

30" High (2 shelves)

CW2430 L or R
CW2730 L or R

39" High (2 shelves)

CW2439 L or R
CW2739 L or R

24" High (2 shelves)

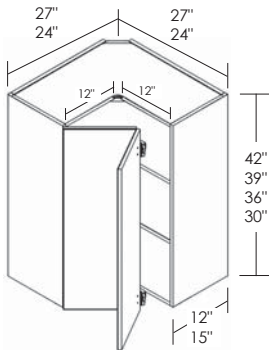
CW2424 L or R
CW2724 L or R

36" High (2 shelves)

CW2436 L or R
CW2736 L or R

18" High (No shelf)

CW2418 L or R
CW2718 L or R



WALL EASY REACH

- Two hinges per door, except 42" high cabinets have three hinges per door
- Bifold doors are hinged together
- Specify L or R door hinging
- **WER27's are 15"D**

42" High (3 shelves)

WER2442 L or R
WER2742 L or R

39" High (2 shelves)

WER2439 L or R
WER2739 L or R

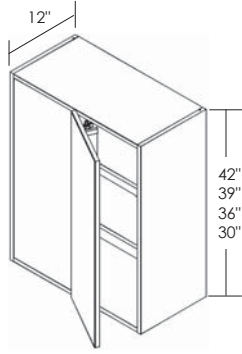
36" High (2 shelves)

WER2436 L or R
WER2736 L or R

30" High (2 shelves)

WER2430 L or R
WER2730 L or R

WALL CABINETRY



SINGLE DOOR BLIND WALL CABINETS

- Two hinges per door, except 42" high cabinets have three hinges per door
- Specify L or R door hinging and blind location

42" High (3 shelves)

BW24/2742 L or R
 BW27/3042 L or R
 BW30/3342 L or R
 BW33/3642 L or R
 BW36/3942 L or R

36" High (2 shelves)

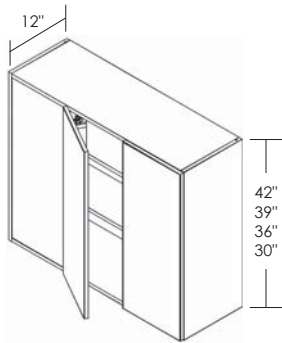
BW24/2736 L or R
 BW27/3036 L or R
 BW30/3336 L or R
 BW33/3636 L or R
 BW36/3936 L or R

39" High (2 shelves)

BW24/2739 L or R
 BW27/3039 L or R
 BW30/3339 L or R
 BW33/3639 L or R
 BW36/3939 L or R

30" High (2 shelves)

BW24/2730 L or R
 BW27/3030 L or R
 BW30/3330 L or R
 BW33/3630 L or R
 BW36/3930 L or R



DOUBLE DOOR BLIND WALL CABINETS

- Two hinges per door, except 42" high cabinets have three hinges per door
- Specify L or R blind location

42" High (3 shelves)

BW39/4242 L or R

36" High (2 shelves)

BW39/4236 L or R

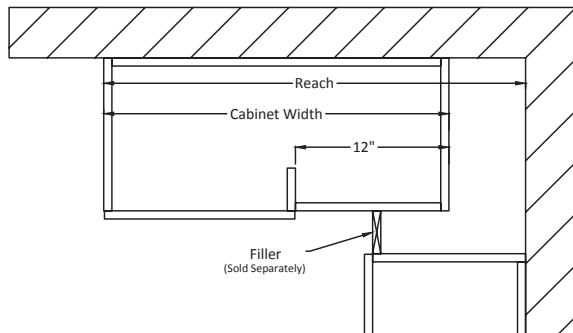
39" High (2 shelves)

BW39/4239 L or R

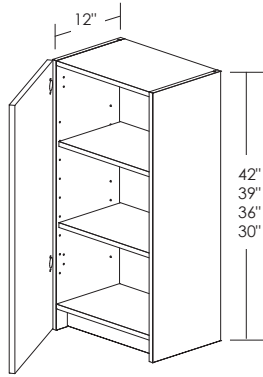
30" High (2 shelves)

BW39/4230 L or R

TYPICAL BLIND WALL LAYOUT



CABINET	CABINET WIDTH	CABINET REPLACED	REACH
BW24/27XX	24	12	25-1/2 – 28-1/2
BW27/30XX	27	15	28-1/2 – 31-1/2
BW30/33XX	30	18	31-1/2 – 33-1/2
BW33/36XX	33	21	33-1/2 – 37-1/2
BW36/39XX	36	24	37-1/2 – 40-1/2
BW39/42XX	39	27	40-1/2 – 43-1/2



SINGLE DOOR WALL WITH RECESSED BOTTOM

- Two hinges per door, except 42" high cabinets have three hinges per door
- 70mm intergrated light rail.
- Specify L or R door hinging
- **AD 15"**

42" High (3 shelves)

W0942RC L or R
 W1242RC L or R
 W1542RC L or R
 W1842RC L or R
 W2142RC L or R
 W2442RC L or R

36" High (2 shelves)

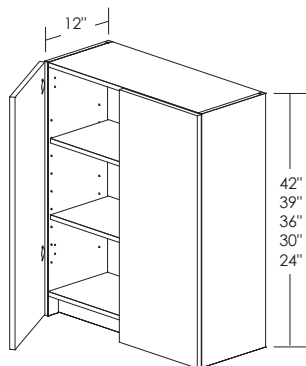
W0936RC L or R
 W1236RC L or R
 W1536RC L or R
 W1836RC L or R
 W2136RC L or R
 W2436RC L or R

39" High (2 shelves)

W0939RC L or R
 W1239RC L or R
 W1539RC L or R
 W1839RC L or R
 W2139RC L or R
 W2439RC L or R

30" High (2 shelves)

W0930RC L or R
 W1230RC L or R
 W1530RC L or R
 W1830RC L or R
 W2130RC L or R
 W2430RC L or R



DOUBLE DOOR WALL WITH RECESSED BOTTOM

- Two hinges per door, except 42" high cabinets have three hinges per door
- 70mm intergrated light rail.
- AD 15"

42" High (3 shelves)

W2742RC
W3042RC
W3342RC
W3642RC
W3942RC

30" High (2 shelves)

W2730RC
W3030RC
W3330RC
W3630RC
W3930RC

39" High (2 shelves)

W2739RC
W3039RC
W3339RC
W3639RC
W3939RC

24" High (1 shelf)

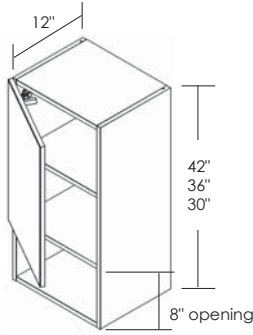
W2724RC
W3024RC
W3324RC
W3624RC
W3924RC

36" High (2 shelves)

W2736RC
W3036RC
W3336RC
W3636RC
W3936RC

WALL CABINETRY

AD = Altered depth option



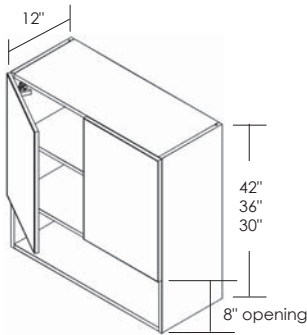
SINGLE DOOR WALL LINEN

- Two hinges per door
- Specify L or R door hinging
- Comes with color matching interior
- AD 15"

42" High (2 shelves)
 WL2142 L or R
 WL2442 L or R

36" High (2 shelves)
 WL2136 L or R
 WL2436 L or R

30" High (1 shelf)
 WL2130 L or R
 WL2430 L or R



DOUBLE DOOR WALL LINEN

- Two hinges per door
- Comes with color matching interior
- AD 15"

42" High (2 shelves)
 WL2442
 WL2742
 WL3042
 WL3342

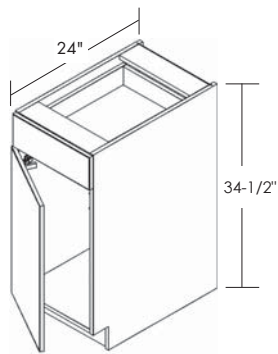
36" High (2 shelves)
 WL2436
 WL2736
 WL3036
 WL3336

30" High (1 shelf)
 WL2430
 WL2730
 WL3030
 WL3330

AD = Altered depth option
 FDS = Full depth shelf option

BASE CABINETRY

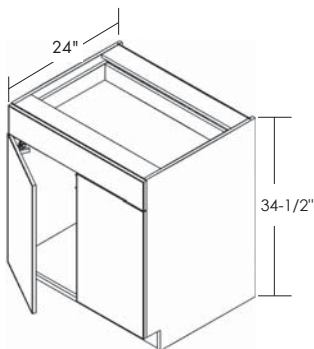
Cabinet Height: 34-1/2". Toe Kick Height: 4".



BASE SINGLE DOOR AND DRAWER

- Two hinges per door
- Specify L or R door hinging
- Comes with adjustable half depth shelf
- **AD 21"**
- **FDS**

B09 L or R
 B12 L or R
 B15 L or R
 B18 L or R
 B21 L or R
 B24 L or R



BASE DOUBLE DOOR AND SINGLE DRAWER

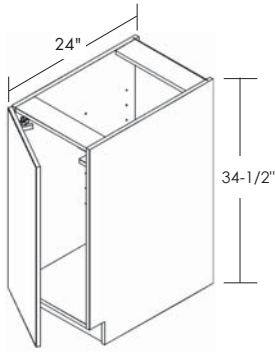
- Two hinges per door
- Comes with adjustable half depth shelf
- **AD 21"**
- **FDS**

B27
 B30
 B33
 *B36
 *B39

*FDS is not available on B36 and B39

BASE CABINETRY

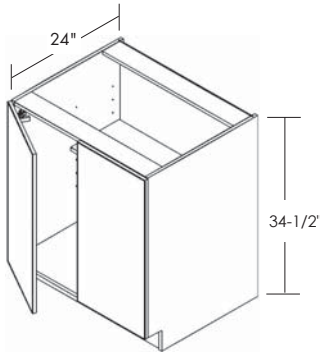
Cabinet Height: 34-1/2". Toe Kick Height: 4".



BASE FULL HEIGHT SINGLE DOOR

- Two hinges per door
- Specify L or R door hinging
- Comes with adjustable half depth shelf
- **AD 15", 18" or 21"**
- **FDS**

B09FH L or R
 B12FH L or R
 B15FH L or R
 B18FH L or R
 B21FH L or R
 B24FH L or R



BASE FULL HEIGHT DOUBLE DOOR

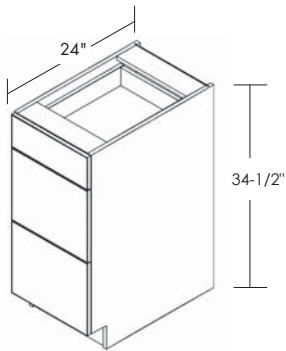
- Two hinges per door
- Comes with adjustable half depth shelf
- **AD 15", 18" or 21"**
- **FDS**

B27FH
 B30FH
 B33FH
 *B36FH
 *B39FH
 *B42FH
 *B45FH
 *B48FH

*FDS is not available on B36FH, B39FH, B42FH, B45FH, and B48FH

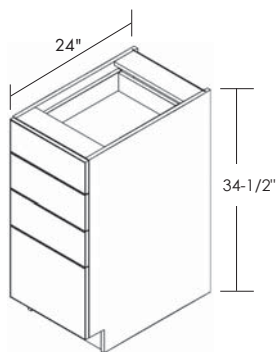
BASE CABINETRY

Cabinet Height: 34-1/2". Toe Kick Height: 4".

**THREE DRAWER BASE**

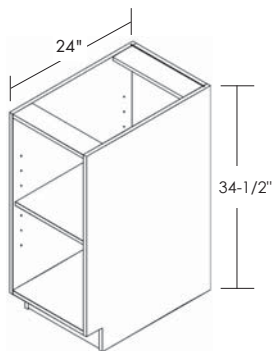
- One standard height drawer on top and two deep drawers on bottom
- **AD 21"**

DB12-3
DB15-3
DB18-3
DB21-3
DB24-3
DB27-3
DB30-3
DB36-3

**FOUR DRAWER BASE**

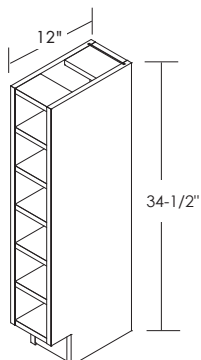
- Three standard height drawers on top and one deep bottom drawer
- **AD 21"**

DB12-4
DB15-4
DB18-4
DB21-4
DB24-4
DB27-4
DB30-4
DB36-4

**BASE BOOKSHELF**

- One adjustable full depth shelf
- Color matching interior
- **AD 12", 18", or 21"**

BBS18
BBS21
BBS24
BBS27
BBS30

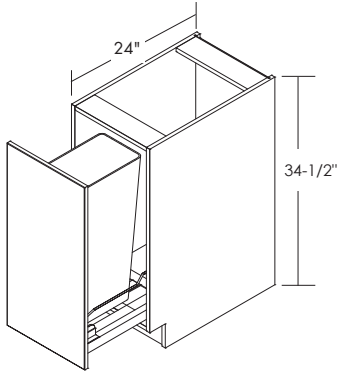
**BASE WINE RACK**

- Color matching interior

BWR6

BASE CABINETS

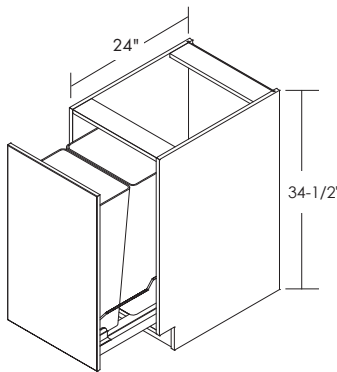
Cabinet Height: 34-1/2". Toe Kick Height: 4".



BASE FULL HEIGHT WITH SINGLE WASTEBASKET BIN PULL OUT

- Door is attached to wastebasket guides and opens as drawer
- 50 qt. removable trash container
- Integrated full extension soft-close guide system

B15FWBS



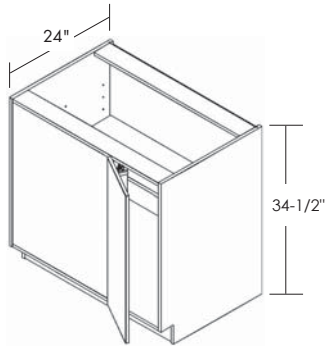
BASE FULL HEIGHT WITH DOUBLE WASTEBASKET BIN PULL OUT

- Door is attached to wastebasket guides and opens as drawer
- Two 50 qt. removable trash containers
- Integrated full extension soft-close guide system

B21FWBD

BASE CABINETS

FDS = Full depth shelf option
 Cabinet Height: 34-1/2". Toe Kick Height: 4".



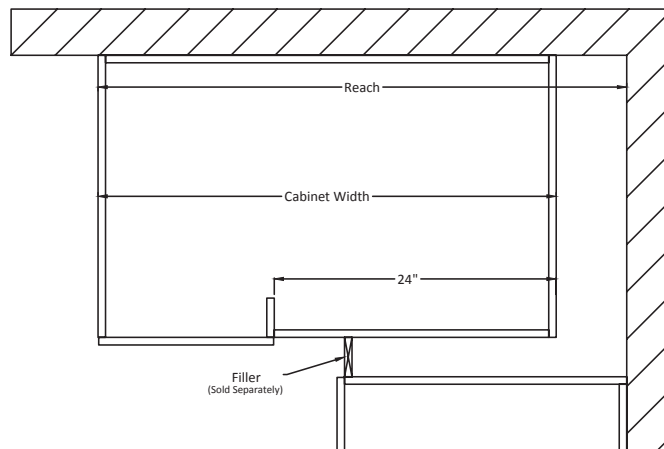
BLIND BASE FULL HEIGHT DOOR

- Two hinges per door
- Specify L or R door hinging
- Comes with adjustable half depth shelf
- Must order filler separately
- **FDS**

- BB39/42FH L or R
- BB42/45FH L or R
- BB45/48FH L or R
- BB48/51FH L or R
- BB51/54FH L or R

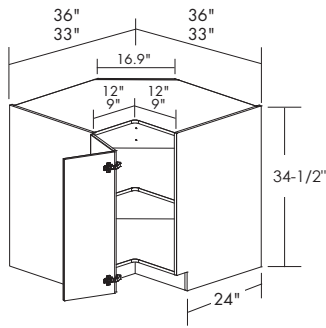
TYPICAL BLIND BASE LAYOUT

Cabinet	Cabinet Width	Cabinet Replaced	Reach
BB39/42FH	36	12	39-42
BB42/45FH	39	15	42-45
BB45/48FH	42	18	45-48
BB48/51FH	45	21	48-51
BB51/54FH	48	24	51-54



BASE CABINETRY

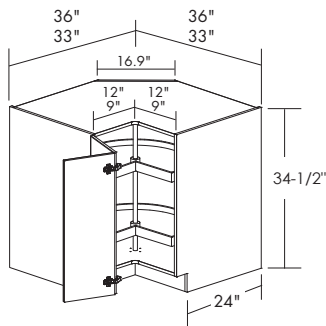
Cabinet Height: 34-1/2". Toe Kick Height: 4".



BASE EASY REACH

- Two hinges per door
- Bifold doors are hinged together
- Specify L or R door hinging
- Comes with one adjustable full depth shelf
- This cabinet is not intended to be used at the end of a cabinet run
- **NOTE: If cabinet is installed next to an appliance that is deeper than 25", it may interfere with door opening. Use of a filler or a BRP end panel between the cabinet and appliance is recommended.**

BER33 L or R
BER36 L or R



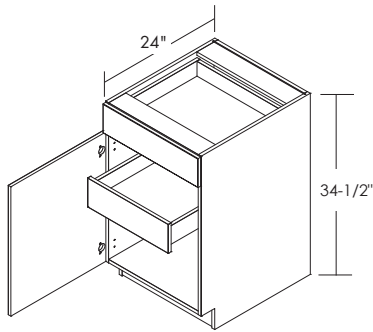
BASE LAZY SUSAN

- Two hinges per door
- Bifold doors are hinged together
- Specify L or R door hinging
- Two high impact 23-1/2" diameter white plastic shelves that rotate independently of each other
- Top shelf height is adjustable
- This cabinet is not intended to be used at the end of a cabinet run
- **NOTE: If cabinet is installed next to an appliance that is deeper than 25", it may interfere with door opening. Use of a filler or a BRP end panel between the cabinet and appliance is recommended.**

BLS33 L or R
BLS36 L or R

BASE CABINETRY

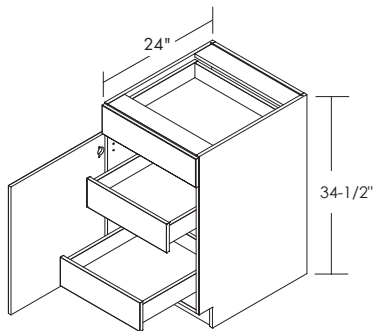
Cabinet Height: 34-1/2". Toe Kick Height: 4".



BASE SINGLE DOOR AND DRAWER WITH ONE ROLL OUT SHELF

- Two hinges per door
- Specify L or R door hinging
- One full depth shelf tray

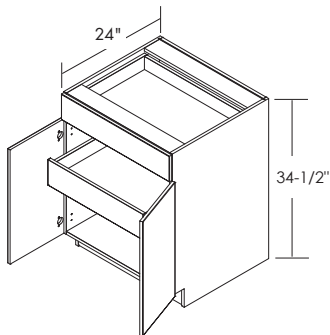
B12ROS L or R
B15ROS L or R
B18ROS L or R
B21ROS L or R
B24ROS L or R



BASE SINGLE DOOR AND DRAWER WITH TWO ROLL OUT SHELVES

- Two hinges per door
- Specify L or R door hinging
- Two full depth shelf trays

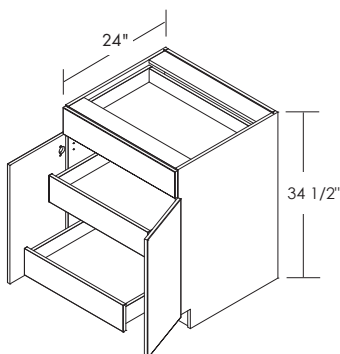
B12ROS2 L or R
B15ROS2 L or R
B18ROS2 L or R
B21ROS2 L or R
B24ROS2 L or R



BASE DOUBLE DOOR WITH SINGLE WIDE DRAWER AND ROLL OUT SHELF

- Two hinges per door
- One full depth shelf tray

B24ROS
B27ROS
B30ROS
B33ROS



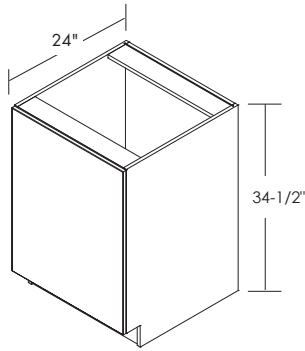
BASE DOUBLE DOOR WITH SINGLE WIDE DRAWER AND TWO ROLL OUT SHELVES

- Two hinges per door
- Two full depth shelf tray

B24ROS2
B27ROS2
B30ROS2
B33ROS2

BASE CABINETRY

Cabinet Height: 34-1/2". Toe Kick Height: 4".



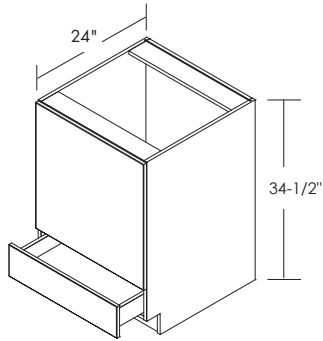
BASE OVEN CABINET

- Attached overlay panel
- Field trimmed base on oven specifications

BOC27
BOC30

MAXIMUM CUT OUT DIMENSIONS

MODEL	WIDTH MAXIMUM	HEIGHT MAXIMUM
BOC27	24.5"	29.0"
BOC30	27.5"	29.0"



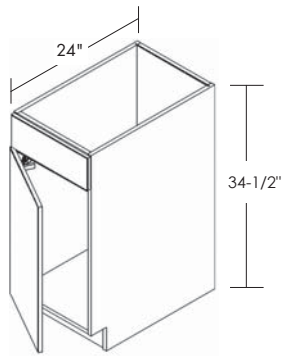
BASE OVEN CABINET WITH DRAWER

- One bottom drawer
- Attached overlay panel
- Field trimmed base on oven specifications

BOD27
BOD30

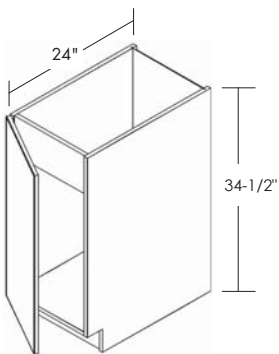
MAXIMUM CUT OUT DIMENSIONS

MODEL	WIDTH MAXIMUM	HEIGHT MAXIMUM
BOD27	24.5"	23.0"
BOD30	27.5"	23.0"

BASE CABINETRY**SINGLE DOOR SINK BASE**

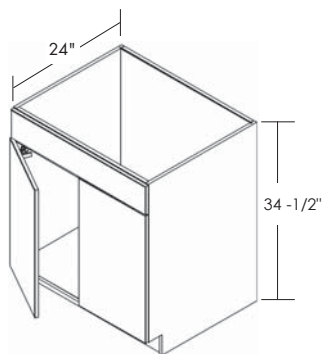
- Two hinges per door
- Specify L or R door hinging
- One false front
- **AD 15", 18", or 21"**

SB18 L or R
SB21 L or R
SB24 L or R

**SINGLE DOOR FULL HEIGHT SINK BASE**

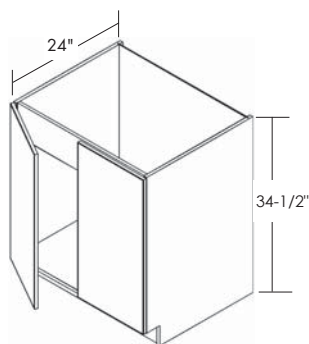
- Two hinges per door
- Specify L or R door hinging
- **AD 15", 18", or 21"**

SB18FH L or R
SB21FH L or R
SB24FH L or R

**DOUBLE DOOR SINK BASE WITH SINGLE DRAWER FRONT**

- Two hinges per door
- One false front
- **AD 15", 18", or 21"**

SB27
SB30
SB33
SB36
SB39
SB42
SB45
SB48

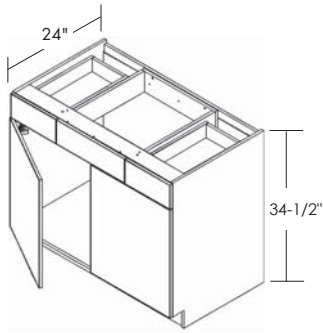
**DOUBLE DOOR FULL HEIGHT SINK BASE**

- Two hinges per door
- **AD 15", 18", or 21"**

SB27FH
SB30FH
SB33FH
SB36FH
SB39FH
SB42FH
SB45FH
SB48FH

BASE CABINETS

Cabinet Height: 34-1/2". Toe Kick Height: 4".



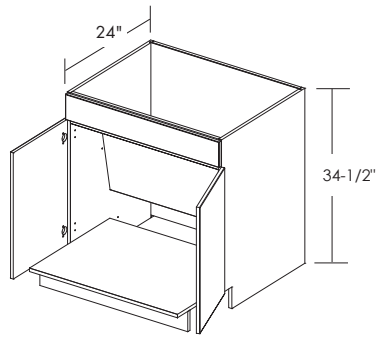
DOUBLE DOOR SINK BASE COMBINATION

- Two hinges per door
- One standard depth drawer on each side with one false front center
- AD 21"

CSB39	9" drawers	21" false front
CSB42	12" drawers	18" false front
CSB45	12" drawers	21" false front
CSB48	12" drawers	24" false front

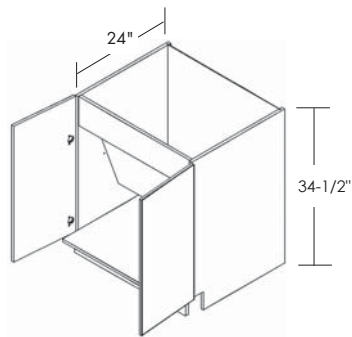
AD = Altered depth option

Cabinet Height: 34-1/2". Toe Kick Height: 4".

BASE CABINETRY**SINK BASE REMOVABLE BOTTOM**

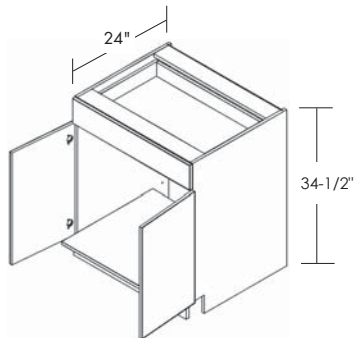
- Two hinges per door
- One false front
- Matching interior
- **AD 21"**

SB31.5RB
SB33RB
SB36RB
SB39RB
SB42RB

**SINK BASE REMOVABLE BOTTOM FULL HEIGHT DOOR**

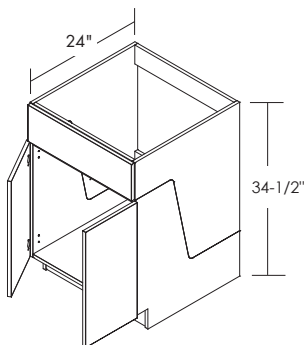
- Two hinges per door
- Matching interior
- **AD 21"**

SB31.5FHRB
SB33FHRB
SB36FHRB
SB39FHRB
SB42FHRB

**BASE REMOVABLE BOTTOM**

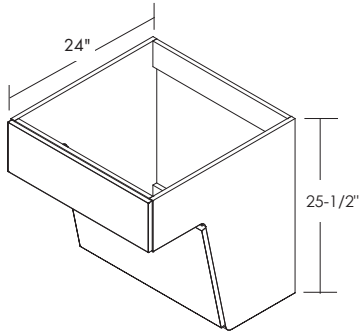
- Two hinges per door
- One top drawer
- Matching interior
- **AD 21"**

B31.5RB
B33RB
B36RB
B39RB

**ACCESSIBLE SINK BASE**

- Two hinges per door
- One false front
- Comes standard with a matching interior
- Both the insert and base must be ordered
- To assemble the Insert to the Base, first remove and store the Baffle (not shown) from the Insert.
- **AD 21"**

INSERT	BASE
UFASIOSB30	ACSB30B
UFASIOSB33	ACSB33B
UFASIOSB36	ACSB36B
UFASIOSB39	ACSB39B
UFASIOSB42	ACSB42B

BASE CABINETS**UFAS SINK BASE INSERT ONLY**

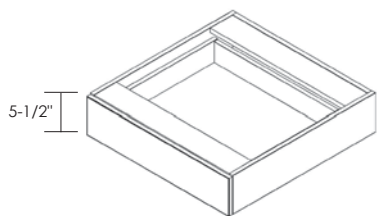
- Baffle is removable for plumbing access
- Designed to meet minimum National ADA clearance requirements when installed at 34-1/2" above the floor
- Insert can be trimmed in field to meet local codes
- Matching interior
- **AD 21"**

UFASIOSB30
UFASIOSB33
UFASIOSB36

BASE CABINETS

DRAWER SKIRT

- 5-1/2" high drawer skirt



21" Deep

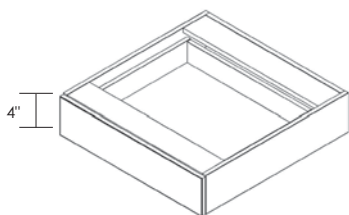
DS1821
DS2121
DS2421
DS2721
DS3021
DS3621

24" Deep

DS1824
DS2124
DS2424
DS2724
DS3024
DS3624

PENCIL DRAWER SKIRT

- 4" high pencil drawer
- Not available in 5PC drawer styles



21" Deep

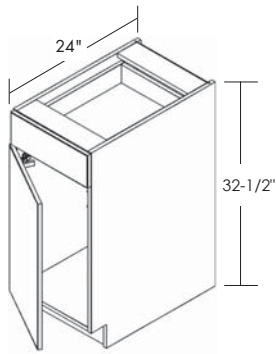
PD1821
PD2121
PD2421
PD2721
PD3021
PD3621

24" Deep

PD1824
PD2124
PD2424
PD2724
PD3024
PD3624

UNIVERSAL ACCESS BASE CABINETRY

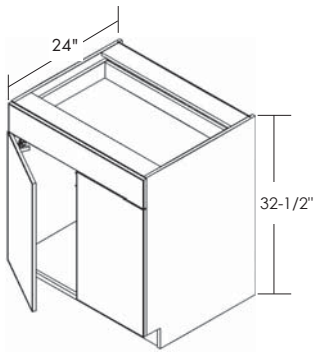
Cabinet Height: 32-1/2". Toe Kick Height: 4".



UNIVERSAL ACCESS BASE SINGLE DOOR AND DRAWER

- Two hinges per door
- Specify L or R door hinging
- Comes with adjustable half depth shelf
- AD 21"
- FDS

HCB09 L or R
 HCB12 L or R
 HCB15 L or R
 HCB18 L or R
 HCB21 L or R
 HCB24 L or R



UNIVERSAL ACCESS BASE DOUBLE DOOR AND SINGLE DRAWER

- Two hinges per door
- Comes with adjustable half depth shelf
- AD 21"
- FDS

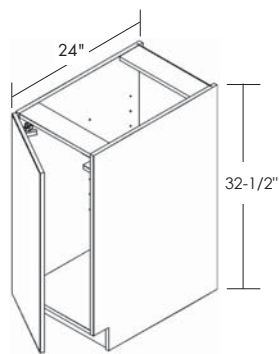
HCB27
 HCB30
 HCB33
 *HCB36
 *HCB39

*FDS is not available on HCB36 and HCB39

AD = Altered depth option
 FDS = Full depth shelf option

UNIVERSAL ACCESS BASE CABINETRY

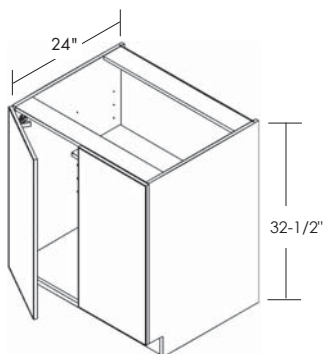
Cabinet Height: 32-1/2". Toe Kick Height: 4".



UNIVERSAL ACCESS BASE FULL HEIGHT SINGLE DOOR

- Two hinges per door
- Specify L or R door hinging
- Comes with adjustable half depth shelf
- AD 15", 18" or 21"
- FDS

HCBO9FH L or R
 HCB12FH L or R
 HCB15FH L or R
 HCB18FH L or R
 HCB21FH L or R
 HCB24FH L or R



UNIVERSAL ACCESS BASE FULL HEIGHT DOUBLE DOOR

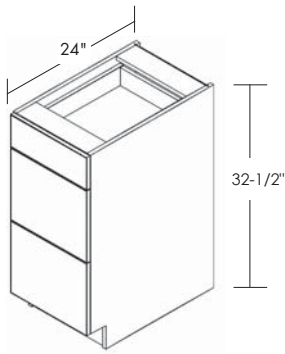
- Two hinges per door
- Comes with adjustable half depth shelf
- AD 15", 18" or 21"
- FDS

HCBO27FH
 HCB30FH
 HCB33FH
 *HCB36FH
 *HCB39FH
 *HCB42FH
 *HCB45FH
 *HCB48FH

*FDS is not available on HCB36FH, HCB39FH, HCB42FH, HCB45FH, and HCB48FH

UNIVERSAL ACCESS BASE CABINETRY

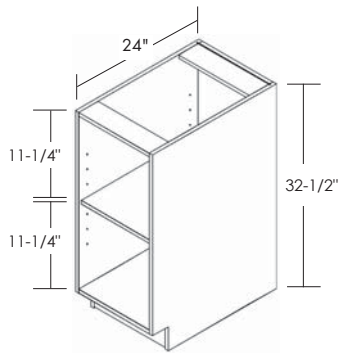
Cabinet Height: 32- 1/2". Toe Kick Height: 4".



UNIVERSAL ACCESS THREE DRAWER BASE

- One standard depth drawer on top and two deep drawers on bottom
- AD 21"

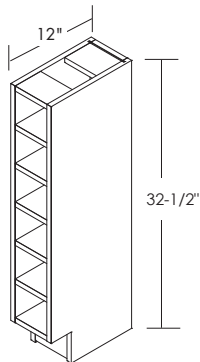
HCDB12-3
 HCDB15-3
 HCDB18-3
 HCDB21-3
 HCDB24-3
 HCDB27-3
 HCDB30-3
 HCDB36-3



UNIVERSAL ACCESS BASE BOOKSHELF

- One adjustable full depth shelf
- Color matching interior
- AD 12", 18", or 21"

HCBBS18
 HCBBS21
 HCBBS24
 HCBBS27
 HCBBS30



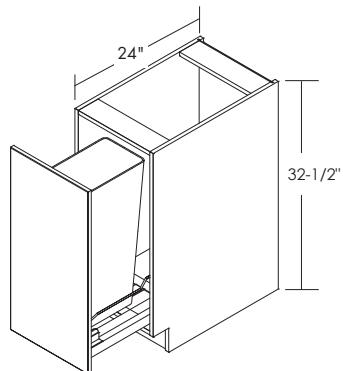
UNIVERSAL ACCESS BASE WINE RACK

- Color matching interior

HCBWR6

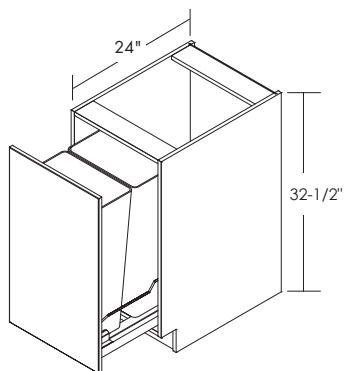
UNIVERSAL ACCESS BASE CABINETRY

Cabinet Height: 32-1/2". Toe Kick Height: 4".

**UNIVERSAL ACCESS BASE FULL HEIGHT WITH SINGLE WASTEBASKET BIN PULL OUT**

- Door is attached to wastebasket guides and opens as drawer
- 50 qt. removable trash container
- Integrated full extension soft-close guide system

HCB15FWBS

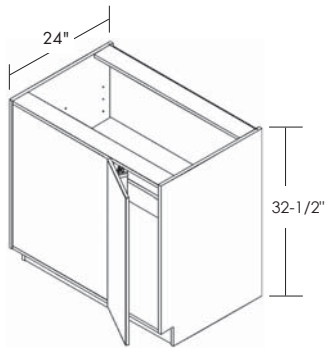
**UNIVERSAL ACCESS BASE FULL HEIGHT WITH DOUBLE WASTEBASKET BIN PULL OUT**

- Door is attached to wastebasket guides and opens as drawer
- Two 50 qt. removable trash containers
- Integrated full extension soft-close guide system

HCB21FWBD

UNIVERSAL ACCESS BASE CABINERY

Cabinet Height: 32-1/2". Toe Kick Height: 4".



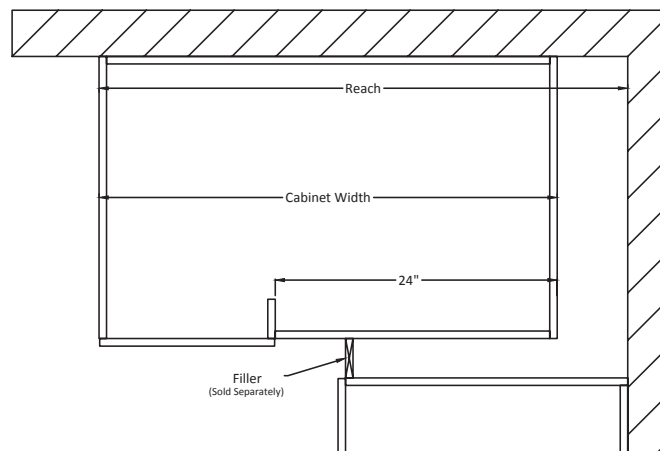
UNIVERSAL ACCESS BLIND BASE FULL HEIGHT DOOR

- Two hinges per door
- Specify L or R door hinging
- Comes with adjustable half depth shelf
- Must order filler separately
- FDS

HCBB39/42FH L or R
 HCBB42/45FH L or R
 HCBB45/48FH L or R
 HCBB48/51FH L or R
 HCBB51/54FH L or R

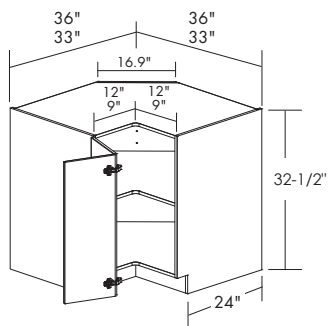
TYPICAL BLIND BASE LAYOUT

Cabinet	Cabinet Width	Cabinet Replaced	Reach
HCBB39/42FH	36	12	39-42
HCBB42/45FH	39	15	42-45
HCBB45/48FH	42	18	45-48
HCBB48/51FH	45	21	48-51
HCBB51/54FH	48	24	51-54



UNIVERSAL ACCESS BASE CABINETRY

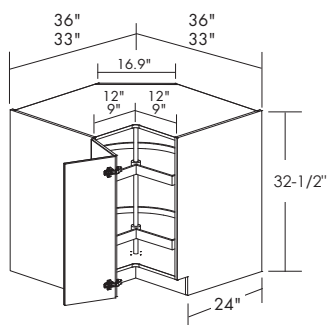
Cabinet Height: 32-1/2". Toe Kick Height: 4".



UNIVERSAL ACCESS BASE EASY REACH

- Two hinges per door
- Bifold doors are hinged together
- Specify L or R door hinging
- Comes with one adjustable full depth shelf
- This cabinet is not intended to be used at the end of a cabinet run
- **NOTE: If cabinet is installed next to an appliance that is deeper than 25", it may interfere with door opening. Use of a filler or a BRP end panel between the cabinet and appliance is recommended.**

HCBER33 L or R
HCBER36 L or R



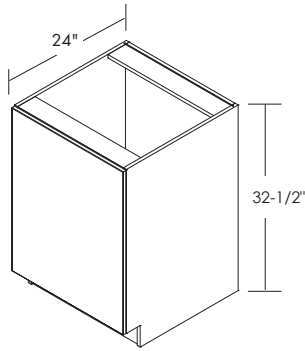
UNIVERSAL ACCESS BASE LAZY SUSAN

- Two hinges per door
- Bifold doors are hinged together
- Specify L or R door hinging
- Two high impact 23 1/2" diameter white plastic shelves that rotate independently of each other
- Top shelf height is adjustable
- This cabinet is not intended to be used at the end of a cabinet run
- **NOTE: If cabinet is installed next to an appliance that is deeper than 25", it may interfere with door opening. Use of a filler or a BRP end panel between the cabinet and appliance is recommended.**

HCBLS33 L or R
HCBLS36 L or R

UNIVERSAL ACCESS CABINETRY

Cabinet Height: 32-1/2". Toe Kick Height: 4".



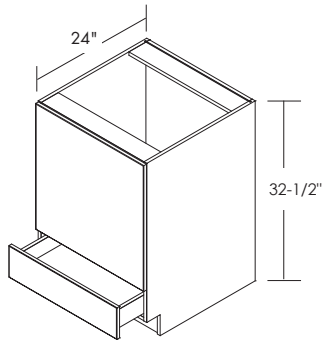
UNIVERSAL ACCESS BASE OVEN CABINET

- Attached overlay panel
- Field trimmed base on oven specifications

HCBOC27
HCBOC30

MAXIMUM CUT OUT DIMENSIONS

MODEL	WIDTH MAXIMUM	HEIGHT MAXIMUM
HCBOC27	24.5"	27.0"
HCBOC30	27.5"	27.0"



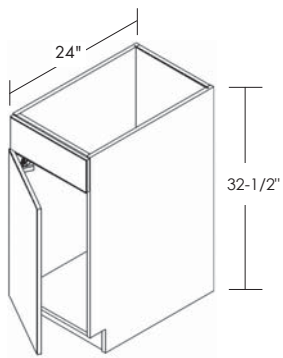
UNIVERSAL ACCESS BASE OVEN CABINET WITH DRAWER

- One bottom drawer
- Attached overlay panel
- Field trimmed base on oven specifications

HCBOD27
HCBOD30

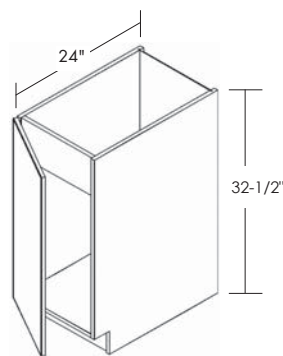
MAXIMUM CUT OUT DIMENSIONS

MODEL	WIDTH MAXIMUM	HEIGHT MAXIMUM
HCBOD27	24.5"	21.0"
HCBOD30	27.5"	21.0"

UNIVERSAL ACCESS CABINETRY**UNIVERSAL ACCESS SINGLE DOOR SINK BASE**

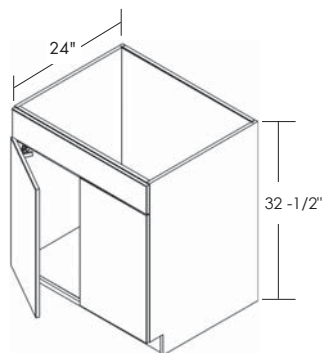
- Two hinges per door
- Specify L or R door hinging
- One false front
- **AD 15", 18", or 21"**

HCSB18 L or R
HCSB21 L or R
HCSB24 L or R

**UNIVERSAL ACCESS SINGLE DOOR FULL HEIGHT SINK BASE**

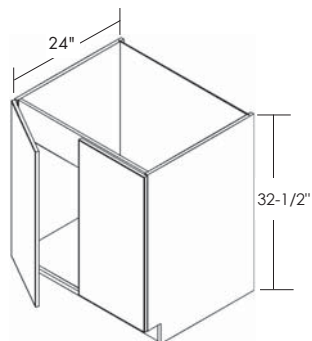
- Two hinges per door
- Specify L or R door hinging
- **AD 15", 18", or 21"**

HCSB18FH L or R
HCSB21FH L or R
HCSB24FH L or R

**UNIVERSAL ACCESS DOUBLE DOOR SINK BASE WITH SINGLE DRAWER FRONT**

- Two hinges per door
- One false front
- **AD 15", 18", or 21"**

HCSB27
HCSB30
HCSB33
HCSB36
HCSB39

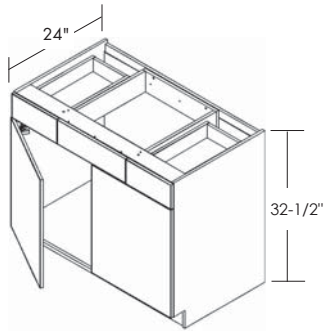
**UNIVERSAL ACCESS DOUBLE DOOR FULL HEIGHT SINK BASE**

- Two hinges per door
- **AD 15", 18", or 21"**

HCSB27FH
HCSB30FH
HCSB33FH
HCSB36FH

UNIVERSAL ACCESS CABINETRY

Cabinet Height: 32-1/2". Toe Kick Height: 4".



UNIVERSAL ACCESS DOUBLE DOOR SINK BASE COMBINATION

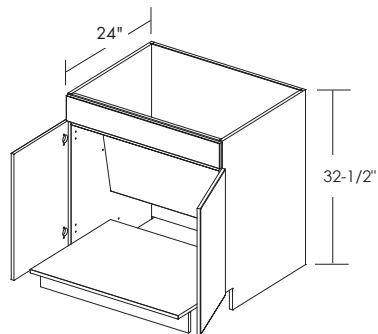
- Two hinges per door
- One standard depth drawer on each side with one false front center
- AD 21"

HCCSB39	9" drawers	21" false front
HCCSB42	12" drawers	18" false front
HCCSB45	12" drawers	21" false front
HCCSB48	12" drawers	24" false front

AD = Altered depth option

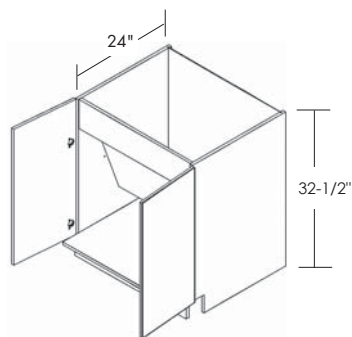
UNIVERSAL ACCESS CABINETRY

Cabinet Height: 32-1/2". Toe Kick Height: 4".

**UNIVERSAL ACCESS SINK BASE REMOVABLE BOTTOM**

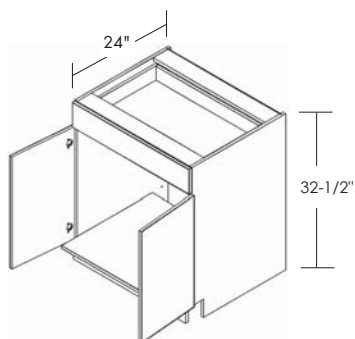
- Two hinges per door
- One false front
- Matching interior
- **AD 21"**

HCSB31.5RB
HCSB33RB
HCSB36RB
HCSB39RB
HCSB42RB

**UNIVERSAL ACCESS SINK BASE REMOVABLE BOTTOM FULL HEIGHT DOOR**

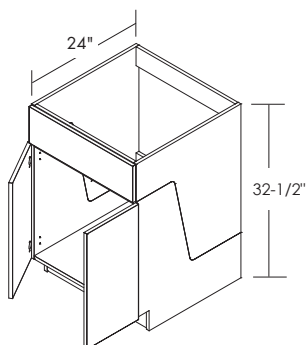
- Two hinges per door
- Matching interior
- **AD 21"**

HCSB31.5FHBR
HCSB33FHBR
HCSB36FHBR
HCSB39FHBR
HCSB42FHBR

**UNIVERSAL ACCESS BASE REMOVABLE BOTTOM**

- Two hinges per door
- One top drawer
- Matching interior
- **AD 21"**

HCBS31.5RB
HCBS33RB
HCBS36RB
HCBS39RB

**UNIVERSAL ACCESS ACCESSIBLE SINK BASE**

- Two hinges per door
- One false front
- Comes standard with a matching interior
- Both the insert and the base must be ordered
- To assemble the Insert to the Base, first remove and store the Baffle (not shown) from the Insert.
- **AD 21"**

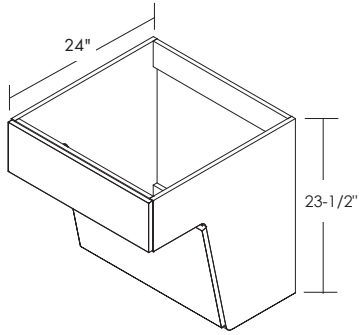
INSERT

UFASIOHCSB30
UFASIOHCSB33
UFASIOHCSB36
UFASIOHCSB39
UFASIOHCSB42

BASE

HCACSB30B
HCACSB33B
HCACSB36B
HCACSB39B
HCACSB42B

UNIVERSAL ACCESS CABINETRY



UFAS UNIVERSAL ACCESS SINK BASE INSERT ONLY

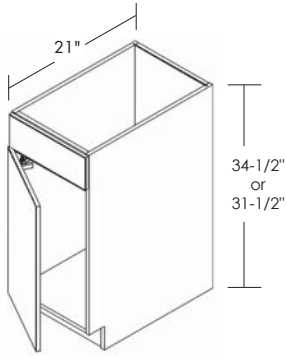
- Baffle is removable for plumbing access
- Designed to meet minimum National ADA clearance requirements when installed at 32-1/2" above the floor
- Insert can be trimmed in field to meet local codes
- Matching interior
- **AD 21"**

UFASIOHCSB30
UFASIOHCSB33
UFASIOHCSB36

AD = Altered depth option
 NTK = No toe kick option

VANITY BASE CABINETRY

Cabinet Height: 31-1/2" or 34-1/2". Toe Kick Height: 4".



SINGLE DOOR VANITY SINK BASE

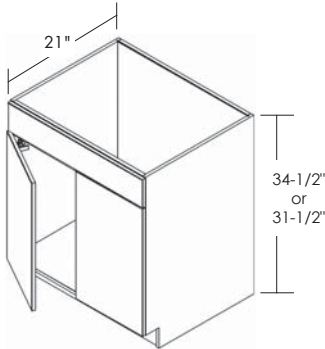
- Two hinges per door
- Specify L or R door hinging
- One false front
- **AD 18"**
- **NTK**

31-1/2" HIGH

VSB18 L or R
 VSB21 L or R
 VSB24 L or R

34-1/2" HIGH

VSB18H L or R
 VSB21H L or R
 VSB24H L or R



DOUBLE DOOR VANITY SINK BASE WITH SINGLE DRAWER FRONT

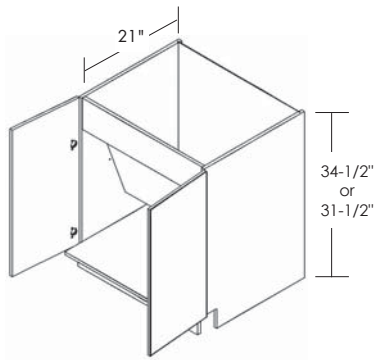
- Two hinges per door
- One false front
- **AD 18"**
- **NTK**

31-1/2" HIGH

VSB27
 VSB30
 VSB33
 VSB36
 VSB39
 VSB42
 VSB45
 VSB48

34-1/2" HIGH

VSB27H
 VSB30H
 VSB33H
 VSB36H
 VSB39H
 VSB42H
 VSB45H
 VSB48H



VANITY SINK BASE REMOVABLE BOTTOM FULL HEIGHT DOOR

- Two hinges per door
- Matching interiors
- **AD 18"**

31-1/2" HIGH

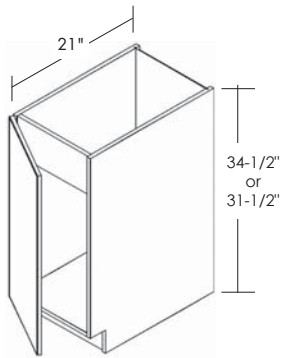
VSB31.5FHRRB
 VSB33FHRRB
 VSB36FHRRB
 VSB39FHRRB
 VSB42FHRRB

34-1/2" HIGH

VSB31.5HFHRRB
 VSB33HFHRRB
 VSB36HFHRRB
 VSB39HFHRRB
 VSB42HFHRRB

VANITY BASE CABINETRY

Cabinet Height: 31-1/2" or 34-1/2". Toe Kick Height: 4".



SINGLE DOOR FULL HEIGHT VANITY BASE

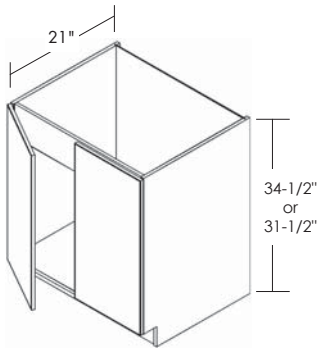
- Two hinges per door
- Specify L or R door hinging
- **AD 18"**
- **NTK**

31-1/2" HIGH

VB09FH L or R
 VB12FH L or R
 VB15FH L or R
 VB18FH L or R
 VB21FH L or R
 VB24FH L or R

34-1/2" HIGH

VB09HFH L or R
 VB12HFH L or R
 VB15HFH L or R
 VB18HFH L or R
 VB21HFH L or R
 VB24HFH L or R



DOUBLE DOOR FULL HEIGHT VANITY BASE

- Two hinges per door
- **AD 18"**
- **NTK**

31-1/2" HIGH

VB27FH
 VB30FH
 VB33FH
 VB36FH
 VB39FH
 VB42FH
 VB45FH
 VB48FH

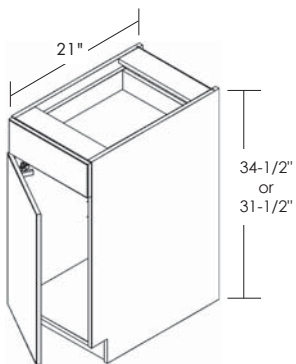
34-1/2" HIGH

VB27HFH
 VB30HFH
 VB33HFH
 VB36HFH
 VB39HFH
 VB42HFH
 VB45HFH
 VB48HFH

VANITY BASE CABINETRY

NTK = No toe kick option

Cabinet Height: 31-1/2" or 34-1/2". Toe Kick Height: 4".



VANITY BASE SINGLE DOOR AND DRAWER

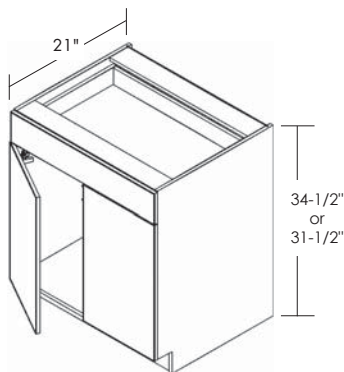
- Two hinges per door
- Specify L or R door hinging
- NTK

31-1/2" HIGH

VB09 L or R
VB12 L or R
VB15 L or R
VB18 L or R
VB21 L or R
VB24 L or R

34-1/2" HIGH

VB09H L or R
VB12H L or R
VB15H L or R
VB18H L or R
VB21H L or R
VB24H L or R



VANITY BASE DOUBLE DOOR AND SINGLE DRAWER

- Two hinges per door
- NTK

31-1/2" HIGH

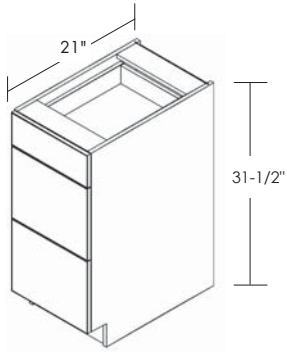
VB27
VB30
VB33
VB36
VB39

34-1/2" HIGH

VB27H
VB30H
VB33H
VB36H
VB39H

VANITY BASE CABINETRY

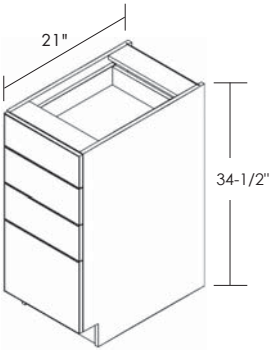
Cabinet Height: 31-1/2" or 34-1/2". Toe Kick Height: 4".

**THREE DRAWER VANITY BASE**

- One standard height drawer on top and two deep drawers on bottom
- NTK

31-1/2" HIGH

VDB12-3
 VDB15-3
 VDB18-3
 VDB21-3
 VDB24-3
 VDB27-3
 VDB30-3
 VDB36-3

**TALL FOUR DRAWER VANITY BASE**

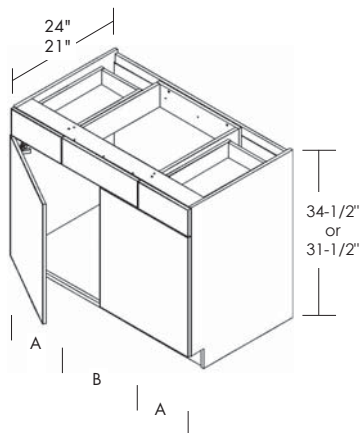
- Three standard height drawers on top and one deep bottom drawer
- NTK

34-1/2" HIGH

VDB12H-4
 VDB15H-4
 VDB18H-4
 VDB21H-4
 VDB24H-4
 VDB27H-4
 VDB30H-4
 VDB36H-4

VANITY BASE CABINETRY

Cabinet Height: 31-1/2" or 34-1/2". Toe Kick Height: 4".



COMBO DOUBLE DOOR VANITY SINK BASE WITH TWO DRAWERS

- Two hinges per door
- Two standard depth drawers on each side with one false front center
- AD 24"

31-1/2" HIGH

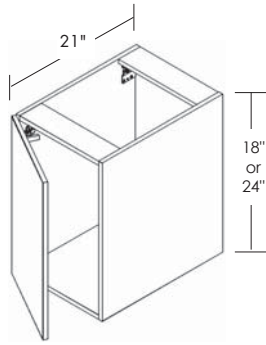
CVSB39
CVSB42
CVSB45
CVSB48

34-1/2" HIGH

CVSB39H
CVSB42H
CVSB45H
CVSB48H

	A	B	A
CVSB39/CVSB39H	9"	21"	9"
CVSB42/CVSB42H	12"	18"	12"
CVSB45/CVSB45H	12"	21"	12"
CVSB48/CVSB48H	12"	24"	12"

VANITY BASE CABINETRY



HANGING VANITY BASE FULL HEIGHT SINGLE DOOR

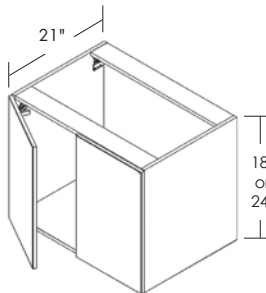
- Two hinges per door
- Specify L or R door hinging
- Comes with adjustable half depth shelf
- AD 18"
- FDS

18" HIGH

HVB0918FH L or R
HVB1218FH L or R
HVB1518FH L or R
HVB1818FH L or R
HVB2118FH L or R

24" HIGH

HVB0924FH L or R
HVB1224FH L or R
HVB1524FH L or R
HVB1824FH L or R
HVB2124FH L or R



HANGING VANITY BASE FULL HEIGHT DOUBLE DOOR

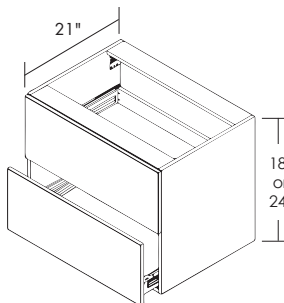
- Two hinges per door
- Comes with adjustable half depth shelf
- AD 18"
- FDS

18" HIGH

HVB2418FH
HVB2718FH
HVB3018FH
HVB3318FH
HVB3618FH

24" HIGH

HVB2424FH
HVB2724FH
HVB3024FH
HVB3324FH
HVB3624FH



HANGING VANITY TWO DRAWER BASE

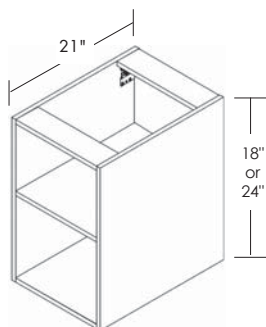
- Two equal size drawers

18" HIGH

HVDB1218
HVDB1518
HVDB1818
HVDB2118
HVDB2418
HVDB2718
HVDB3018
HVDB3318
HVDB3618

24" HIGH

HVDB1224
HVDB1524
HVDB1824
HVDB2124
HVDB2424
HVDB2724
HVDB3024
HVDB3324
HVDB3624



HANGING VANITY BOOK SHELF

- One full depth fixed center shelf
- Two equal openings
- AD 18"

18" HIGH

HVBS0918
HVBS1218
HVBS1518
HVBS1818
HVBS2118
HVBS2418
HVBS2718
HVBS3018
HVBS3318
HVBS3618

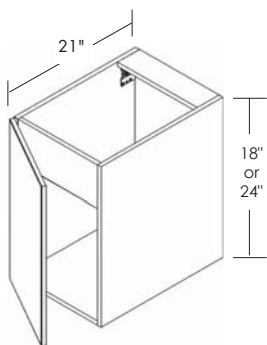
24" HIGH

HVBS0924
HVBS1224
HVBS1524
HVBS1824
HVBS2124
HVBS2424
HVBS2724
HVBS3024
HVBS3324
HVBS3624

AD = Altered depth option

Cabinet Height: 18" or 24".

VANITY BASE CABINETRY



HANGING VANITY SINK BASE FULL HEIGHT SINGLE DOOR

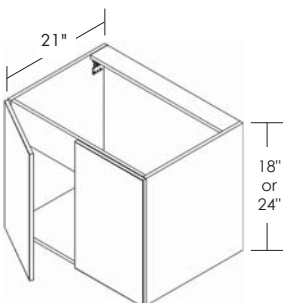
- Two hinges per door
- Specify L or R door hinging
- AD 18"

18" HIGH

HVSB1818FH L or R
HVSB2118FH L or R

24" HIGH

HVSB1824FH L or R
HVSB2124FH L or R



HANGING VANITY SINK BASE FULL HEIGHT DOUBLE DOOR

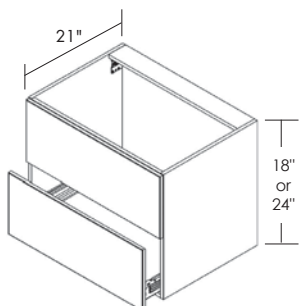
- Two hinges per door
- AD 18"

18" HIGH

HVSB2418FH
HVSB2718FH
HVSB3018FH
HVSB3318FH
HVSB3618FH

24" HIGH

HVSB2424FH
HVSB2724FH
HVSB3024FH
HVSB3324FH
HVSB3624FH



HANGING VANITY SINK DRAWER BASE

- One top false front
- One bottom drawer

18" HIGH

HVSD1818
HVSD2118
HVSD2418
HVSD2718
HVSD3018
HVSD3318
HVSD3618

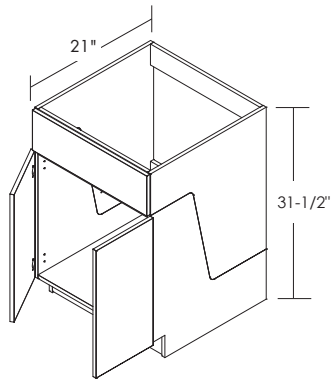
24" HIGH

HVSD1824
HVSD2124
HVSD2424
HVSD2724
HVSD3024
HVSD3324
HVSD3624

Leedo does not provide drawer cut out for p-trap and may require plumbing to clear drawer operation.

VANITY BASE CABINETRY

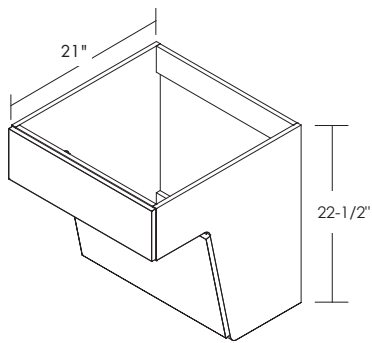
Cabinet Height: 31-1/2". Toe Kick Height: 4".



ACCESSIBLE VANITY SINK BASE

- Two hinges per door
- One false front
- Both the insert and base must be ordered
- To assemble the Insert to the Base, first remove and store the Baffle (not shown) from the Insert.

INSERT	BASE
UFASIOV30	VACSB30B
UFASIOV33	VACSB33B
UFASIOV36	VACSB36B
UFASIOV39	VACSB39B
UFASIOV42	VACSB42B



UFAS VANITY SINK BASE INSERT ONLY

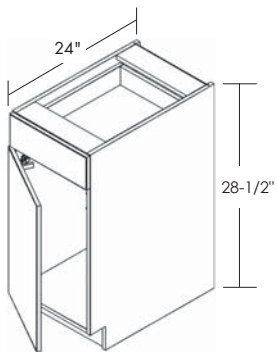
- Baffle is removable for plumbing access
- Designed to meet minimum National ADA clearance requirements when installed 31-1/2" above the floor
- Insert can be trimmed in field to meet local codes
- Matching interior

UFASIOV30
UFASIOV33
UFASIOV36

AD = Altered depth option
 FDS = Full depth shelf option

DESK BASE CABINETRY

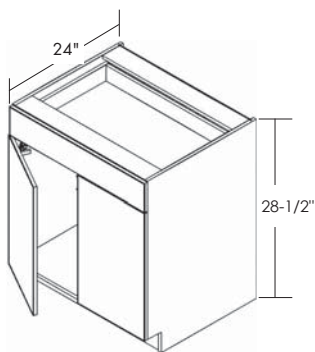
Cabinet Height: 28-1/2". Toe Kick Height: 4".



DESK BASE SINGLE DOOR AND DRAWER

- Two hinges per door
- Specify L or R door hinging
- Comes with adjustable half depth shelf
- **AD 21"**
- **FDS**

DKB12 L or R
 DKB15 L or R
 DKB18 L or R
 DKB21 L or R
 DKB24 L or R



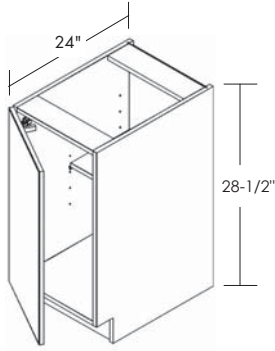
DESK BASE DOUBLE DOOR AND SINGLE DRAWER

- Two hinges per door
- Comes with adjustable half depth shelf
- **AD 21"**
- **FDS**

DKB27

DESK BASE CABINETRY

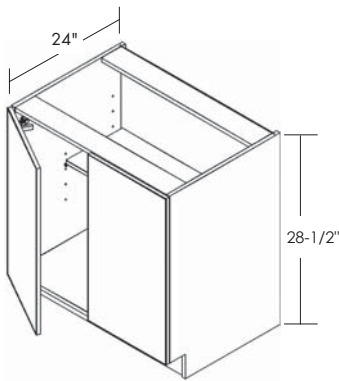
Cabinet Height: 28-1/2". Toe Kick Height: 4".



DESK BASE FULL HEIGHT SINGLE DOOR

- Two hinges per door
- Specify L or R door hinging
- Comes with adjustable half depth shelf
- **AD 18" or 21"**
- **FDS**

DKB09FH L or R
 DKB12FH L or R
 DKB15FH L or R
 DKB18FH L or R
 DKB21FH L or R
 DKB24FH L or R



DESK BASE FULL HEIGHT DOUBLE DOOR

- Two hinges per door
- Comes with adjustable half depth shelf
- **AD 18" or 21"**
- **FDS**

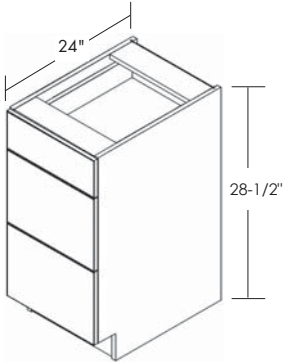
DKB27FH
 DKB30FH
 DKB33FH
 *DKB36FH
 *DKB39FH
 *DKB42FH
 *DKB45FH
 *DKB48FH

*FDS is not available on DKB36FH, DKB39FH, DKB42FH, DKB45FH, and DKB48FH

AD = Altered depth option

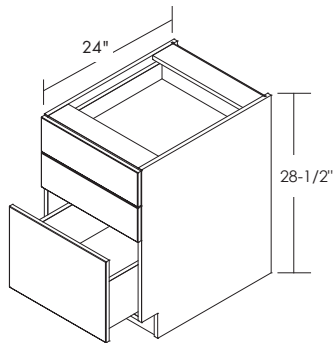
DESK BASE CABINETY

Cabinet Height: 28-1/2". Toe Kick Height: 4".

**THREE DRAWER DESK BASE**

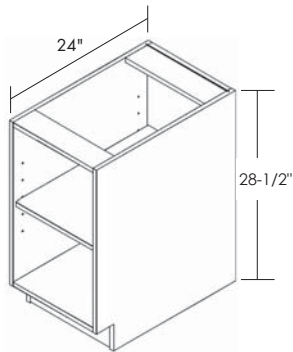
- One standard depth drawer on top and two deep drawers on bottom
- **AD 21"**

DKDB12-3
DKDB15-3
DKDB18-3
DKDB21-3
DKDB24-3

**FILE DRAWER DESK BASE**

- Two standard height drawers
- Deep drawer on bottom to accommodate files
- Not available with Metal drawer box
- Bottom file drawer has full extension under mount soft-close guides
- **AD 21"**

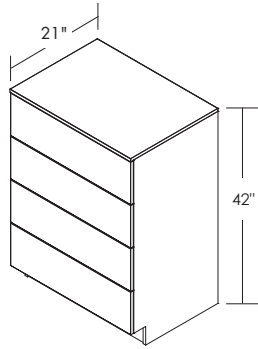
DKFD18

**DESK BASE BOOKSHELF**

- Two 9- 3/4" H openings
- Color matching interior
- Adjustable full depth shelf
- **AD 12", 18", or 21"**

DKBBS18
DKBBS21
DKBBS24
DKBBS27
DKBBS30

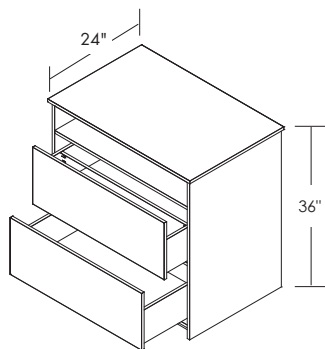
FURNITURE BASE CABINETRY



CLOSET DRAWER BASE

- Four deep drawers with full extension under mount soft-close guides
- Cabinet top is attached by clips and aligns flush with drawers
- Top has a melamine surface for durability
- Wall cabinet can be installed on top of base to create a custom look. Wall cabinet must be ordered separately.
- AD 18"

CLDB24
CLDB27
CLDB30

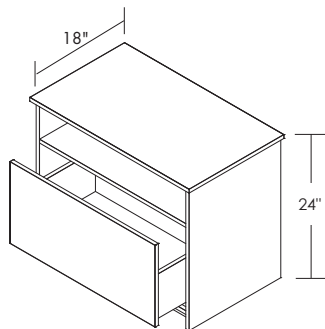


FURNITURE ENTERTAINMENT DRAWER BASE

- Two deep drawers with full extension under mount soft-close guides
- Cabinet top is attached by clips and over hangs the cabinet on the sides and front.
- Top must be ordered separately
- Top has a melamine surface for durability
- Inset drawer design

FEDB36

		Width	Depth	Thickness
FEDB36TOP	FEDB36TOP	37-1/2"	24-5/8"	5/8"



FURNITURE BEDSIDE TABLE

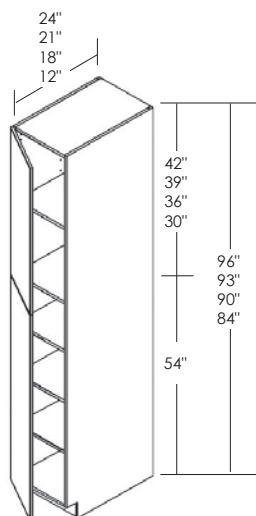
- One deep drawer with full extension under mount soft-close guides
- Cabinet top is attached by clips and over hangs the cabinet on the sides and front
- Top must be ordered separately
- Top has a melamine surface for durability
- Inset drawer design

FBT18
FBT24
FBT30

		Width	Depth	Thickness
FBT18TOP	FBT18TOP	19-1/4"	18-5/8"	5/8"
FBT24TOP	FBT24TOP	25-1/4"	18-5/8"	5/8"
FBT30TOP	FBT30TOP	31-1/4"	18-5/8"	5/8"

TALL CABINETRY

Toe Kick Height: 4".



PANTRY CABINET WITH SINGLE DOORS

- Bottom door has three hinges. Upper door has two hinges, except 96" high cabinets have three hinges on top door
- Specify L or R door hinging
- Comes with three full depth adjustable shelves in lower section and one full depth adjustable shelf in upper section.
- Has one fixed shelf between the doors
- **93" and 96" tall cabinets must also order Toe Box Platform (TBOX___).** This design will aid when installing in low ceiling heights. Additional material may be needed to cover the seam between the toekick platform and the end panel.
- **NOTE: Horizontal grain is not available on Pantry Cabinets. Order Utility Cabinets when horizontal grain is required.**

12" DEEP CABINETS

P1284X12 L or R
 P1584X12 L or R
 P1884X12 L or R
 P2184X12 L or R

P1290X12 L or R
 P1590X12 L or R
 P1890X12 L or R
 P2190X12 L or R

P1293X12 L or R
 P1593X12 L or R
 P1893X12 L or R
 P2193X12 L or R

P1296X12 L or R
 P1596X12 L or R
 P1896X12 L or R
 P2196X12 L or R

18" DEEP CABINETS

P1284X18 L or R
 P1584X18 L or R
 P1884X18 L or R
 P2184X18 L or R

P1290X18 L or R
 P1590X18 L or R
 P1890X18 L or R
 P2190X18 L or R

P1293X18 L or R
 P1593X18 L or R
 P1893X18 L or R
 P2193X18 L or R

P1296X18 L or R
 P1596X18 L or R
 P1896X18 L or R
 P2196X18 L or R

21" DEEP CABINETS

P1284X21 L or R
 P1584X21 L or R
 P1884X21 L or R
 P2184X21 L or R

P1290X21 L or R
 P1590X21 L or R
 P1890X21 L or R
 P2190X21 L or R

P1293X21 L or R
 P1593X21 L or R
 P1893X21 L or R
 P2193X21 L or R

P1296X21 L or R
 P1596X21 L or R
 P1896X21 L or R
 P2196X21 L or R

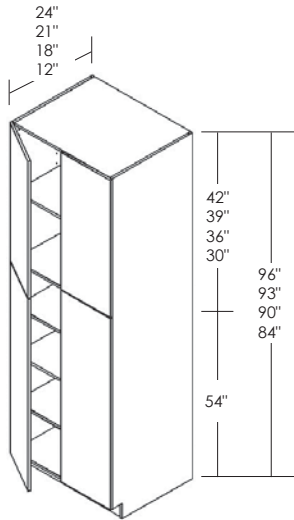
24" DEEP CABINETS

P1284X24 L or R
 P1584X24 L or R
 P1884X24 L or R
 P2184X24 L or R

P1290X24 L or R
 P1590X24 L or R
 P1890X24 L or R
 P2190X24 L or R

P1293X24 L or R
 P1593X24 L or R
 P1893X24 L or R
 P2193X24 L or R

P1296X24 L or R
 P1596X24 L or R
 P1896X24 L or R
 P2196X24 L or R



PANTRY CABINET WITH DOUBLE DOORS

- Bottom door has three hinges. Upper door has two hinges, except 96" high cabinets have three hinges on top door
- Comes with double doors on top and bottom sections
- Comes with three full depth adjustable shelves in lower section and one full depth adjustable shelf in upper section.
- Has one fixed shelf between the doors
- **93" and 96" tall cabinets must also order Toe Box Platform (TBOX_____)**. This design will aid when installing in low ceiling heights. Additional material may be needed to cover the seam between the toekick platform and the end panel.
- **NOTE: Horizontal grain is not available on Pantry Cabinets. Order Utility Cabinets when horizontal grain is required.**

12" DEEP CABINETS

P2484X12
P2784X12
P3084X12
P3384X12
P3684X12

P2490X12
P2790X12
P3090X12
P3390X12
P3690X12

P2493X12
P2793X12
P3093X12
P3393X12
P3693X12

P2496X12
P2796X12
P3096X12
P3396X12
P3696X12

18" DEEP CABINETS

P2484X18
P2784X18
P3084X18
P3384X18
P3684X18

P2490X18
P2790X18
P3090X18
P3390X18
P3690X18

P2493X18
P2793X18
P3093X18
P3393X18
P3693X18

P2496X18
P2796X18
P3096X18
P3396X18
P3696X18

21" DEEP CABINETS

P2484X21
P2784X21
P3084X21
P3384X21
P3684X21

P2490X21
P2790X21
P3090X21
P3390X21
P3690X21

P2493X21
P2793X21
P3093X21
P3393X21
P3693X21

P2496X21
P2796X21
P3096X21
P3396X21
P3696X21

24" DEEP CABINETS

P2484X24
P2784X24
P3084X24
P3384X24
P3684X24

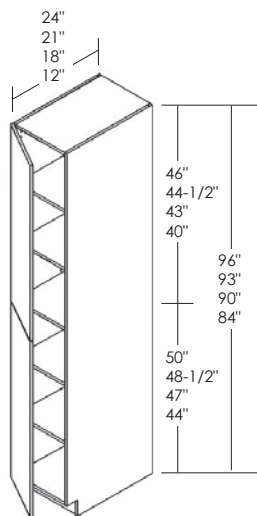
P2490X24
P2790X24
P3090X24
P3390X24
P3690X24

P2493X24
P2793X24
P3093X24
P3393X24
P3693X24

P2496X24
P2796X24
P3096X24
P3396X24
P3696X24

TALL CABINETRY

Toe Kick Height: 4".



UTILITY CABINET WITH SINGLE DOORS

- 84" high has two hinges per door. 90", 93" and 96" high have three hinges per door.
- Specify L or R door hinging
- Comes with three full depth adjustable shelves in lower section and one full depth adjustable shelf in upper section.
- Has one fixed shelf between the doors
- **93" and 96" tall cabinets must also order Toe Box Platform (TBOX_____)**. This design will aid when installing in low ceiling heights. Additional material may be needed to cover the seam between the toekick platform and the end panel.

12" DEEP CABINETS

UC1284X12 L or R
UC1584X12 L or R
UC1884X12 L or R
UC2184X12 L or R

UC1290X12 L or R
UC1590X12 L or R
UC1890X12 L or R
UC2190X12 L or R

UC1293X12 L or R
UC1593X12 L or R
UC1893X12 L or R
UC2193X12 L or R

UC1296X12 L or R
UC1596X12 L or R
UC1896X12 L or R
UC2196X12 L or R

18" DEEP CABINETS

UC1284X18 L or R
UC1584X18 L or R
UC1884X18 L or R
UC2184X18 L or R

UC1290X18 L or R
UC1590X18 L or R
UC1890X18 L or R
UC2190X18 L or R

UC1293X18 L or R
UC1593X18 L or R
UC1893X18 L or R
UC2193X18 L or R

UC1296X18 L or R
UC1596X18 L or R
UC1896X18 L or R
UC2196X18 L or R

21" DEEP CABINETS

UC1284X21 L or R
UC1584X21 L or R
UC1884X21 L or R
UC2184X21 L or R

UC1290X21 L or R
UC1590X21 L or R
UC1890X21 L or R
UC2190X21 L or R

UC1293X21 L or R
UC1593X21 L or R
UC1893X21 L or R
UC2193X21 L or R

UC1296X21 L or R
UC1596X21 L or R
UC1896X21 L or R
UC2196X21 L or R

24" DEEP CABINETS

UC1284X24 L or R
UC1584X24 L or R
UC1884X24 L or R
UC2184X24 L or R

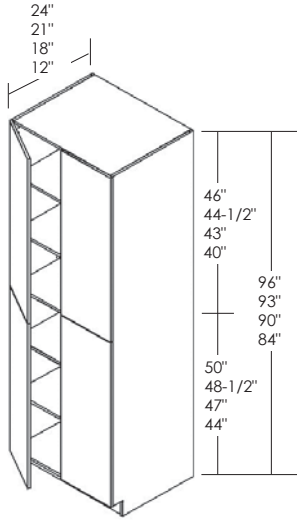
UC1290X24 L or R
UC1590X24 L or R
UC1890X24 L or R
UC2190X24 L or R

UC1293X24 L or R
UC1593X24 L or R
UC1893X24 L or R
UC2193X24 L or R

UC1296X24 L or R
UC1596X24 L or R
UC1896X24 L or R
UC2196X24 L or R

TALL CABINETRY

Toe Kick Height: 4"



UTILITY CABINET WITH DOUBLE DOORS

- 84" high has two hinges per door. 90", 93" and 96" high have three hinges per door.
- Specify L or R door hinging
- Comes with three full depth adjustable shelves in lower section and one full depth adjustable shelf in upper section.
- Has one fixed shelf between the doors
- **93" and 96" tall cabinets must also order Toe Box Platform (TBOX_____)**. This design will aid when installing in low ceiling heights. Additional material may be needed to cover the seam between the toekick platform and the end panel.

12" DEEP CABINETS

- UC2484X12
- UC2784X12
- UC3084X12
- UC3384X12
- UC3684X12
- UC2490X12
- UC2790X12
- UC3090X12
- UC3390X12
- UC3690X12
- UC2493X12
- UC2793X12
- UC3093X12
- UC3393X12
- UC3693X12
- UC2496X12
- UC2796X12
- UC3096X12
- UC3396X12
- UC3696X12

18" DEEP CABINETS

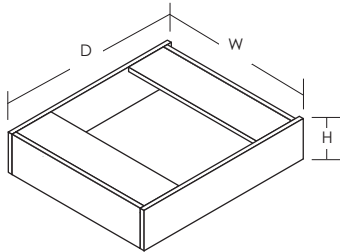
- UC2484X18
- UC2784X18
- UC3084X18
- UC3384X18
- UC3684X18
- UC2490X18
- UC2790X18
- UC3090X18
- UC3390X18
- UC3690X18
- UC2493X18
- UC2793X18
- UC3093X18
- UC3393X18
- UC3693X18
- UC2496X18
- UC2796X18
- UC3096X18
- UC3396X18
- UC3696X18

21" DEEP CABINETS

- UC2484X21
- UC2784X21
- UC3084X21
- UC3384X21
- UC3684X21
- UC2490X21
- UC2790X21
- UC3090X21
- UC3390X21
- UC3690X21
- UC2493X21
- UC2793X21
- UC3093X21
- UC3393X21
- UC3693X21
- UC2496X21
- UC2796X21
- UC3096X21
- UC3396X21
- UC3696X21

24" DEEP CABINETS

- UC2484X24
- UC2784X24
- UC3084X24
- UC3384X24
- UC3684X24
- UC2490X24
- UC2790X24
- UC3090X24
- UC3390X24
- UC3690X24
- UC2493X24
- UC2793X24
- UC3093X24
- UC3393X24
- UC3693X24
- UC2496X24
- UC2796X24
- UC3096X24
- UC3396X24
- UC3696X24



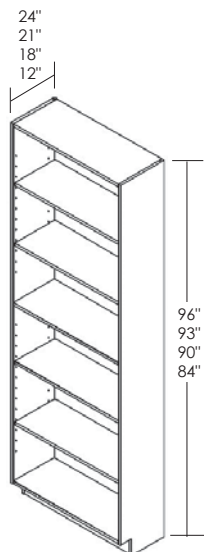
TOE BOX PLATFORM

- For use with 93"H and 96"H Tall Cabinets (4"H)
- When installed the cabinet will overhang the platform 1/16" on each side

	W Width	D Depth	H Height		W Width	D Depth	H Height		W Width	D Depth	H Height
TBOX1212	11-7/8"	9"	4"	TBOX2112	20-7/8"	9"	4"	TBOX3012	29-7/8"	9"	4"
TBOX1218	11-7/8"	15"	4"	TBOX2118	20-7/8"	15"	4"	TBOX3018	29-7/8"	15"	4"
TBOX1221	11-7/8"	18"	4"	TBOX2121	20-7/8"	18"	4"	TBOX3021	29-7/8"	18"	4"
TBOX1224	11-7/8"	21"	4"	TBOX2124	20-7/8"	21"	4"	TBOX3024	29-7/8"	21"	4"
TBOX1512	14-7/8"	9"	4"	TBOX2412	23-7/8"	9"	4"	TBOX3312	32-7/8"	9"	4"
TBOX1518	14-7/8"	15"	4"	TBOX2418	23-7/8"	15"	4"	TBOX3318	32-7/8"	15"	4"
TBOX1521	14-7/8"	18"	4"	TBOX2421	23-7/8"	18"	4"	TBOX3321	32-7/8"	18"	4"
TBOX1524	14-7/8"	21"	4"	TBOX2424	23-7/8"	21"	4"	TBOX3324	32-7/8"	21"	4"
TBOX1812	17-7/8"	9"	4"	TBOX2712	26-7/8"	9"	4"	TBOX3612	35-7/8"	9"	4"
TBOX1818	17-7/8"	15"	4"	TBOX2718	26-7/8"	15"	4"	TBOX3618	35-7/8"	15"	4"
TBOX1821	17-7/8"	18"	4"	TBOX2721	26-7/8"	18"	4"	TBOX3621	35-7/8"	18"	4"
TBOX1824	17-7/8"	21"	4"	TBOX2724	26-7/8"	21"	4"	TBOX3624	35-7/8"	21"	4"

TALL CABINETRY

Toe Kick Height: 4".



TALL BOOKSHELF

- Comes with two adjustable shelves in lower section, one fixed shelf in the middle, and two adjustable shelves in the upper section.
- Comes with matching interior finish.
- **93" and 96" tall cabinets must also order Toe Box Platform (TBOX_____).** This design will aid when installing in low ceiling heights. Additional material may be needed to cover the seam between the toekick platform and the end panel.

12" DEEP CABINETS

TBS1284X12
TBS1584X12
TBS1884X12
TBS2184X12
TBS2484X12
TBS2784X12
TBS3084X12
TBS3384X12
TBS3684X12

TBS1290X12
TBS1590X12
TBS1890X12
TBS2190X12
TBS2490X12
TBS2790X12
TBS3090X12
TBS3390X12
TBS3690X12

TBS1293X12
TBS1593X12
TBS1893X12
TBS2193X12
TBS2493X12
TBS2793X12
TBS3093X12
TBS3393X12
TBS3693X12

TBS1296X12
TBS1596X12
TBS1896X12
TBS2196X12
TBS2496X12
TBS2796X12
TBS3096X12
TBS3396X12
TBS3696X12

18" DEEP CABINETS

TBS1284X18
TBS1584X18
TBS1884X18
TBS2184X18
TBS2484X18
TBS2784X18
TBS3084X18
TBS3384X18
TBS3684X18

TBS1290X18
TBS1590X18
TBS1890X18
TBS2190X18
TBS2490X18
TBS2790X18
TBS3090X18
TBS3390X18
TBS3690X18

TBS1293X18
TBS1593X18
TBS1893X18
TBS2193X18
TBS2493X18
TBS2793X18
TBS3093X18
TBS3393X18
TBS3693X18

TBS1296X18
TBS1596X18
TBS1896X18
TBS2196X18
TBS2496X18
TBS2796X18
TBS3096X18
TBS3396X18
TBS3696X18

21" DEEP CABINETS

TBS1284X21
TBS1584X21
TBS1884X21
TBS2184X21
TBS2484X21
TBS2784X21
TBS3084X21
TBS3384X21
TBS3684X21

TBS1290X21
TBS1590X21
TBS1890X21
TBS2190X21
TBS2490X21
TBS2790X21
TBS3090X21
TBS3390X21
TBS3690X21

TBS1293X21
TBS1593X21
TBS1893X21
TBS2193X21
TBS2493X21
TBS2793X21
TBS3093X21
TBS3393X21
TBS3693X21

TBS1296X21
TBS1596X21
TBS1896X21
TBS2196X21
TBS2496X21
TBS2796X21
TBS3096X21
TBS3396X21
TBS3696X21

24" DEEP CABINETS

TBS1284X24
TBS1584X24
TBS1884X24
TBS2184X24
TBS2484X24
TBS2784X24
TBS3084X24
TBS3384X24
TBS3684X24

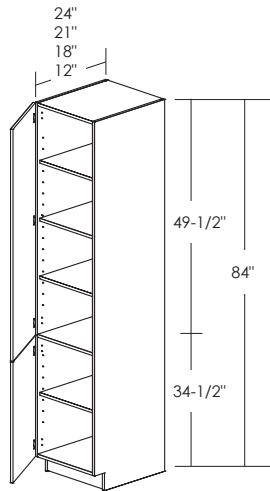
TBS1290X24
TBS1590X24
TBS1890X24
TBS2190X24
TBS2490X24
TBS2790X24
TBS3090X24
TBS3390X24
TBS3690X24

TBS1293X24
TBS1593X24
TBS1893X24
TBS2193X24
TBS2493X24
TBS2793X24
TBS3093X24
TBS3393X24
TBS3693X24

TBS1296X24
TBS1596X24
TBS1896X24
TBS2196X24
TBS2496X24
TBS2796X24
TBS3096X24
TBS3396X24
TBS3696X24

TALL CABINETRY

Toe Kick Height: 4".



LINEN CABINET WITH SINGLE DOORS

- Three hinges per door on upper door, two hinges per door on bottom door
- Specify L or R door hinging
- Comes with three full depth adjustable shelves in upper section and one full depth adjustable shelf in lower section
- Has one fixed shelf between the doors
- Bottom door is same height as a full height kitchen base
- Can be used with 34-1/2 high vanity cabinets

12" DEEP CABINETS

LC1284X12 L or R
 LC1584X12 L or R
 LC1884X12 L or R
 LC2184X12 L or R

18" DEEP CABINETS

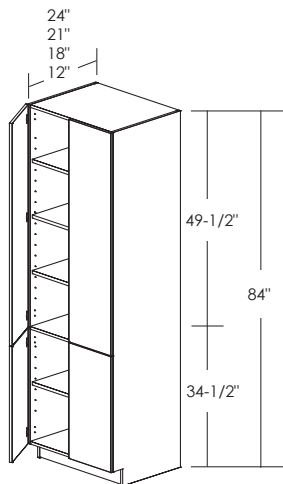
LC1284X18 L or R
 LC1584X18 L or R
 LC1884X18 L or R
 LC2184X18 L or R

21" DEEP CABINETS

LC1284X21 L or R
 LC1584X21 L or R
 LC1884X21 L or R
 LC2184X21 L or R

24" DEEP CABINETS

LC1284X24 L or R
 LC1584X24 L or R
 LC1884X24 L or R
 LC2184X24 L or R



LINEN CABINET WITH DOUBLE DOORS

- Three hinges per door on upper doors, two hinges per door on bottom doors
- Comes with three full depth adjustable shelves in upper section and one full depth adjustable shelf in lower section
- Has one fixed shelf between the doors
- Two doors on top and bottom sections
- Bottom door is same height as a full height kitchen base
- Can be used with 34-1/2 high vanity cabinets

12" DEEP CABINETS

LC2484X12
 LC2784X12
 LC3084X12
 LC3384X12
 LC3684X12

18" DEEP CABINETS

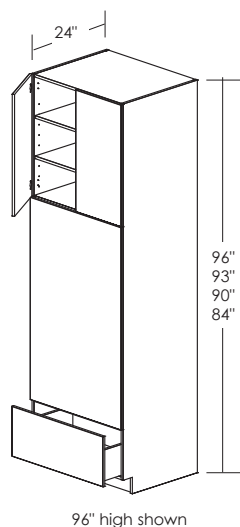
LC2484X18
 LC2784X18
 LC3084X18
 LC3384X18
 LC3684X18

21" DEEP CABINETS

LC2484X21
 LC2784X21
 LC3084X21
 LC3384X21
 LC3684X21

24" DEEP CABINETS

LC2484X24
 LC2784X24
 LC3084X24
 LC3384X24
 LC3684X24



DOUBLE OVEN CABINET WITH SINGLE DRAWER

- Two hinges per door on upper doors
- One drawer on bottom
- 96" high has two adjustable shelves. 84" and 90" high have one adjustable shelf.
- **93" and 96" tall cabinets must also order Toe Box Platform (TBOX___)**. This design will aid when installing in low ceiling heights. Additional material may be needed to cover the seam between the toekick platform and the end panel.
- Fixed center bottom
- Refer to page G8 for cut out instructions

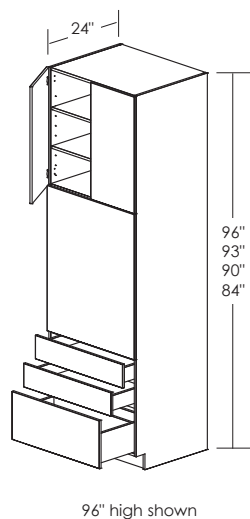
24" DEEP CABINETS

OVD2784X24
OVD3084X24
OVD3384X24

OVD2790X24
OVD3090X24
OVD3390X24

OVD2793X24
OVD3093X24
OVD3393X24

OVD2796X24
OVD3096X24
OVD3396X24



SINGLE OVEN CABINET WITH THREE DRAWERS

- Two hinges per door on upper doors
- Three drawers on bottom
- 96" high has two adjustable shelves. 84" and 90" high have one adjustable shelf.
- **93" and 96" tall cabinets must also order Toe Box Platform (TBOX___)**. This design will aid when installing in low ceiling heights. Additional material may be needed to cover the seam between the toekick platform and the end panel.
- Fixed center bottom
- Refer to page G8 for cut out instructions

24" DEEP CABINETS

OVS2784X24
OVS3084X24
OVS3384X24

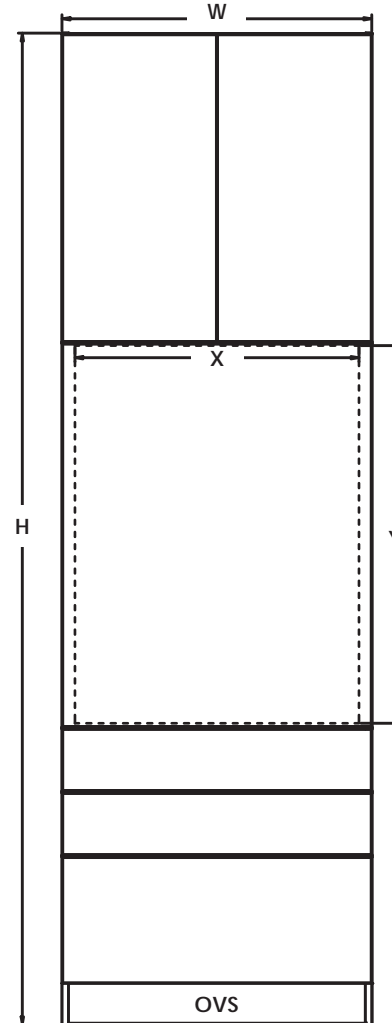
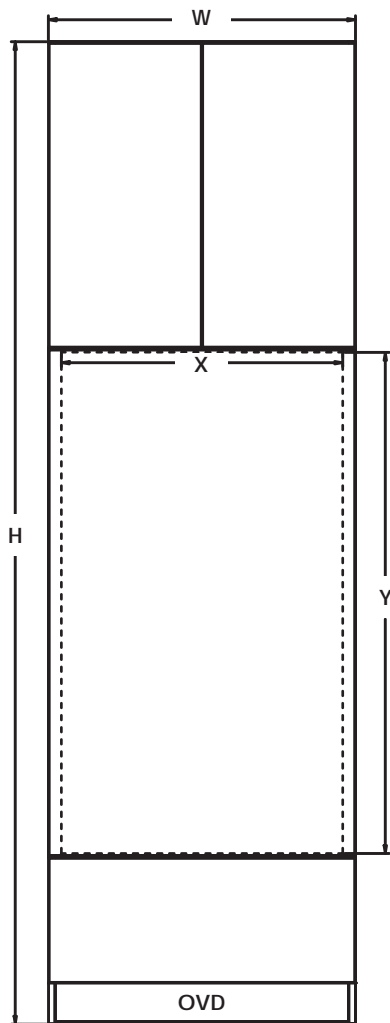
OVS2790X24
OVS3090X24
OVS3390X24

OVS2793X24
OVS3093X24
OVS3393X24

OVS2796X24
OVS3096X24
OVS3396X24

CUT OUT INSTRUCTIONS FOR OVEN CABINETS

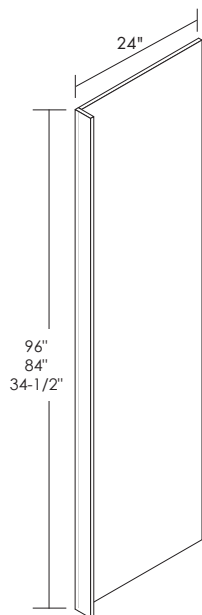
Toe Kick Height: 4".



MODEL	W	H	MAXIMUM CUT OUT DIMENSIONS	
			X	Y
OVD2784	27"	84"	24.5"	49.0"
OVD2790	27"	90"	24.5"	49.0"
OVD2796	27"	96"	24.5"	49.0"
OVD3084	30"	84"	27.5"	49.0"
OVD3090	30"	90"	27.5"	49.0"
OVD3096	30"	96"	27.5"	49.0"
OVD3384	33"	84"	30.5"	49.0"
OVD3390	33"	90"	30.5"	49.0"
OVD3396	33"	96"	30.5"	49.0"

MODEL	W	H	MAXIMUM CUT OUT DIMENSIONS	
			X	Y
OVS2784	27"	84"	24.5"	36.5"
OVS2790	27"	90"	24.5"	36.5"
OVS2796	27"	96"	24.5"	36.5"
OVS3084	30"	84"	27.5"	36.5"
OVS3090	30"	90"	27.5"	36.5"
OVS3096	30"	96"	27.5"	36.5"
OVS3384	33"	84"	30.5"	36.5"
OVS3390	33"	90"	30.5"	36.5"
OVS3396	33"	96"	30.5"	36.5"

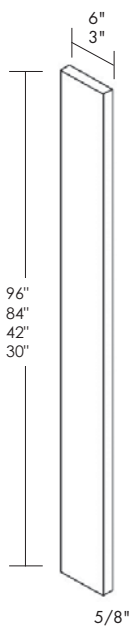
EURO ACCESSORIES



RETURN PANELS

- Filler finished on front face and on two long edges
- End panel finished on both faces
- Vertical grain only

	5/8" Return w/ 5/8" Laminate Filler	Actual Size
Base 3" Front DW End Panel	BRP3L	3"W x 34-1/2"H x 24"D
Base 6" Front DW End Panel	BRP6L	6"W x 34-1/2"H x 24"D
84" Tall Base Depth 3" Front	TRP384L	3"W x 84"H x 24"D
96" Tall Base Depth 3" Front	TRP396L	3"W x 96"H x 24"D



FILLERS

- Fillers finished on front face
- 30" and 42" high fillers are edgebanded on the top and bottom edges
- Vertical grain only

	5/8" Laminate	Actual Size
30" High	F330L	3"W x 30"H
	F630L	6"W x 30"H
42" High	F342L	3"W x 42"H
	F642L	6"W x 42"H
84" High	F384L	3"W x 84"H
	F684L	6"W x 84"H
96" High	F396L	3"W x 96"H
	F696L	6"W x 96"H
Range Front	F4.530L	4-1/2"W x 30"H
	F430L	4"W x 30"H
Standard Base Height	F330.5L	3"W x 30-1/2"H
	F630.5L	6"W x 30-1/2"H
Universal Base Height	F328.5L	3"W x 28-1/2"H
	F628.5L	6"W x 28-1/2"H
Vanity Base Height	F327.5L	3"W x 27-1/2"H
	F627.5L	6"W x 27-1/2"H
Desk Base Height	F324.5L	3"W x 24-1/2"H
	F627.5L	6"W x 24-1/2"H

EURO ACCESSORIES

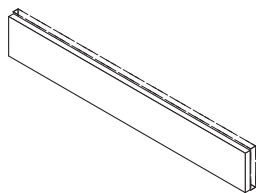


OVERLAY FRONTS

- Overlays are shipped loose for field installation
- Filler or Return Panel must be ordered separately
- Overlays are finished on all sides
- Grain direction matches door grain direction
- OFT's will ship as two pieces when a horizontal grain is required
- Overlay fronts are made from door material

Item	Size	
	Width	Height
OFT384	2-7/8"	83-13/16"
OFT390	2-7/8"	89-13/16"
OFT393	2-7/8"	92-13/16"
OFT396	2-7/8"	95-13/16"
OFT684	5-7/8"	83-13/16"
OFT690	5-7/8"	89-13/16"
OFT693	5-7/8"	92-13/16"
OFT696	5-7/8"	95-13/16"
OFB334.5	2-7/8"	34-5/16"
OFB332.5	2-7/8"	32-5/16"
OFB331.5	2-7/8"	31-5/16"
OFB330.5	2-7/8"	30-5/16"
OFB328.5	2-7/8"	28-5/16"
OFB327.5	2-7/8"	27-5/16"
OFB324.5	2-7/8"	24-5/16"
OFB634.5	5-7/8"	34-5/16"
OFB632.5	5-7/8"	32-5/16"
OFB631.5	5-7/8"	31-5/16"
OFB630.5	5-7/8"	30-5/16"
OFB628.5	5-7/8"	28-5/16"
OFB627.5	5-7/8"	27-5/16"
OFB624.5	5-7/8"	24-5/16"
OFW312	2-7/8"	11-13/16"
OFW315	2-7/8"	14-13/16"
OFW318	2-7/8"	17-13/16"
OFW321	2-7/8"	20-13/16"
OFW324	2-7/8"	23-13/16"
OFW327	2-7/8"	26-13/16"
OFW330	2-7/8"	29-13/16"
OFW333	2-7/8"	32-13/16"
OFW336	2-7/8"	35-13/16"
OFW339	2-7/8"	38-13/16"
OFW342	2-7/8"	41-13/16"
OFW612	5-7/8"	11-13/16"
OFW615	5-7/8"	14-13/16"
OFW618	5-7/8"	17-13/16"
OFW621	5-7/8"	20-13/16"
OFW624	5-7/8"	23-13/16"
OFW627	5-7/8"	26-13/16"
OFW630	5-7/8"	29-13/16"
OFW633	5-7/8"	32-13/16"
OFW636	5-7/8"	35-13/16"
OFW639	5-7/8"	38-13/16"
OFW642	5-7/8"	41-13/16"

EURO ACCESSORIES



RANGE FRONT OVERLAYS

- Overlays are shipped loose for field installation
- Filler or Return Panel must be ordered separately
- Overlays are finished on all sides
- Grain direction matches door grain direction

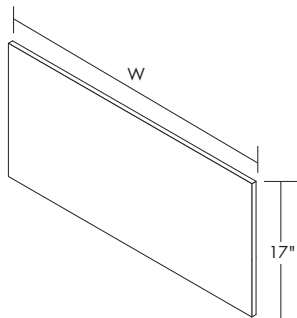
	Width	Height
OFR30	29-7/8"	4-5/16"



WALL RETURN PANELS

- Fillers finished on front face and on all edges
- End panel finished on both faces, edgebanded on top and bottom edge
- Vertical grain only

5/8" Return with 5/8" Laminate Filler	Width	Size Height	Depth
WRP324-12D	3"	24"	12"
WRP330-12D	3"	30"	12"
WRP336-12D	3"	36"	12"
WRP342-12D	3"	42"	12"
WRP624-12D	6"	24"	12"
WRP630-12D	6"	30"	12"
WRP636-12D	6"	36"	12"
WRP642-12D	6"	42"	12"
WRP324-15D	3"	24"	15"
WRP330-15D	3"	30"	15"
WRP336-15D	3"	36"	15"
WRP342-15D	3"	42"	15"
WRP624-15D	6"	24"	15"
WRP630-15D	6"	30"	15"
WRP636-15D	6"	36"	15"
WRP642-15D	6"	42"	15"

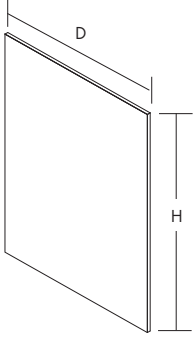


BAFFLES

- Replacement Baffles for UFAS cabinets
- Finished on two faces and all four edges
- Horizontal grain only
- 5/8" thick

	Width	Height
BAUF30	29-7/8"	17"
BAUF33	32-7/8"	17"
BAUF36	35-7/8"	17"
BAUF39	38-7/8"	17"
BAUF42	41-7/8"	17"
BAUF45	44-7/8"	17"
BAUF48	47-7/8"	17"

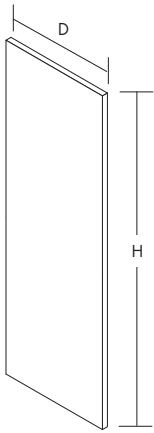
EURO ACCESSORIES



END PANEL BASE

- Finished on two faces and one long edge
- Vertical grain only
- 5/8" thick

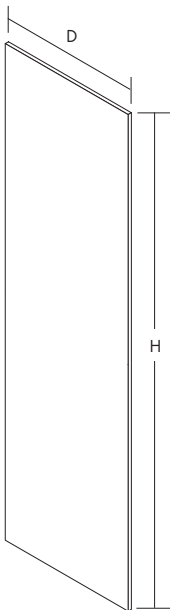
	H	D
EPB18	34-1/2"	18"
EPB21	34-1/2"	21"
EPB24	34-1/2"	24"



END PANEL WALL

- Finished on two faces, top and bottom edges and one long edge
- Vertical grain only
- 5/8" thick

	H	D
EPW1224	24"	12"
EPW1230	30"	12"
EPW1236	36"	12"
EPW1242	42"	12"
EPW1524	24"	15"
EPW1530	30"	15"
EPW1536	36"	15"
EPW1542	42"	15"



END PANEL TALL

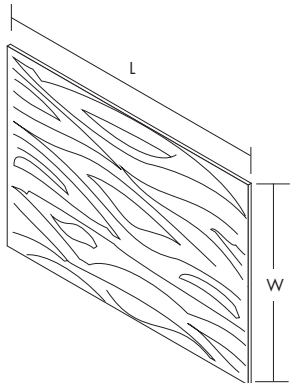
- Finished on two faces and one long edge
- Vertical grain only
- 5/8" thick

	H	D
EPT96	96"	24"
EPT93	93"	24"
EPT90	90"	24"
EPT84	84"	24"

EURO ACCESSORIES

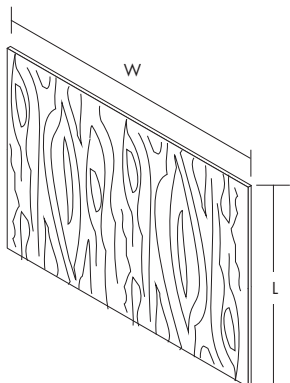
ISLAND BACK PANELS

- Finished on two faces and all four edges
- Width = Across Grain
- Length = Along Grain
- 5/8" thick



HORIZONTAL GRAIN

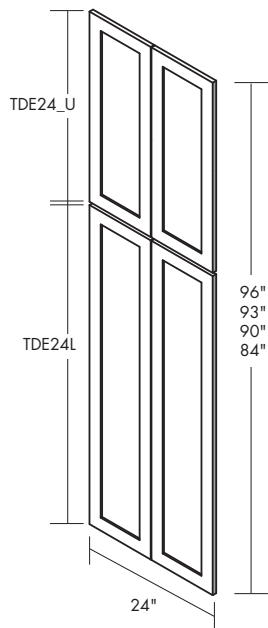
	W	L
IBP34.5-96	34-1/2"	96"
IBP34.5-93	34-1/2"	93"
IBP34.5-90	34-1/2"	90"
IBP34.5-84	34-1/2"	84"
IBP34.5-54	34-1/2"	54"
IBP34.5-42	34-1/2"	42"



VERTICAL GRAIN

	W	L
IBP30-34.5	30"	34-1/2"
IBP33-34.5	33"	34-1/2"
IBP36-34.5	36"	34-1/2"
IBP39-34.5	39"	34-1/2"
IBP42-34.5	42"	34-1/2"
IBP45-34.5	45"	34-1/2"

EURO ACCESSORIES

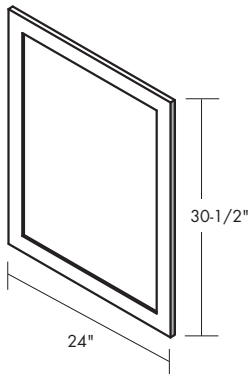


TALL DECORATIVE END PANELS

- TDE24_U and TDE24L must be ordered together
- TDE's are decorative doors for the sides of 24" deep pantry cabinets
- Shipped loose for field installation
- TDE24_U has two cabinet doors used for decorative ends on the upper section of tall cabinets
- TDE24L has two cabinet doors used for decorative ends on the lower section of tall cabinets

UPPER DOORS	W	L
TDE2496U	302mm	1061.8mm
TDE2493U	302mm	985.6mm
TDE2490U	302mm	909.4mm
TDE2484U	302mm	757mm

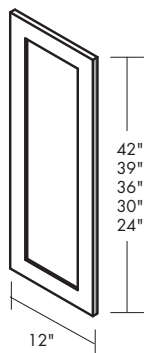
LOWER DOOR	W	L
TDE24L	302mm	1268.1mm



BASE DECORATIVE END PANEL

- BDE is a decorative door for the side of 24" deep base cabinets
- Shipped loose for field installation

	W	L
BDE24	606.8mm	769.8mm

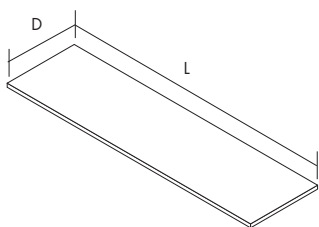


WALL DECORATIVE END PANELS

- WDE are decorative doors for the sides of 12" deep wall cabinets
- Shipped loose for field installation

	W	L
WDE42	302mm	1061.8mm
WDE39	302mm	985.6mm
WDE36	302mm	909.4mm
WDE30	302mm	757mm
WDE24	302mm	604.6mm

EURO ACCESSORIES

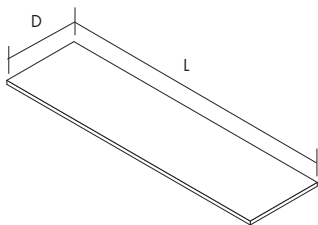


ADJUSTABLE SHELVES

- Interior color on two faces and one long edge
- 5/8" and 3/4" thick shelf strips

	L	D	Thickness
SHA5821X12	19-7/16"	10-5/8"	5/8"
SHA5824X12	22-7/16"	10-5/8"	5/8"
SHA5827X12	25-7/16"	10-5/8"	5/8"
SHA5830X12	28-7/16"	10-5/8"	5/8"
SHA5833X12	31-7/16"	10-5/8"	5/8"
SHA5836X12	34-7/16"	10-5/8"	5/8"
SHA5821X24	19-7/16"	22-5/8"	5/8"
SHA5824X24	22-7/16"	22-5/8"	5/8"
SHA5827X24	25-7/16"	22-5/8"	5/8"
SHA5830X24	28-7/16"	22-5/8"	5/8"
SHA5833X24	31-7/16"	22-5/8"	5/8"
SHA5836X24	34-7/16"	22-5/8"	5/8"
SHA3421X12	19-7/16"	10-5/8"	3/4"
SHA3424X12	22-7/16"	10-5/8"	3/4"
SHA3427X12	25-7/16"	10-5/8"	3/4"
SHA3430X12	28-7/16"	10-5/8"	3/4"
SHA3433X12	31-7/16"	10-5/8"	3/4"
SHA3436X12	34-7/16"	10-5/8"	3/4"
SHA3421X24	19-7/16"	22-5/8"	3/4"
SHA3424X24	22-7/16"	22-5/8"	3/4"
SHA3427X24	25-7/16"	22-5/8"	3/4"
SHA3430X24	28-7/16"	22-5/8"	3/4"
SHA3433X24	31-7/16"	22-5/8"	3/4"
SHA3436X24	34-7/16"	22-5/8"	3/4"

EURO ACCESSORIES

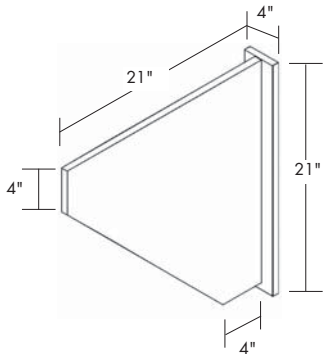


ADJUSTABLE SHELVES

- Exterior color on two faces and one long edge
- 5/8" and 3/4" thick shelf strips

5/8" thick	L	D	Thickness	3/4" thick	L	D	Thickness
SHBA5812X12	10-7/16"	10-5/8"	5/8"	SHBA3412X12	10-7/16"	10-5/8"	3/4"
SHBA5815X12	13-7/16"	10-5/8"	5/8"	SHBA3415X12	13-7/16"	10-5/8"	3/4"
SHBA5818X12	16-7/16"	10-5/8"	5/8"	SHBA3418X12	16-7/16"	10-5/8"	3/4"
SHBA5821X12	19-7/16"	10-5/8"	5/8"	SHBA3421X12	19-7/16"	10-5/8"	3/4"
SHBA5824X12	22-7/16"	10-5/8"	5/8"	SHBA3424X12	22-7/16"	10-5/8"	3/4"
SHBA5827X12	25-7/16"	10-5/8"	5/8"	SHBA3427X12	25-7/16"	10-5/8"	3/4"
SHBA5830X12	28-7/16"	10-5/8"	5/8"	SHBA3430X12	28-7/16"	10-5/8"	3/4"
SHBA5833X12	31-7/16"	10-5/8"	5/8"	SHBA3433X12	31-7/16"	10-5/8"	3/4"
SHBA5836X12	34-7/16"	10-5/8"	5/8"	SHBA3436X12	34-7/16"	10-5/8"	3/4"
SHBA5812X18	10-7/16"	16-5/8"	5/8"	SHBA3412X18	10-7/16"	16-5/8"	3/4"
SHBA5815X18	13-7/16"	16-5/8"	5/8"	SHBA3415X18	13-7/16"	16-5/8"	3/4"
SHBA5818X18	16-7/16"	16-5/8"	5/8"	SHBA3418X18	16-7/16"	16-5/8"	3/4"
SHBA5821X18	19-7/16"	16-5/8"	5/8"	SHBA3421X18	19-7/16"	16-5/8"	3/4"
SHBA5824X18	22-7/16"	16-5/8"	5/8"	SHBA3424X18	22-7/16"	16-5/8"	3/4"
SHBA5827X18	25-7/16"	16-5/8"	5/8"	SHBA3427X18	25-7/16"	16-5/8"	3/4"
SHBA5830X18	28-7/16"	16-5/8"	5/8"	SHBA3430X18	28-7/16"	16-5/8"	3/4"
SHBA5833X18	31-7/16"	16-5/8"	5/8"	SHBA3433X18	31-7/16"	16-5/8"	3/4"
SHBA5836X18	34-7/16"	16-5/8"	5/8"	SHBA3436X18	34-7/16"	16-5/8"	3/4"
SHBA5812X21	10-7/16"	19-5/8"	5/8"	SHBA3412X21	10-7/16"	19-5/8"	3/4"
SHBA5815X21	13-7/16"	19-5/8"	5/8"	SHBA3415X21	13-7/16"	19-5/8"	3/4"
SHBA5818X21	16-7/16"	19-5/8"	5/8"	SHBA3418X21	16-7/16"	19-5/8"	3/4"
SHBA5821X21	19-7/16"	19-5/8"	5/8"	SHBA3421X21	19-7/16"	19-5/8"	3/4"
SHBA5824X21	22-7/16"	19-5/8"	5/8"	SHBA3424X21	22-7/16"	19-5/8"	3/4"
SHBA5827X21	25-7/16"	19-5/8"	5/8"	SHBA3427X21	25-7/16"	19-5/8"	3/4"
SHBA5830X21	28-7/16"	19-5/8"	5/8"	SHBA3430X21	28-7/16"	19-5/8"	3/4"
SHBA5833X21	31-7/16"	19-5/8"	5/8"	SHBA3433X21	31-7/16"	19-5/8"	3/4"
SHBA5836X21	34-7/16"	19-5/8"	5/8"	SHBA3436X21	34-7/16"	19-5/8"	3/4"
SHBA5812X24	10-7/16"	22-5/8"	5/8"	SHBA3412X24	10-7/16"	22-5/8"	3/4"
SHBA5815X24	13-7/16"	22-5/8"	5/8"	SHBA3415X24	13-7/16"	22-5/8"	3/4"
SHBA5818X24	16-7/16"	22-5/8"	5/8"	SHBA3418X24	16-7/16"	22-5/8"	3/4"
SHBA5821X24	19-7/16"	22-5/8"	5/8"	SHBA3421X24	19-7/16"	22-5/8"	3/4"
SHBA5824X24	22-7/16"	22-5/8"	5/8"	SHBA3424X24	22-7/16"	22-5/8"	3/4"
SHBA5827X24	25-7/16"	22-5/8"	5/8"	SHBA3427X24	25-7/16"	22-5/8"	3/4"
SHBA5830X24	28-7/16"	22-5/8"	5/8"	SHBA3430X24	28-7/16"	22-5/8"	3/4"
SHBA5833X24	31-7/16"	22-5/8"	5/8"	SHBA3433X24	31-7/16"	22-5/8"	3/4"
SHBA5836X24	34-7/16"	22-5/8"	5/8"	SHBA3436X24	34-7/16"	22-5/8"	3/4"

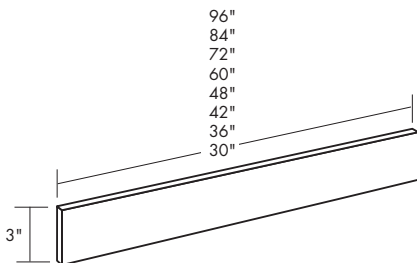
EURO ACCESSORIES



ANGLE WALL SUPPORT

- 5/8" thick laminate composite
- Edge banded on front edge

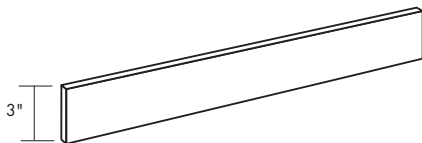
AWS



SKIRTS

- Finished on one face and one long edge

	5/8" Laminate	Actual Size
3" Wide Skirts	SKT30L	3"W x 30"L
	SKT36L	3"W x 36"L
	SKT42L	3"W x 42"L
	SKT48L	3"W x 48"L
	SKT60L	3"W x 60"L
	SKT72L	3"W x 72"L
	SKT84L	3"W x 84"L
	SKT96L	3"W x 96"L

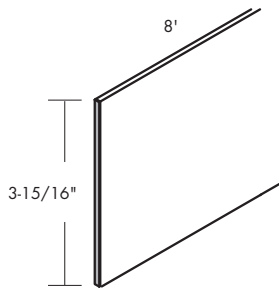


VALANCE

- Finished on two faces and two long edges. One short edge is finished
- Field trimmable
- 5/8" thick
- Horizontal grain only

STVAL30X3
STVAL36X3
STVAL48X3

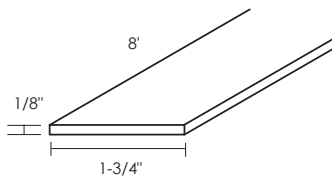
EURO ACCESSORIES



TOE KICK OVERLAY

- Color matching laminate on one side
- 8 ft. length
- 1/8" thick

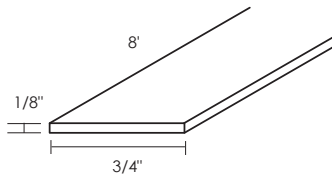
TK (3-15/16" x 96")



SCRIBE MOLDING

- Solid wood painted or stained to match cabinet exterior
- Sold in 8 ft. lengths

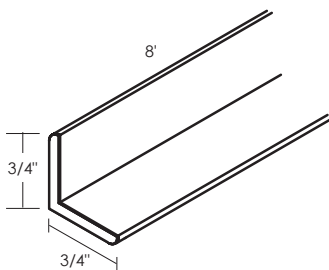
SCM175



FLAT MOLDING

- Solid wood painted or stained to match cabinet exterior
- Sold in 8 ft. lengths

FLATM75



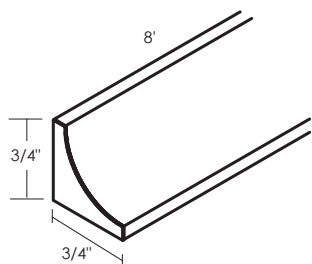
OUTSIDE MOLDING

- Solid wood painted or stained to match cabinet exterior
- Sold in 8 ft. lengths

OCM



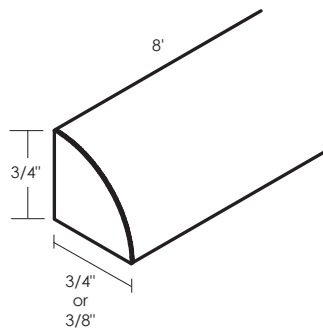
EURO ACCESSORIES



INSIDE MOLDING

- Solid wood painted or stained to match cabinet exterior
- Sold in 8 ft. lengths

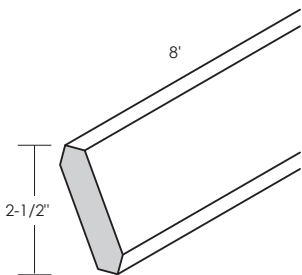
ICM



SHOE MOLDING

- Solid wood painted or stained to match cabinet exterior
- Sold in 8 ft. lengths

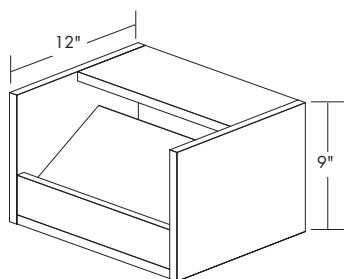
SHOEML (3/4" x 3/4" x 8') – Large
SHOEMS (3/4" x 3/8" x 8') – Small



SHAKER CROWN MOLDING

- Solid wood painted or stained to match cabinet exterior
- Sold in 8 ft. lengths

SHAKERM



PDA ORGANIZER

- Designed for use under cabinet or on counter
- Matching interior

PDA1509
PDA1809
PDA2109
PDA2409

EURO ACCESSORIES

PUTTY STICKS



PAINT	RTF	TRU TOUCH	LAMINATE
PS-ATLANTIC GREY PS-BALTIC BEIGE PS-MID GREY PS-TERRA GREY PS-WHITE	PS-AMBASSADOR OAK PS-BALTIC BEIGE PS-CHOCOLATE PECAN PS-DOVE GREY PS-DRIFTWOOD PS-EURO WENGE PS-JAVA PS-LINEA BLACK PS-LINEA WHITE PS-OLIVEWOOD PS-SMOOTH WHITE PS-SNOW WHITE GLOSS PS-STEEL GREY PS-TERRA GREY HIGH GLOSS PS-VINTAGE GREY PS-WESTERN WHEAT PS-WOOD GRAIN WHITE	PS-CHESTNUT PS-ESPRESSO PS-GREY CASHMERE PS-OBSIDIAN ASH PS-PECAN PS-SPICE PS-WHITE TUSK	PS-GREY PINE PS-LIGHT TEAK PS-MIDNIGHT TEAK PS-TEXAS CYPRESS PS-WEATHERED OAK PS-WHITE



STAIN PENS

PAINT	RTF	TRU TOUCH	LAMINATE
SP-ATLANTIC GREY SP-BALTIC BEIGE SP-MID GREY SP-TERRA GREY SP-WHITE	SP-AMBASSADOR OAK SP-BALTIC BEIGE SP-CHOCOLATE PECAN SP-DOVE GREY SP-DRIFTWOOD SP-EURO WENGE SP-JAVA SP-LINEA BLACK SP-LINEA WHITE SP-OLIVEWOOD SP-SMOOTH WHITE SP-SNOW WHITE GLOSS SP-STEEL GREY SP-TERRA GREY HIGH GLOSS SP-VINTAGE GREY SP-WESTERN WHEAT SP-WOOD GRAIN WHITE	SP-CHESTNUT SP-ESPRESSO SP-GREY CASHMERE SP-OBSIDIAN ASH SP-PECAN SP-SPICE SP-WHITE TUSK	SP-GREY PINE SP-LIGHT TEAK SP-MIDNIGHT TEAK SP-TEXAS CYPRESS SP-WEATHERED OAK SP-WHITE















 **Leedo**
We are building solutions.

DECORATIVE HARDWARE SPECIFICATIONS

DECORATIVE HARDWARE COLLECTIONS

	PART #	OVERALL LENGTH	DESCRIPTION	FINISH
MODERN EDGE				
	EP01-0077FB	3.78"	Modern Edge Pull Holes are 3" center-to-center	Flat Black
	EP01-0077SN	3.78"	Modern Edge Pull Holes are 3" center-to-center	Satin Nickel
	EP01-0077PC	3.78"	Modern Edge Pull Holes are 3" center-to-center	Polished Chrome
	EP01-0128FB	5.83"	Modern Edge Pull Holes are 128mm center-to-center	Flat Black
	EP01-0128SN	5.83"	Modern Edge Pull Holes are 128mm center-to-center	Satin Nickel
	EP01-0128PC	5.83"	Modern Edge Pull Holes are 128mm center-to-center	Polished Chrome
	EP01-0256PC	10.83"	Modern Edge Pull Holes are 256mm center-to-center	Polished Chrome
	EP01-0256FB	10.83"	Modern Edge Pull Holes are 256mm center-to-center	Flat Black
	EP01-0256SN	10.83"	Modern Edge Pull Holes are 256mm center-to-center	Satin Nickel
FLAT PULLS				
	BP03-0128FB	5.85"	Soft Modern Pull Holes are 128mm center-to-center	Flat Black
	BP03-0096FB	4.59"	Soft Modern Pull Holes are 96mm center-to-center	Flat Black
	BP01-0160PC	6.91"	North Dalston Pull Holes are 160mm center-to-center	Polished Chrome








DECORATIVE HARDWARE COLLECTIONS

	PART #	OVERALL LENGTH	DESCRIPTION	FINISH
FLAT PULLS continued				
	BP01-0305PC	12.61"	North Dalston Appliance Pull Holes are 12" center-to-center	Polished Chrome
	BP01-0129SS	5.30"	Plaza Pull Holes are 5-1/16" center-to-center	Stainless
	BP01-0096SS	4.07"	Plaza Pull Holes are 3-3/4" center-to-center	Stainless
	BP01-0288SN	11.90"	Copeland Pull Holes are 11-5/16" center-to-center	Satin Nickel
	HA02-0074BS	3.30"	Wire Pull Holes are 76mm center-to-center	Brushed Chrome
	BP02-0102SN	4.63"	Lombard Pull Holes are 4" center-to-center	Satin Nickel
	BP01-0089BS	3.98"	Square Pull Holes are 89mm center-to-center	Brushed Steel
	BP01-0192BS	8.03"	Square Pull Holes are 192mm center-to-center	Brushed Steel
	BP01-0293BS	12.01"	Square Pull Holes are 293mm center-to-center	Brushed Steel
	BP01-0089PS	3.98"	Square Pull Holes are 89mm center-to-center	Polished Steel
	BP01-0192PS	8.03"	Square Pull Holes are 192mm center-to-center	Polished Steel
	BP01-0293PS	12.01"	Square Pull Holes are 293mm center-to-center	Polished Steel

DECORATIVE HARDWARE COLLECTIONS

	PART #	OVERALL LENGTH	DESCRIPTION	FINISH
ROUND BAR PULLS				
	BP06-0128BCH	7.40"	Round Bar Pull Holes are 128mm center-to-center	Bronze w/Copper highlights
	BP06-0096BCH	5.32"	Round Bar Pull Holes are 96mm center-to-center	Bronze w/Copper highlights
	BP06-0128PC	7.40"	Round Bar Pull Holes are 128mm center-to-center	Polished Chrome
	BP06-0096PC	5.32"	Round Bar Pull Holes are 96mm center-to-center	Polished Chrome
	BP06-0128SS	7.40"	Round Bar Pull Holes are 128mm center-to-center	Stainless
	BP06-0096SS	5.32"	Round Bar Pull Holes are 96mm center-to-center	Stainless
	BP02-0196SN	9.53"	Round Bar Pull Holes are 196mm center-to-center	Satin Nickel
	BP02-0128SN	7.01"	Round Bar Pull Holes are 128mm center-to-center	Satin Nickel
	BP02-0096SN	5.75"	Round Bar Pull Holes are 96mm center-to-center	Satin Nickel

DECORATIVE HARDWARE COLLECTIONS

	PART #	OVERALL LENGTH	DESCRIPTION	FINISH
ARCHED PULLS				
	BP04-0129PC	7.32"	Arched Pull Holes are 5-1/16" center-to-center	Polished Chrome
	BP04-0096PC	6.06"	Arched Pull Holes are 3-3/4" center-to-center	Polished Chrome
	BP05-0096SS	4.83"	Sector Pull Holes are 3-3/4" center-to-center	Stainless
	BP05-0096SN	4.43"	Tapered Bow Pull Holes are 96mm center-to-center	Satin Nickel
	BP05-0128SN	6.04"	Tapered Bow Pull Holes are 128mm center-to-center	Satin Nickel
	BP05-0077SN	4.61"	Half Round Foot Pull Holes are 3" center-to-center	Satin Nickel
	BP05-0077BCH	4.61"	Half Round Foot Pull Holes are 3" center-to-center	Bronze w/Copper Highlights

DECORATIVE HARDWARE COLLECTIONS

	PART #	OVERALL LENGTH	DESCRIPTION	FINISH
KNOBS				
	KP03-0035FB	1.42"	Square Knob	Flat Black
	KN03-0029SN	1.15"	Webber Knob	Satin Nickel
	KN01-0023SS	.79"	Whistle Knob	Stainless
	KN01-0029-1SN	1.18"	Fulton Knob	Satin Nickel
	KN01-0032SN	1.19	Garrett Knob	Satin Nickel
	KN01-0032SC	1.19"	Garrett Knob	Satin Chrome
	KN01-0032PC	1.19"	Garrett Knob	Polished Chrome
	KN01-0035BCH	1.38"	Harmon Knob	Bronze w/Copper highlights
T-BAR KNOBS				
	KN02-0040BCH	1.57"	T-Bar Knob	Bronze w/Copper highlights
	KN02-0040PC	1.57"	T-Bar Knob	Polished Chrome
	KN02-0040SS	1.57"	T-Bar Knob	Stainless
	KN02-0048SN	1.57"	T-Bar Knob	Satin Nickel

CABINET CARE GUIDE

A soft cotton cloth dampened with warm water is usually sufficient to clean your cabinets. If more thorough cleaning is required, use one of the following cleaning solutions:

- A mixture of dish washing liquid and warm water
- A mild all-purpose cleaner. **Make sure it does not contain ammonia, silicone, or acid.**

Using the mildest cleaning solution will successfully clean your cabinets. Stronger products may damage or discolor your cabinet finish and are not recommended. After cleaning, wipe all surfaces with a clean, damp cloth. Dry immediately, using another soft, clean cloth.

SPILLS

Clean spills immediately. Prolonged exposure to spills, including food, water or other liquids, or grease spills can cause permanent discoloration or damage to your cabinet's finish.

CLEANING PRODUCTS TO AVOID

- Harsh chemicals including ammonia and bleach
- Abrasive cleaning products such as tub and sink cleaners scouring powder, scouring pads, or steel wool
- Sponges or dish clothes. They may contain particles that could scratch your cabinets, or they may contain food and oil residue
- Solvent-based or petroleum-based products such as mineral spirits, nail-polish removers or paint thinners
- Silicone-based cleaning, waxing or polishing products

REGULAR DUSTING

Use a clean, soft, lint-free cotton cloth for regular dusting. Packaged dusting sheets are not required or recommended. **Do not use pre-moistened dusting sheets or aerosol products specified for dusting.**

WAXING AND POLISHING

Waxing is not required or recommended. Over time, waxing and polishing compounds may build up on the surface of your cabinets and cause a hazy, streaky or yellowed appearance.

WARRANTY



Thank you for selecting Leedo Cabinetry. Leedo works hard to provide an excellent product at a very competitive price. We guarantee all Leedo products for a period of One (1) year from the date of the completion of project installation to be free of defects in materials and manufacturing. During this period we agree to replace, at not cost to the owner, any portion of our work that is found defective.

While Leedo guarantees all structural aspects of our products for a period of one year, the following exclusions do apply:

- Due to the naturally occurring variations in wood, we do not guarantee uniformity of color, tone or grain pattern; nor do we guarantee that stain or finish colors will be free of minor inconsistencies caused by natural variations in pigments and materials.
- Damage caused by normal wear and tear, abuse, neglect, misuse, alterations, water damage, or other environmental conditions such as exposure to extreme temperatures or humidity.
- Work done by others, including refinishing or removal of cabinets.
- Touch-ups, door and drawer adjustments, or cosmetic work.
- Color changes that may occur due to natural aging of the wood or due to exposure to either natural or artificial light.
- Discoloration or dullness in the finish or wood stain that may occur after exposure to ultraviolet light.

Leedo Manufacturing will make the final determination on any warranty-related items. Should a defect in materials or workmanship occur, excluding those noted above, Leedo maintains the right to repair or replace the product at our discretion.

PRODUCT DISCLOSURE

Characteristics of Painted Finishes on Wood Cabinetry



Leedo works hard to provide an excellent product at a very competitive price. We select the best cabinet material suitable for the manufacturing of a finished cabinet that meets our customers needs and KCMA testing. Our machining, assembly, and finishing procedures operate together to provide the highest quality of performance and appearance that our customers require to match the demanding lifestyle of their end users. Our finishing materials and application methods are consistently tested / inspected for quality and consistency using the latest technology.

Wood of all species is hygroscopic, meaning that it is subject to the humidity and temperature of its environment. It will lose or gain moisture and consequently shrink or swell depending on the environment. Even protective coatings cannot prevent this movement; they merely impede the process.

When the final product is painted, the solid colored paints and glazes mask the joint on assembled wood components. Due to the naturally occurring variations in wood that are beyond Leedo's control, we do not guarantee that the connecting joints will remain hidden by the paint. The wood components shrink or swell accordingly, sometimes resulting in the joints becoming visible in the form of small hairline cracks where the components are fitted during the assembly process. This is a natural occurrence that can be minimized by maintaining a stable environment. The strength and integrity of the door is not compromised by these hairline cracks. Because this is a natural occurrence, Leedo cannot accept responsibility for the inherent properties of wood and wood products, specifically hairline cracks that occur when environmental changes occur.

CUSTOMER ACKNOWLEDGEMENT

We want to make certain you are aware of the natural characteristics of wood and their impact on our cabinets as described above. This does not affect Leedo's One (1) Year Warranty which guarantees all structural aspects of our products, for a list of exclusions please visit our document page on Leedo.com. Please indicate your agreement and acceptance with these natural characteristics by signing below.

CUSTOMER NAME (please print):

DATE:

CUSTOMER SIGNATURE:

TITLE:

INDEX

SKU	ITEM	FRAMED PAGE #	EURO PAGE#	SKU	ITEM	FRAMED PAGE #	EURO PAGE#
ACB	Accessible Base Cabinets	B13	-	CVDB	Vanity Combo Single Door with Two Drawer Base Cabinets	B32	-
ACSB	Accessible Sink Base Cabinets	B13	F11	CVDB_BD	Vanity Combo Butt Door Sink with Six Drawers.....	B34	-
AWS	Angle Wall Support.....	D3	H9	CVDB_BD	Vanity Combo Butt Door with Two Drawer Base Cabinets	B32	-
B	Base Cabinets	B1	F1	CVDB_BDH	Vanity Combo Butt Door Sink with Eight Drawers.....	B34	-
B_BD	Base Butt Door Cabinets.....	B1	-	CVDB_BDH	Vanity Combo Butt Door with Three Drawer Base Cabinets	B33	-
B_BDFH	Base Full Height Butt Door Cabinets	B2	-	CVDB_H	Vanity Combo Single Door with Three Drawer Base Cabinets.....	B32	-
B_BDROS	Base Butt Door with Roll Out Shelves Cabinets	B8	-	CVDSDB	Vanity Combo Double Sink Base with Three Drawers.....	B34	-
B_FH	Base Full Height Door	B2	F2	CVSB	Vanity Combo Double Door Sink Base Cabinets.....	B31	F29
B_FHWB	Base Full Height Door Wastebasket Pull Out Cabinets	B4	F4	CVSDB	Vanity Combo Double Door Sink with Three Drawer Base Cabinets	B33	-
B_RB	Base Cabinets with Removable Bottoms.....	-	F11	CVSDB_H	Vanity Combo Double Door Sink with Four Drawer Base Cabinets.....	B33	-
B_ROS	Base with Roll Out Shelves.....	B7	F7	CW	Wall Corner Cabinets.....	A8	E6
B_WB	Base Wastebasket Pull Out Cabinets	B4	-	CW_RC	Wall Corner with Recessed Bottom Cabinets.....	A13	-
B_WRL	Base Lattice Wine Rack.....	B3	-				
BAUF	Baffles.....	-	H3	DB	Drawer Base Cabinets	B3	F3
BB	Base Blind Cabinets.....	B5	-	DBR	Drawer Base Range	B9	-
BB_FH	Base Blind Full Height Door Cabinets	B5	F5	DKB	Desk Base Cabinets.....	B36	F33
BBS	Base Bookshelf	B3	F3	DKB_BD	Desk Butt Door Base Cabinets	B36	-
BDE	Base Decorative End Panel ...	D5	H6	DKB_FH	Desk Full Height Door Base Cabinets	B37	F34
BER	Base Easy Reach Cabinets	B6	F6	DKBBS	Desk Base Bookshelf	B38	F35
BLS	Base Lazy Susan Cabinets	B6	F6	DKDB	Desk Drawer Base Cabinets...	B38	F35
BMC	Base Microwave	B9	-	DKFD	Desk File Drawer Base Cabinet.....	B38	F35
BOC	Base Oven Cabinet.....	-	F8	DS(T)	Drawer Skirts	B15	F13
BOD	Base Oven Cabinet with Drawer	-	F8	DSB_BD	Sink Base Deep Butt Door Cabinets.....	B11	-
BRP	Return Panels	D2	H1				
BW	Wall Blind Cabinets.....	A9	E7	EP	Panels.....	D1	H4
BW_RC	Wall Blind with Recessed Bottom Cabinets.....	A13	-	EPT	End Panel Tall	-	H4
BWR	Base Wine Rack.....	-	F3	EPW	End Panel Wide	-	H4
CLDB	Closet Drawer Base	-	F36				
CROWN	Crown Molding	D10	-				
CS	Counter Support Corbel.....	D3	-				
CSB	Combo Sink Base.....	-	F10				
CVB	Vanity Combo Three Door Sink Base Cabinets	B31	-				
CVB_BD	Vanity Combo Four Door Sink Base Cabinets	B31	-				

INDEX

SKU	ITEM	FRAMED PAGE #	EURO PAGE#	SKU	ITEM	FRAMED PAGE #	EURO PAGE#
F	Fillers	D3	H1	HCBWR	Universal Access Base Wine Cabinet	-	F16
FBT	Furniture Bedside Table	-	F36	HCCSB	Universal Access Combo Sink Base	-	F22
FBT_TOP	Furniture Bedside Table Top	-	F36	HCDB	Universal Access Drawer Base Cabinets	B18	F16
FEDB	Furniture Entertainment Drawer Base	-	F36	HCP	Universal Access Pantry Cabinets	C7	-
FEDB_TOP	Furniture Entertainment Drawer Base Top	-	F36	HCP_BD	Universal Access Pantry Butt Door Cabinets	C7, C8	-
FLATM	Flat Molding	D9	H10	HCSB	Universal Access Sink Base Cabinets	B22	F21
HCACB	Universal Access Accessible Base	B24	-	HCSB_BD	Universal Access Butt Door Sink Base Cabinets	B23	-
HCACSB	Universal Access Accessible Sink Base	B24	F23	HCSB_BDFH	Universal Access Sin Base Full Height Butt Door Cabinets	B23	-
HCB	Universal Access Base Cabinets	B16	F14	HCSB_FH	Universal Access Sink Base Full Height Door Cabinets	B22, B23	F21
HCB_BD	Universal Access Base Butt Door Cabinets	B16	-	HCSB_FHRB	Universal Access Full Height Sink Base with Removable Bottom	-	F23
HCB_BDFH	Universal Access Base Full Height Butt Door Cabinets	B17	-	HCSB_RB	Universal Access Sink Base with Removable Bottom	-	F23
HCB_FH	Universal Access Base Full Height Door Cabinets	B17	F15	HCSBC_BD	Universal Access Butt Door Sink Base Combination Cabinets	B23	-
HCB_FHWB	Universal Access Base Full Height Door Wastebasket Pull Out Cabinets	B19	F17	HCTBOX	Universal Access Toe Box Platform	C8	-
HCB_RB	Universal Access Base with Removable Bottom	-	F23	HCTK	Universal Access Toe Kick	D8	-
HCB_WRL	Universal Access Base Lattice Wine Rack	B18	-	HCTKV	Universal Access Toe Kick Veneer	D8	-
HCBB	Universal Access Base Blind Cabinets	B20	-	HVB_FH	Hanging Vanity Base with Full Height Doors	-	F30
HCBB_FH	Universal Access Base Blind Full Height Door Cabinets	B20	F18	HVBS	Hanging Vanity Book Shelf	-	F30
HCBBBS	Universal Access Base Bookshelf	B18	F16	HVDB	Hanging Vanity Two Drawer Base	-	F30
HCBER	Universal Access Base Easy Reach	B21	F19	HVSB_FH	Hanging Vanity Sink Base Full Height Doors	-	F31
HCBL	Universal Access Base Lazy Susan Cabinets	B21	F19	HVSDB	Hanging Vanity Sink Drawer Base	-	F31
HC BMC	Universal Access Base Microwave Cabinets	B21	-	IBP	Inside Back Panel	-	H5
HCB OC	Universal Access Base Oven Cabinet	-	F20	ICM	Inside Molding	D9	H11
HCB OD	Universal Access Base Oven Cabinet with Drawer	-	F20	LC	Linen Cabinets	C4	G6
				LC_BD	Linen Butt Door Cabinets	C4	-

INDEX

SKU	ITEM	FRAMED PAGE #	EURO PAGE#	SKU	ITEM	FRAMED PAGE #	EURO PAGE#
MCR	Medicine Cabinet	A14	-	SHAKERM	Shaker Crown Molding	D10	H11
MWC	Wall Microwave Cabinets	A5	E4	SHBA	Adjustable Shelves Exterior Color	-	H8
MWC_BD	Wall Microwave Butt Door Cabinets.....	A5	-	SHOEM	Shoe Molding	D9	H11
MWS	Microwave Shelves.....	D7	-	SK	End Skin.....	D6	-
				SKT	Skirts	D6	H9
				SP	Stain Pens	D12	H12
				SQ	Stain Quarts	D12	-
				STVAL	Valance.....	D8	H9
OCM	Outside Molding	D9	H10				
OFB	Overlay Front Base	-	H2	TBS	Tall Bookshelf	C3	G5
OFR	Overlay Range Front Return...	-	H3	TBOX	Toe Box Platform.....	C2	G4
OFT	Overlay Front Tall	-	H2	TDE	Tall Decorative End Panels.....	D4	H6
OFW	Overlay Front Wall	-	H2	TK	Toe Kick Overlay	D8	H10
OVD	Oven Cabinets for.....	C5	G7	TKV	Veneer Toe Kick Overlay	D8	-
	Double Oven			TRP	Tall Return Panels.....	D2	H1
OVS	Oven Cabinets for.....	C5	G7				
	Single Oven						
P	Pantry Cabinets	C1	G1, G2	UC	Utility Cabinets	-	G3, G4
P_BD	Pantry Butt Door Cabinets.....	C1, C2	-	UFASHCSB	UFAS Universal Access Sink Base and Insert Cabinets	B24	-
PB	Peninsula Base Cabinets	B9	-	UFASHCSB_FH	UFAS Universal Access Full Height and Insert Cabinets	B24	-
PD(T)	Pencil Drawer Skirts.....	B15	F13	UFASIOHCSB	UFAS Universal Access Sink Base Insert Only.....	B25	F23, F24
PLYL	Long Grain Plywood Panel.....	D1	-	UFASIOSB	UFAS Sink Base Insert Only	B14	F11, F12
PLYS	Short Grain Plywood Panel.....	D1	-	UFASIOV	UFAS Vanity Sink Base Insert Only	B35	F32
PS	Putty Sticks.....	D11	H12	UFASSB	UFAS Sink Base and Insert Cabinets	B13	-
				UFASSB_FH	UFAS Sink Base Full Height and Insert Cabinets.....	B13	-
RCM	Royal Crown Molding	D10	-	UFASV	UFAS Vanity Sink Base and Insert Cabinets	B35	-
ROS	Roll Out Shelf Kit	D7	-	UFASV_FH	UFAS Vanity Full Height Sink Base and Insert	B35	-
				UREP	Universal Refrigerator End Panel.....	D2	-
SB	Sink Base Cabinets	B10	F9				
SB_BD	Sink Base Butt Door Cabinets	B11	-	VACSB	Accessible Vanity Sink Base ...	B35	F32
SB_BDFH	Sink Base Full Height Butt Door Cabinets.....	B11	-	VB	Vanity Base Cabinets.....	B29	F27
SB_FH	Sink Base Full Height Door Cabinets.....	B10, B11	F9	VB_BD	Vanity Base Butt Door Cabinets	B29	-
SB_RB	Sink Base with Removable Bottom	-	F11	VB_BDFH	Vanity Base Full Height Butt Door Cabinets	B28	
SBC_BD	Sink Base Butt Door Combination Cabinets	B12	-				
SBD	Sink Base Diagonal Cabinets	B12	-				
SCM	Scribe Molding	D9	H10				
SHA	Adjustable Shelves Interior Color.....	-	H7				

INDEX

SKU	ITEM	FRAMED PAGE #	EURO PAGE#	SKU	ITEM	FRAMED PAGE #	EURO PAGE#
VB_BDH	Tall Vanity Base Butt Door Cabinets	B29	-	W	Wall Cabinets.....	A1, A2	E1, E2
VB_BDHFH	Tall Vanity Base Full Height Butt Door Cabinets	B28	-	W_BD	Wall Butt Door Cabinets	A3	-
VB_FH	Vanity Base Full Height Door Cabinets.....	B28	F26	W_BDRC	Wall Butt Door with Recessed Bottom Cabinets	A12	-
VB_H	Tall Vanity Base Cabinets	B29	F27	W_RC	Wall Recessed Bottom Cabinets	A10, A11	E8, E9
VB_HFH	Tall Vanity Base Full Height Door Cabinets.....	B28	F26	W_X24	Wall Refrigerator Cabinets	A4	E3
VDB	Vanity Drawer Base Cabinets	B30	F28	W_BDx24	Wall Butt Door Refrigerator Cabinets	A4	-
VS	Vanity Sink Base 16" Deep Cabinet.....	B26	-	WBS	Wall Book Shelf Cabinets.....	A6	E5
VSB	Vanity Sink Base Cabinets	B26	F25	WCP	Wall Cabinet Corner Plug.....	D7	-
VSB_BD	Vanity Butt Door Sink Base Cabinets.....	B27	-	WDE	Wall Decorative End Panels...	D5	H6
VSB_BDH	Tall Butt Door Vanity Sink Bases.....	B27	-	WER	Wall Easy Reach Cabinets	A8	E6
VSB_FHRB	Vanity Sink Base Removable Bottom Full Height Door.....	-	F25	WL	Wall Linen Cabinets.....	A14	E10
VSB_H	Tall Vanity Sink Bases	B26	F25	WL_BD	Wall Linen Butt Door Cabinets	A14	-
VSB_HFHRB	Tall Vanity Sink Base Removable Bottom Full Height Door Cabinets	-	F25	WRL	Wall Lattice Wine Racks	A7	-
				WRP	Wall Return Panels.....	-	H3
				WSC	Wine Storage Cabinet	-	E5



We are building solutions.

www.leedo.com 866.GO LEEDO



©2017 LEEDO CABINETRY PRODSPECS1017

Specifications within this document supersede any previous catalogs. Leedo reserves the right to make specification changes for continued product improvement. All designs and specifications are subject to change without notice as needed due to changes in material availability or manufacturing process changes.

All photography and illustrations in this catalog should be used for inspiration purposes only. The appearance of actual colors or wood grains may vary due to the printed publication process. Customers are urged to view an actual sample for a realistic representation of wood grains and color tones.

Select styles and/or box construction types are KCMA and CARB2 compliant.

Front cover photo: Rockford framed cabinetry in Terra Grey paint.